

# OPEN AIR MERCHANDISERS

## VERTICAL · 35" DEEP · TALL



### EOMV-36-B-35-T

### EOMV Series



#### Refrigeration System

- Bottom mounted, self-contained and fully detachable Blizzard R290 condensing unit uses environmentally friendly, EPA-compliant R290 refrigerant with zero (0) Ozone Depletion Potential (ODP) and three (3) Global Warming Potential (GWP). Blizzard R290 is easily replaceable and requires no on-site brazing.
- Front air intake and rear air discharge design allows side by side installation.
- Electronically commutated (ECM) evaporator fan motors achieve rapid cooling with less energy consumption.
- High performance, auto-reverse condenser fan motor supports compressor ventilation and condenser coil cleaning.
- Large capacity, corrosion-resistant condenser and evaporator coils.
- Self-maintaining, energy-efficient condensate drain pan requires no external drains or electric heaters.
- Pre-wired and ready to plug, 115V/60Hz/1Ph, NEMA 5-20P.

#### Cabinet Construction

- Black modern exterior has moisture-resistant panels and field replaceable tempered glass.
- Heavy-duty stainless steel interior has perforated back wall for efficient air flow. Includes floor drains for ease of cleaning.
- Front stainless steel bumper belt protects against shopping cart impact.
- Galvanized steel top, bottom and rear.
- 2.5" thick high-density polyurethane insulation.
- Integrated retractable night curtain saves energy and provides security.
- 5" swivel casters with locks on front set. Leg stabilizers included.

#### Lighting

- Shielded LED bar lighting under shelves and canopy provide bright, high color illumination at lower heat output. On/off switch saves energy

#### Shelving

- Adjustable by height and angle. Position it flat or slanted downward at 10°.
- Heavy duty stainless steel shelves include price tag moldings.

#### Temperature Control

- Factory preset temperature of 35°F maintains a combined average product temperature of 40°F or less.
- Audible overheat protection alarm for compressor and condenser coil.

#### Recommended Operating Conditions

- Conforms to NSF standard 7 TYPE II designed to operate in an air-conditioned environment where temperature and humidity do not exceed 80°F and 55% respectively.
- Must not be installed near ventilation systems, fans or exterior doors or windows that will disrupt the air curtain.
- Must not be installed in direct sunlight.
- In built-in applications, a distance of 6" is required on the front, back and top exterior for ventilation purposes



| Type | Capacity Cu. Ft. | Shelves | NEMA Plug  | Refrigerant | HP  | Power V-Hz-Ph | Amps | Crated Weight | Exterior Dimensions |        |     |
|------|------------------|---------|------------|-------------|-----|---------------|------|---------------|---------------------|--------|-----|
|      |                  |         |            |             |     |               |      |               | L                   | D      | H*  |
| REF  | 18.2             | 4       | NEMA 5-20P | R-290       | 3/4 | 115-60-1      | 8.53 | 694 lbs       | 37.25"              | 34.25" | 78" |

(†)Based on evaporating temperature of 23°F (-5°C) & condensing temperature of 131°F (55°C). (P) Product capacity is calculated based on standard industry figures. (\*) Reference plan view for clarification on caster/unit height. If dimensions and capacity are critical, please contact Everest Refrigeration. Blizzard R290 replacement is at the sole discretion of Everest Refrigeration. Specifications subject to change without notice.

# OPEN AIR MERCHANDISERS

## VERTICAL · 35" DEEP · TALL



### EOMV-36-B-35-T

### EOMV Series

#### DIMENSIONAL DATA

|                    |          |           |
|--------------------|----------|-----------|
| External Dims.     | L        | 37.25 in. |
|                    | D        | 34.25 in. |
|                    | H*       | 78 in.    |
| Crated Weight      | 694 lbs. |           |
| Doors/Drawers/Lids | -        |           |
| Max Weight Support | -        |           |

#### STORAGE DATA

|                        |      |
|------------------------|------|
| Net Capacity Cu. Ft. † | 18.2 |
| Shelves                | 4    |
| Barrels                | -    |
| 20 oz. Bottles         | -    |
| 12 oz. Bottles         | -    |
| 12 oz. Cans            | -    |
| 8" Mugs                | -    |
| # of Pans (Top)        | -    |
| # of Pans (Drawer)     | -    |
| Dividers               | -    |
| Trays                  | -    |

#### ELECTRICAL DATA

|                      |              |
|----------------------|--------------|
| Voltage              | 115-60-1     |
| Full Load Amperage   | 8.53A        |
| Feed Wires w/ Ground | 3            |
| Cord Length          | 9ft          |
| NEMA Plug Type       | Ⓜ NEMA 5-20P |

#### REFRIGERATION DATA

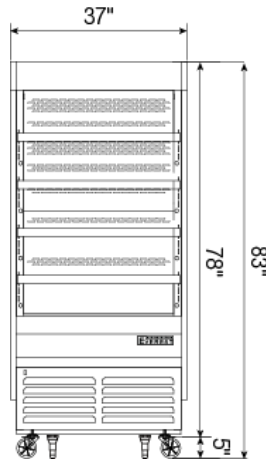
|               |        |
|---------------|--------|
| Compressor    | Bottom |
| Refrigerant   | R-290  |
| Compressor HP | 3/4    |
| BTU/HR †      | 18     |

#### KEY

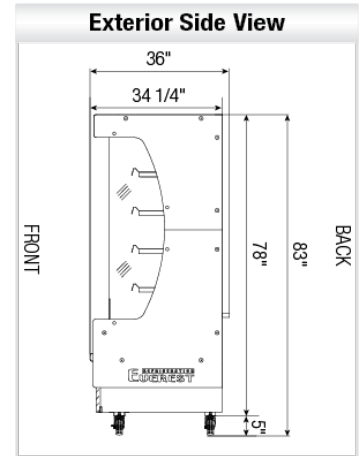
|           |            |             |               |
|-----------|------------|-------------|---------------|
| <b>D</b>  | Door       | <b>R</b>    | Refrigerator  |
| <b>L</b>  | Lid        | <b>REF</b>  | Refrigerator  |
| <b>H</b>  | Half Door  | <b>F</b>    | Freezer       |
| <b>FD</b> | Full Door  | <b>FRZ</b>  | Freezer       |
| <b>SD</b> | Solid Door | <b>DUAL</b> | REF/FRZ Combo |
| <b>GD</b> | Glass Door | <b>DR</b>   | Drawer        |

|  |           |       |      |    |      |
|--|-----------|-------|------|----|------|
|  | Elevation | Right | Plan | 3D | Back |
|  |           |       |      |    |      |

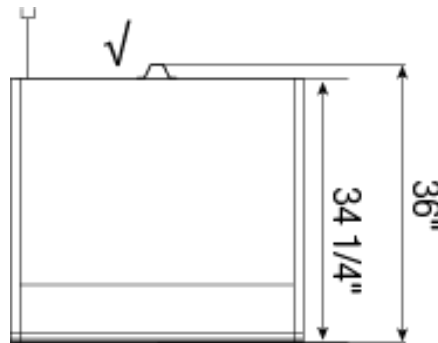
#### PLAN VIEW



FRONT



SIDE



TOP

#### ACCESSORIES & OPTIONS

(†)Based on evaporating temperature of 23°F (-5°C) & condensing temperature of 131°F (55°C). (‡) Product capacity is calculated based on standard industry figures. (\*) Reference plan view for clarification on caster/unit height. If dimensions and capacity are critical, please contact Everest Refrigeration. Blizzard R290 replacement is at the sole discretion of Everest Refrigeration. Specifications subject to change without notice.