

Prepline PSP40 40 lb. Digital Portion Control Scale with LCD Display



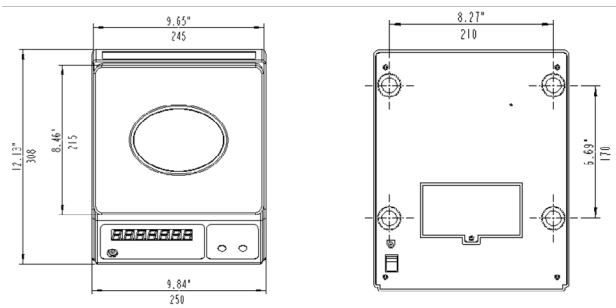
STANDARD FEATURES

- Includes 4xAA batteries and AC adaptor
- Removable stainless steel platform
- Adjustable feet for quick set-up and stability
- High precision measurements
- Easy to read LCD with backlit
- One-step successive Tare feature
- Durable construction

This Prepline scale is a 40 lb. commercial food scale designed for warehouse, shops, stores, delis, bakeries and other establishments. A easy to read LCD screen offers a clear view both the vendor and the customer.



TECHNICAL DIAGRAM



TECHNICAL DATA

| | |
|--------------------|-----------------------------------|
| Exterior Dimension | 12.13" x 9.84" x 4.33" |
| Packing Dimension | 18.11" x 12" x 6" |
| Capacity | 40 lb. x 0.2 oz. / 20 kg x 0.01kg |
| Power | 4xAA batteries/ 9V AC Adapter |
| Tare Range | Up to 100%FS |
| Display | LCD with backlit |
| Platform Size | 9.65" x 8.46" |
| Increments | 0.02oz/0.01kg |
| Controls | 2-Key (Unit/Tare, On/Off/Zero) |
| Body Material | ABS |

USR Brands is a US supplier of premium quality commercial cooking, refrigeration and food preparation equipment. Our aim is simple. Produce industry-leading commercial restaurant equipment at reasonable prices, and back it all up with an easy to understand, no nonsense warranty that people can count on.