

24" Stainless Steel Glass Rack Storage Unit with Corrugated Work Top



STANDARD FEATURES

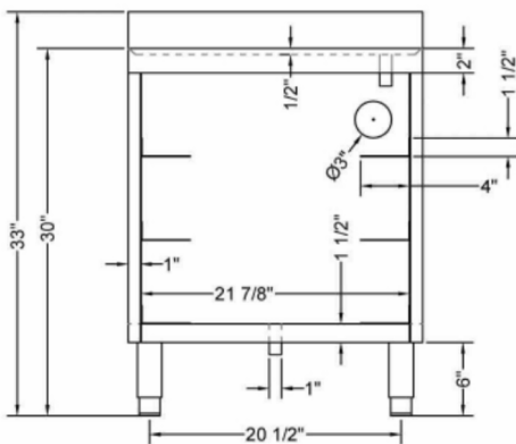
- 1" IPS drain tubing at top and bottom
- 3" back splash
- 6" adjustable bullet feet
- 18 gauge, 304 stainless steel construction
- 3" diameter drain hole in the back panel
- 6 13/16" high sections
- Hold up to 3 full-size racks
- Corrugated top

Keep your glass racks in sanitary conditions and easily accessible with this Prepline 24" stainless steel glass rack storage unit with corrugated work top.

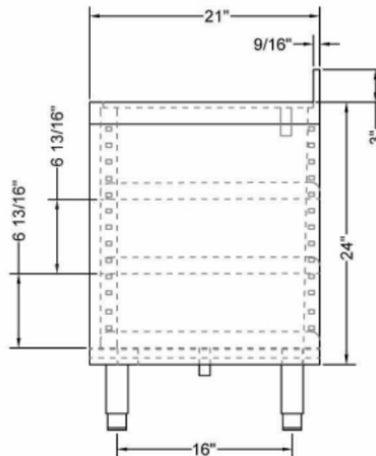
TECHNICAL DATA

Model	Length	Width	Height	Backsplash Height	Surface Height	Gauge	TOP STYLE
GRSU-2124	24"	21"	33"	3"	30"	18	Corrugated

FRONT



SIDE



TOP

