

Electric Steam Tables with Enclosed Door - Open Well



Model : ESTC48-30
Front View



Model : ESTC74-50
Front View

STANDARD FEATURES

- | | |
|--|-------------------------------------|
| Stainless steel structure with individual valves | Stainless steel heating element |
| Enclosed base cabinet with sliding doors | Independent infinite controls |
| Recessed handle on door | Fiberglass insulation between wells |
| Removable 1/2" thick poly cutting board | Adjustable stainless steel feet |

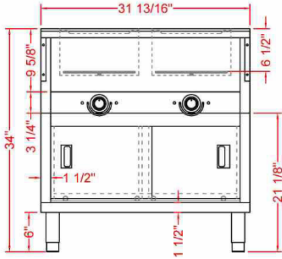
Model	Electrical	Wells	Overall Dimensions(IN)	Temperature	Power	Plug Type	N/W (LB)	N/W (LB)
ESTC30-20	120v/60hz/1ph	2	31.8 x 30.6 x 34.4	212° F	1000w	5-15P	128 lbs.	132 lb.
ESTC48-30	120v/60hz/1ph	3	48 x 30.6 x 34.4	212° F	1500w	5-15P	179 lbs.	183 lbs.
ESTC60-40	208-240v/60hz/1ph	4	60 x 30.6 x 34.4	212° F	3000w	6-20P	220 lbs.	225 lbs.
ESTC74-50	208-240v/60hz/1ph	5	73.8 x 30.6 x 34.4	212° F	3700w	6-20P	265 lbs.	270 lb.

- cETLus
 - ETL Sanitation Listd
- Conforms to UL & NSF Standard

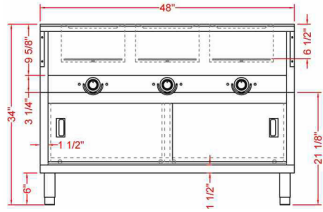


Electric Steam Tables with Enclosed Door - Open Well

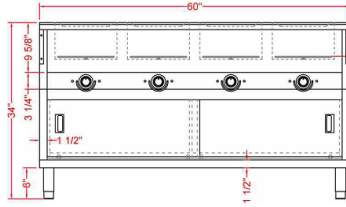
ESTC30-20



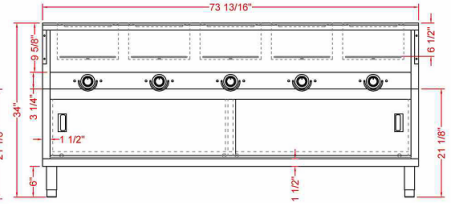
ESTC48-30



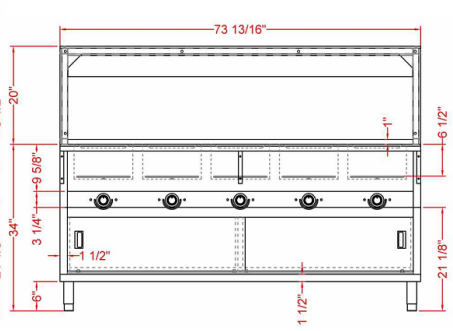
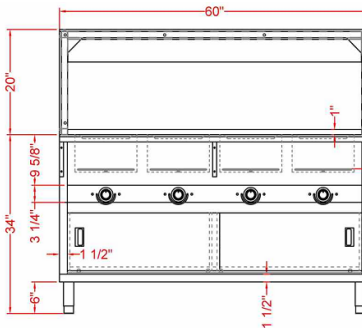
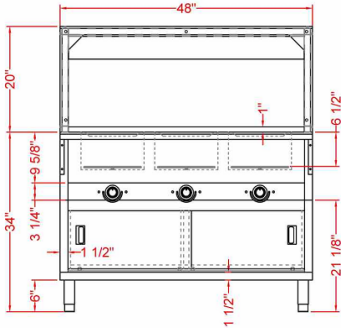
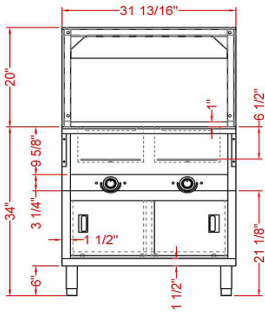
ESTC60-40



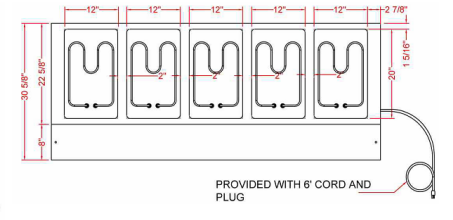
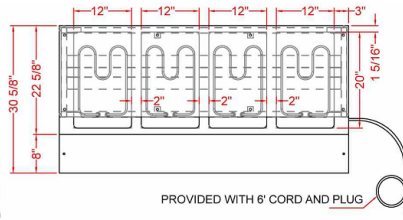
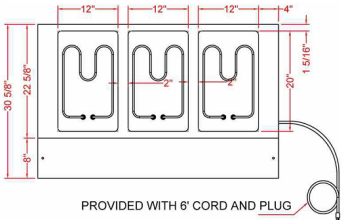
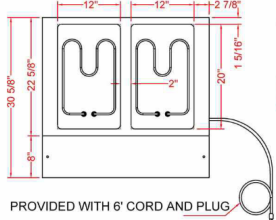
ESTC74-50



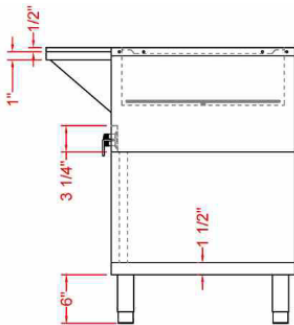
With optional lighted sneeze guard



Top view (Same as with optional sneeze guard)



Side view



Side view with optional lighted sneeze guard

