



CBS-1221 Plus Airpot Brewer



- Three programmable batch buttons
- Batches can easily be turned off or adjusted independently
- Factory preset for plug and play operation
- Simple programming screens for easy adjustment
- Laser welded tank for longer life
- Large tank for faster recovery, 2.66 Gallons
- Dual voltage 120 V or 120/200-240 V available
- Cascading spray dome for more consistent extraction
- USB port to upload or download recipe
- Interchangeable components are accessible from the front
- Gourmet brew baskets available for large coffee volumes

ELECTRICAL

CBS-1221 Plus Single Airpot Brewer

Brewer SKU	Heater Config.	Voltage	Phase	Wires	kW	Electrical Connection	Max Amp Draw	Gallon/Hour	Certification
E1221US-1A117-PM001	1 x 1.7 kW	120	1	2+G	1.8	NEMA 5-15P	14.7	4.4	
E1221US-1X117-PM001	1 x 1.7 kW 1 x 3.2 kW	120 200-240	1	2+G	1.8 2.2-3.3	NEMA 5-15P Terminal Block	14.7 11.2-13.4	4.4 6.0-8.0	

CONFIGURATIONS

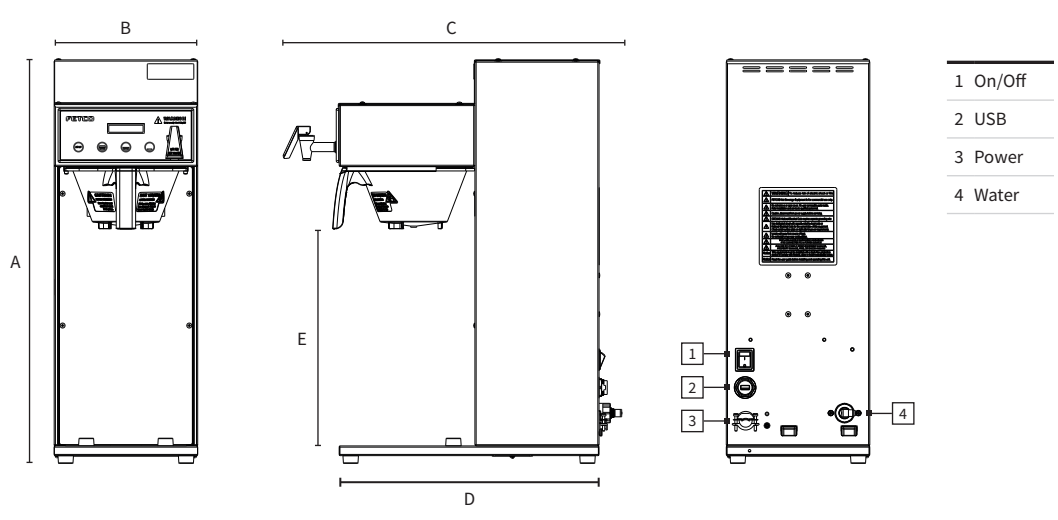
Brewer SKU	Voltage	Description	Coffee Capacity	Filter Size	Filter SKU	Filter/Case
E1221US-1A117-PM001	120	Standard Plastic	3.5 oz/100 g	10 5/8" x 4 1/2"	F008	1000
E1221US-1A117-MM001	120	Standard Metal	3.5 oz/100 g	10 5/8" x 4 1/2"	F008	1000
E1221US-1A117-KM001	120	Large Plastic	6 oz/170 g	13" x 5"	F002	500
E1221US-1A117-LM001	120	Large Metal	6 oz/170 g	13" x 5"	F002	500
E1221US-1X117-PM001	Dual Voltage	Standard Plastic	3.5 oz/100 g	10 5/8" x 4 1/2"	F008	1000
E1221US-1X117-MM001	Dual Voltage	Standard Metal	3.5 oz/100 g	10 5/8" x 4 1/2"	F008	1000
E1221US-1X117-KM001	Dual Voltage	Large Plastic	6 oz/170 g	13" x 5"	F002	500
E1221US-1X117-LM001	Dual Voltage	Large Metal	6 oz/170 g	13 "x 5"	F002	500

WATER				WATER TANK CAPACITY	
Water Inlet	Water Pressure [psig]	Water Pressure [Bar]	Minimum Flow Rate [gpm] / [l/min]	Capacity [gal] / [l]	
1/4" Male Flare	20-75	1.37-5.17	1.50 / 5.68	2.66 / 10.07	

CUPS PER HOUR				
Cup size	8 [oz] / 236 [ml]	12 [oz] / 355 [ml]	16 [oz] / 473 [ml]	20 [oz] / 591 [ml]
No. Cups per hour (1)	128	85	64	51

(1) Cups Per Hour based on maximum power configuration

DIMENSIONS						
CBS-1221 Plus Single Airpot Brewer						
	Height (A)	Width (B)	Depth (C)	Depth (D)	Clearance Small Brew Basket (E)	Clearance Large Brew Basket (E)
Product Dimensions	26.00" 66.04 cm	9.25" 23.50 cm	22.25" 56.52 cm	16.75" 42.55 cm	14.00" 35.56 cm	13.00" 33.02 cm
Shipping Dimensions	31.50" 80.01 cm	13.00" 33.02 cm	24.75" 62.87 cm	N/A	N/A	N/A



WEIGHT		
CBS-1221 Plus Single Airpot Brewer		
	Weight	Filled Weight
Product Weight	29 lbs/13.2 kg	52 lbs/23.6 kg
Shipping Weight	35 lbs/15.9 kg	