



Project _____
 Item # _____
 Quantity _____

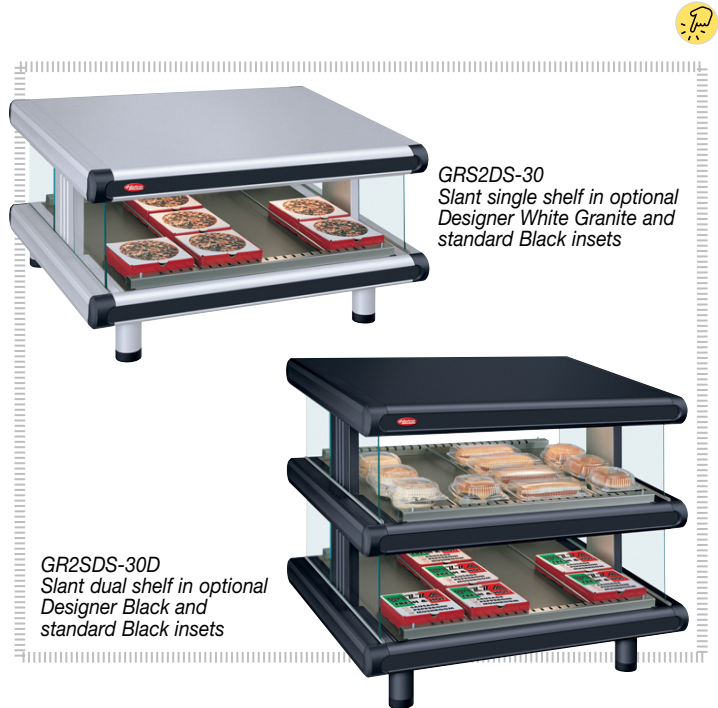
Glo-Ray® Designer Slant Merchandising Display Warmers

Models: GR2SDS-24, -30, -36, -42, -48, -54, -60
 GR2SDS-24D, -30D, -36D, -42D, -48D, -54D, -60D

Hatco's Glo-Ray® Designer Slant Merchandising Display Warmers are designed specifically to hold hot wrapped or boxed product safely, and at proper serving temperatures while enhancing your setting with style and color. With pre-focused infrared top heat and a thermostatically-controlled hardcoated heated base, they excel at extending the holding times of most food, offering the convenience of self-serve and the efficiency of kitchen-to-server holding.

Standard features

- Shelves are slanted for the convenience of self-service
- Models have pre-focused infrared top heat directing heat to the outer edges of the holding surface where heat loss is the greatest
- Thermostatically-controlled, hardcoated heated base has a temperature range of 185°- 200°F (85°- 93°C)
- Coated shatter-resistant incandescent lights enhance product display while safeguarding food products from bulb breakage
- NSF requires units over 36" (914 mm) in width or weighing more than 80 lbs. (36 kg) to be either sealed to the installation surface or raised with the 4" (102 mm) legs included
- Standard units shipped with: tempered glass side panels, a thermostatically controlled heated base, infrared upper heating elements, incandescent lights, product divider rods, 4" (102 mm) legs and a 6' (1829 mm) cord with plug



GRS2DS-30
 Slant single shelf in optional Designer White Granite and standard Black insets

GR2SDS-30D
 Slant dual shelf in optional Designer Black and standard Black insets

Options (available at time of purchase only)

Designer Colors

Non-standard colors are non-returnable – Clear Anodized Aluminum standard

- Warm Red Black Gray Granite White Granite
 Navy Blue Hunter Green Antique Copper

Designer Inset Panel Colors

Non-standard colors are non-returnable – Black standard

- Warm Red Gray Granite White Granite
 Navy Blue Hunter Green Antique Copper

Dark Gray Corner Caps – Non-standard colors are non-returnable – Black standard

- 5" (127 mm) Sneeze Guard on customer side only
 Plexi-Glass Flip Up Doors (split-door on models G2SDS-48 and larger)
 60 Watt Halogen Bulb in lieu of Standard Display Light (not available on export voltages)
 Indicating Temperature Control (LED) (adds 1 7/8" [48 mm] to unit depth)

Accessories

- Stainless Steel Rods
 Flip-up Control Cover

Chef LED (Bulbs must be rotated down)

- 120V: 2700K similar to warm incandescent
 3000K similar to warm halogen
 4000K similar to cool fluorescent
 230V: 2700K similar to warm incandescent
 3000K similar to warm halogen
 4000K similar to cool fluorescent

IFS anti-microbial coatings use naturally-occurring, environmentally sustainable, silver ions to help inhibit the growth of microbes on the powder coated surface. See www.hatcocorp.com/antimicrobial-paint for more information.

For operation, location and safety information, please refer to the Installation and Operating Manual.



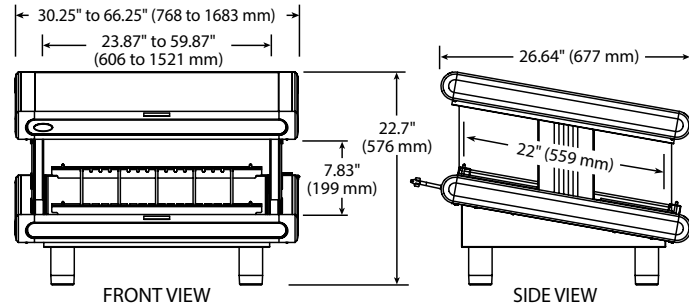


Glo-Ray® Designer Slant Merchandising Display Warmers

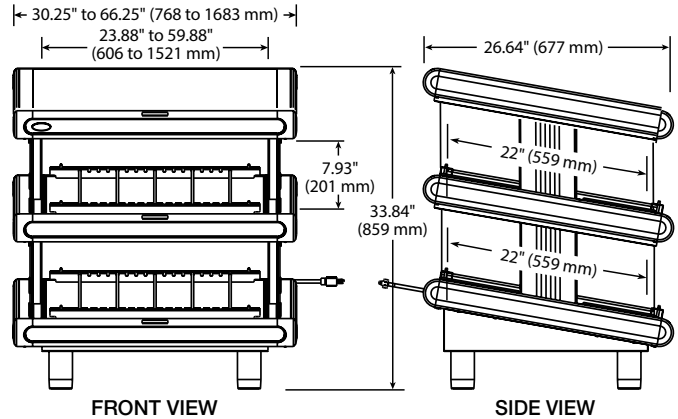
Models: GR2SDS-24, -30, -36, -42, -48, -54, -60

GR2SDS-24D, -30D, -36D, -42D, -48D, -54D, -60D

SLANT SINGLE SHELF



SLANT DUAL SHELF



SPECIFICATIONS

Single Shelf – SLANT MERCHANDISING DISPLAY WARMERS

The shaded areas contain electrical information for International models

| Model | No. of Bulbs, Divider Rods | Dimensions (W x D x H) includes legs | Usable Heated Shelf Space (W x D) | Average Chute Width | Volts | Watts | Amps | Plug | Ship Weight* |
|-----------|----------------------------|---|-----------------------------------|---------------------|--------------|-----------|----------|-------------------------|------------------|
| GR2SDS-24 | 2, 5 | 30.25" x 26.64" x 22.7" (768 x 677 x 576 mm) | 23.87" x 22" (606 x 559 mm) | 3.73" (95 mm) | 120 | 820 | 6.8 | NEMA 5-15P | 102 lbs. (46 kg) |
| | | | | | 220 | 800 | 3.6 | CEE 7/7 Schuko, BS-1363 | |
| | | | | | 240 | 820 | 3.4 | BS-1363, AS 3112 | |
| | | | | | 220-230 (CE) | 800-875 | 3.6-3.8 | CEE 7/7 Schuko, BS-1363 | |
| | | | | | 230-240 (CE) | 753-820 | 3.3-3.4 | BS-1363 | |
| GR2SDS-30 | 2, 6 | 36.25" x 26.64" x 22.7" (921 x 677 x 576 mm) | 29.87" x 22" (759 x 559 mm) | 4.02" (102 mm) | 120 | 1020 | 8.5 | NEMA 5-15P | 110 lbs. (50 kg) |
| | | | | | 220 | 1000 | 4.5 | CEE 7/7 Schuko, BS-1363 | |
| | | | | | 240 | 1020 | 4.3 | BS-1363, AS 3112 | |
| | | | | | 220-230 (CE) | 1000-1093 | 4.5-4.8 | CEE 7/7 Schuko, BS-1363 | |
| | | | | | 230-240 (CE) | 937-1020 | 4.1-4.3 | BS-1363 | |
| GR2SDS-36 | 2, 7 | 42.25" x 26.64" x 22.7" (1073 x 677 x 576 mm) | 35.87" x 22" (911 x 559 mm) | 4.23" (107 mm) | 120 | 1220 | 10.2 | NEMA 5-15P | 136 lbs. (62 kg) |
| | | | | | 220 | 1200 | 5.5 | CEE 7/7 Schuko, BS-1363 | |
| | | | | | 240 | 1220 | 5.1 | BS-1363, AS 3112 | |
| | | | | | 220-230 (CE) | 1200-1312 | 5.5-5.7 | CEE 7/7 Schuko, BS-1363 | |
| | | | | | 230-240 (CE) | 1120-1220 | 4.9-5.1 | BS-1363 | |
| GR2SDS-42 | 4, 8 | 48.25" x 26.64" x 22.7" (1226 x 677 x 576 mm) | 41.87" x 22" (1064 x 559 mm) | 4.40" (111 mm) | 120 | 1490 | 12.4 | NEMA 5-15P [▲] | 155 lbs. (70 kg) |
| | | | | | 220 | 1450 | 6.6 | CEE 7/7 Schuko, BS-1363 | |
| | | | | | 240 | 1490 | 6.2 | BS-1363, AS 3112 | |
| | | | | | 220-230 (CE) | 1450-1585 | 6.6-6.9 | CEE 7/7 Schuko, BS-1363 | |
| | | | | | 230-240 (CE) | 1368-1490 | 6.0-6.2 | BS-1363 | |
| GR2SDS-48 | 4, 9 | 54.25" x 26.64" x 22.7" (1378 x 677 x 576 mm) | 47.87" x 22" (1216 x 559 mm) | 4.54" (115 mm) | 120 | 1690 | 14.1 | NEMA 5-15P [▲] | 164 lbs. (75 kg) |
| | | | | | 220 | 1650 | 7.5 | CEE 7/7 Schuko, BS-1363 | |
| | | | | | 240 | 1690 | 7.1 | BS-1363, AS 3112 | |
| | | | | | 220-230 (CE) | 1650-1804 | 7.5-7.8 | CEE 7/7 Schuko, BS-1363 | |
| | | | | | 230-240 (CE) | 1552-1690 | 6.8-7.1 | BS-1363 | |
| GR2SDS-54 | 4, 10 | 60.25" x 26.64" x 22.7" (1530 x 677 x 576 mm) | 53.87" x 22" (1368 x 559 mm) | 4.65" (118 mm) | 120 | 1890 | 15.8 | NEMA 5-20P | 182 lbs. (83 kg) |
| | | | | | 220 | 1850 | 8.4 | CEE 7/7 Schuko, BS-1363 | |
| | | | | | 240 | 1890 | 7.9 | BS-1363, AS 3112 | |
| | | | | | 220-230 (CE) | 1850-2022 | 8.4-8.8 | CEE 7/7 Schuko, BS-1363 | |
| | | | | | 230-240 (CE) | 1736-1890 | 7.6-7.9 | BS-1363 | |
| GR2SDS-60 | 6, 12 | 66.25" x 26.64" x 22.7" (1683 x 677 x 576 mm) | 59.87" x 22" (1521 x 559 mm) | 4.36" (110 mm) | 120 | 2210 | 18.4 | NEMA 5-30P | 202 lbs. (92 kg) |
| | | | | | 220 | 2150 | 9.8 | CEE 7/7 Schuko, BS-1363 | |
| | | | | | 240 | 2210 | 9.2 | BS-1363, AS 3112 | |
| | | | | | 220-230 (CE) | 2150-2350 | 9.8-10.2 | CEE 7/7 Schuko, BS-1363 | |
| | | | | | 230-240 (CE) | 2030-2210 | 8.8-9.2 | BS-1363 | |

* Shipping weight includes packaging.

▲ Canadian models use NEMA 5-20P.

HATCO CORPORATION

P.O. Box 340500 Milwaukee, WI 53234-0500 U.S.A. | (414) 671-6350



www.hatcocorp.com

support@hatcocorp.com

[Find a Hatco Rep](#)

[Image Library](#)

[Document Library](#)

[Patents](#)

[Chat](#)



Glo-Ray® Designer Slant Merchandising Display Warmers

Models: GR2SDS-24, -30, -36, -42, -48, -54, -60
GR2SDS-24D, -30D, -36D, -42D, -48D, -54D, -60D

SPECIFICATIONS

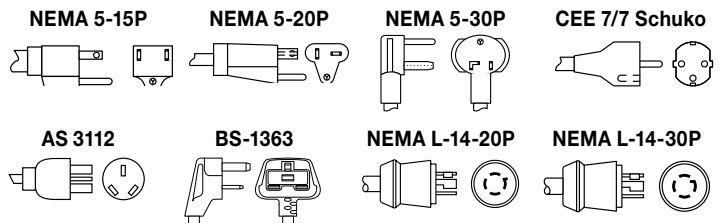
Dual Shelf — SLANT MERCHANDISING DISPLAY WARMERS

The shaded areas contain electrical information for International models

| Model | No. of Bulbs, Divider Rods | Dimensions (W x D x H) includes legs | Usable Heated Shelf Space (W x D) | Average Chute Width | Volts | Watts | Amps | Plug | Ship Weight* |
|------------|----------------------------|---|-----------------------------------|---------------------|--------------|-----------|-----------|-------------------------|----------------------|
| GR2SDS-24D | 4, 10 | 30.25" x 26.64" x 33.84" (768 x 677 x 859 mm) | 23.87" x 22" (606 x 559 mm) | 3.73" (95 mm) | 120 | 1640 | 13.7 | NEMA 5-15P [▲] | 160 lbs. (73 kg) |
| | | | | | 220 | 1600 | 7.3 | CEE 7/7 Schuko, BS-1363 | |
| | | | | | 240 | 1640 | 6.8 | BS-1363, AS 3112 | |
| | | | | | 220-230 (CE) | 1600-1749 | 7.3-7.6 | CEE 7/7 Schuko, BS-1363 | |
| | | | | | 230-240 (CE) | 1506-1640 | 6.6-6.8 | BS-1363 | |
| GR2SDS-30D | 4, 12 | 36.25" x 26.64" x 33.84" (921 x 677 x 859 mm) | 29.87" x 22" (759 x 559 mm) | 4.02" (102 mm) | 120/208 | 2040 | 8.5 | NEMA L14-20P | 184 lbs. (84 kg) |
| | | | | | 120/240 | 2040 | 8.5 | NEMA L14-20P | |
| | | | | | 220 | 2000 | 9.1 | CEE 7/7 Schuko, BS-1363 | |
| | | | | | 240 | 2040 | 8.5 | BS-1363, AS 3112 | |
| | | | | | 220-230 (CE) | 2000-2186 | 9.1-9.5 | CEE 7/7 Schuko, BS-1363 | |
| GR2SDS-36D | 4, 14 | 42.25" x 26.64" x 33.84" (1073 x 677 x 859 mm) | 35.87" x 22" (911 x 559 mm) | 4.23" (107 mm) | 120/208 | 2440 | 10.2 | NEMA L14-20P | 200 lbs. (91 kg) |
| | | | | | 120/240 | 2440 | 10.2 | NEMA L14-20P | |
| | | | | | 220 | 2400 | 10.9 | CEE 7/7 Schuko, BS-1363 | |
| | | | | | 240 | 2440 | 10.2 | BS-1363, AS 3112 | |
| | | | | | 220-230 (CE) | 2400-2623 | 10.9-11.4 | CEE 7/7 Schuko, BS-1363 | |
| GR2SDS-42D | 8, 16 | 48.25" x 26.64" x 33.84" (1226 x 677 x 859 mm) | 41.87" x 22" (1064 x 559 mm) | 4.40" (111 mm) | 120/208 | 2980 | 12.4 | NEMA L14-20P | 218 lbs. (99 kg) |
| | | | | | 120/240 | 2980 | 12.4 | NEMA L14-20P | |
| | | | | | 220 | 2900 | 13.2 | CEE 7/7 Schuko, No Plug | |
| | | | | | 240 | 2980 | 12.4 | BS-1363, AS 3112 | |
| | | | | | 220-230 (CE) | 2900-3170 | 13.2-13.8 | CEE 7/7 Schuko, No Plug | |
| GR2SDS-48D | 8, 18 | 54.25" x 26.64" x 33.84" (1378 x 677 x 859 mm) | 47.87" x 22" (1216 x 559 mm) | 4.54" (115 mm) | 120/208 | 3380 | 14.1 | NEMA L14-20P | 255 lbs. (116 kg) |
| | | | | | 120/240 | 3380 | 14.1 | NEMA L14-20P | |
| | | | | | 220 | 3300 | 15.0 | CEE 7/7 Schuko, No Plug | |
| | | | | | 240 | 3380 | 14.1 | AS 3112, No Plug | |
| | | | | | 220-230 (CE) | 3300-3607 | 15.0-15.7 | CEE 7/7 Schuko, No Plug | |
| GR2SDS-54D | 8, 20 | 60.25" x 26.64" x 33.84" (1530 x 677 x 859 mm) | 53.87" x 22" (1368 x 559 mm) | 4.65" (118 mm) | 120/208 | 3780 | 15.8 | NEMA L14-20P | 265 lbs. (120 kg) |
| | | | | | 120/240 | 3780 | 15.8 | NEMA L14-20P | |
| | | | | | 220 | 3700 | 16.8 | No Plug | |
| | | | | | 240 | 3780 | 15.8 | No Plug | |
| | | | | | 220-230 (CE) | 3700-4044 | 16.8-17.6 | No Plug | |
| GR2SDS-60D | 12, 24 | 66.25" x 26.64" x 33.84" (1683 x 677 x 859 mm) | 59.87" x 22" (1521 x 559 mm) | 4.36" (110 mm) | 120/208 | 4420 | 18.4 | NEMA L14-30P | 296 lbs. (135 kg) |
| | | | | | 120/240 | 4420 | 18.4 | NEMA L14-30P | |
| | | | | | 220 | 4300 | 19.6 | No Plug | |
| | | | | | 240 | 4420 | 18.4 | No Plug | |
| | | | | | 220-230 (CE) | 4300-4700 | 19.6-20.4 | No Plug | |
| | | | | | 230-240 (CE) | 4049-4420 | 17.6-18.4 | No Plug | |

* Shipping weight includes packaging.
▲ Canadian models use NEMA 5-20P.

PLUG CONFIGURATIONS



CORD LOCATION

Back of unit, top right side.

PRODUCT SPECS

Glo-Ray® Designer Slant Merchandising Warmers

The Designer Merchandising Warmer shall be a Glo-Ray® Model ... as manufactured by the Hatco Corporation, Milwaukee, WI 53234 U.S.A.

The warmer shall be rated at ... watts, ... volts, and be ... inches (millimeters) in overall width. It shall consist of a thermostatically-controlled hardcoated heated base, infrared heat from above, full view tempered glass sides, adjustable divider rods, Designer color inser panels and incandescent display lights. The infrared heating

element shall be tubular metal sheathed and the warmer shall have a 6' (1829 mm) cord with plug attached.

Accessories shall include control covers, Chef LED Bulbs and additional stainless steel dividers rods.

Warranty consists of 24/7 parts and service assistance (US and Canada only).

HATCO CORPORATION

P.O. Box 340500 Milwaukee, WI 53234-0500 U.S.A. | (414) 671-6350



www.hatcocorp.com

support@hatcocorp.com

[Find a Hatco Rep](#)

[Image Library](#)

[Document Library](#)

[Patents](#)

[Chat](#)