



1415

Countertop Electric Deck Oven



OPTIONS AND ACCESSORIES

(AT ADDITIONAL CHARGE)

- Stacking kit
- 4" legs with adjustable sanitary feet

Project _____

Item No. _____

Quantity _____

Ovens consist of basic sections and are a complete and separate unit capable of operating alone or in combination. All data is shown per oven section, unless otherwise indicated.

Refer to operator manual specification chart for listed model names.

EXTERIOR CONSTRUCTION

- Stainless steel front, top and sides
- Aluminized steel back and bottom
- Drop down type doors
- 1" high-temperature mineral fiber sheet insulation on top, back, sides and bottom

INTERIOR CONSTRUCTION

- 20" x 20" x 9" (508mm x 508mm x 229mm) oven compartment interior
- Aluminized steel baking compartment liner
- Cordierite oven deck
- No. 16 gauge aluminized steel heater shelf assemblies

OPERATION

- 3 tubular type heaters (208 or 240 VAC) 3750 total watts
- Thermostat actuated contactor heater control
- Solid state digital display control with temperature range of 150° to 500°F (66° to 260°C) and a maximum 12 hour timer with audible alarm

STANDARD FEATURES

- Two year parts and one year labor warranty
-
- Five year limited oven door warranty*

** For all international markets, contact your local distributor.*

NOTE: The company reserves the right to make substitutions of components without prior notice

1415 COUNTERTOP DECK

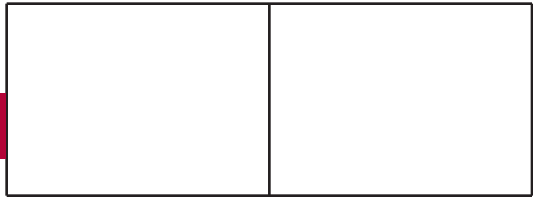


www.blodgett.com

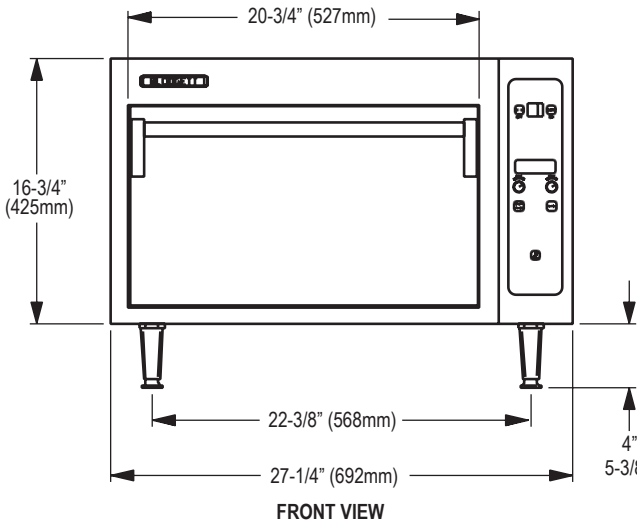
42 Allen Martin Drive, Essex Junction, VT 05452
Phone: (802) 658-6600 | Fax: (802) 864-0183



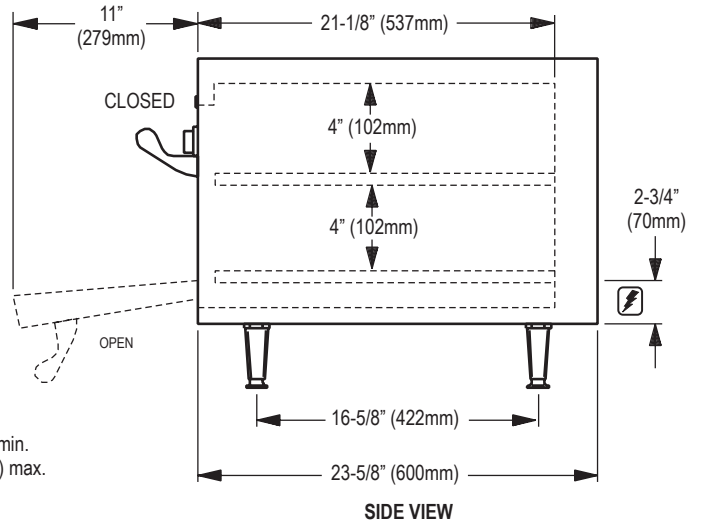
1415 ELECTRIC DECK OVEN



APPROVAL/STAMP



FRONT VIEW



SIDE VIEW

DIMENSIONS

Counter space 27-3/8" x 23-11/16" (695mm x 602mm)
 Cooking Compartment (per section)
 Size 20" x 20" x 9" (508mm x 508mm x 229mm)

SECTION DETAILS

	Single	Double
Number of section	1	2
Number of controls	1	2
Number of compartments	1	2

POWER SUPPLY (per section)

VAC	Hz	Phase	kW	Amps (L1-L2-L3)
208	60	1	3.75	18-0-18
208	60	3	3.75	11-11-11
220/240	60	1	3.75	17-0-17
220/240	60	3	3.75	10-10-10
220/240	50	1	3.75	17-0-17

MAXIMUM INPUT

3.75 kW

MINIMUM ENTRY CLEARANCE

Uncrated 17" (431mm)
 Crated 26" (660mm)

SHIPPING INFORMATION

Approx. Weight

Single 270 lbs. (122kg)
 Double 540 lbs. (245kg)

Crate Size

33" (838mm) 36" (914mm) 35" (889mm)
 (2 crates required for double)