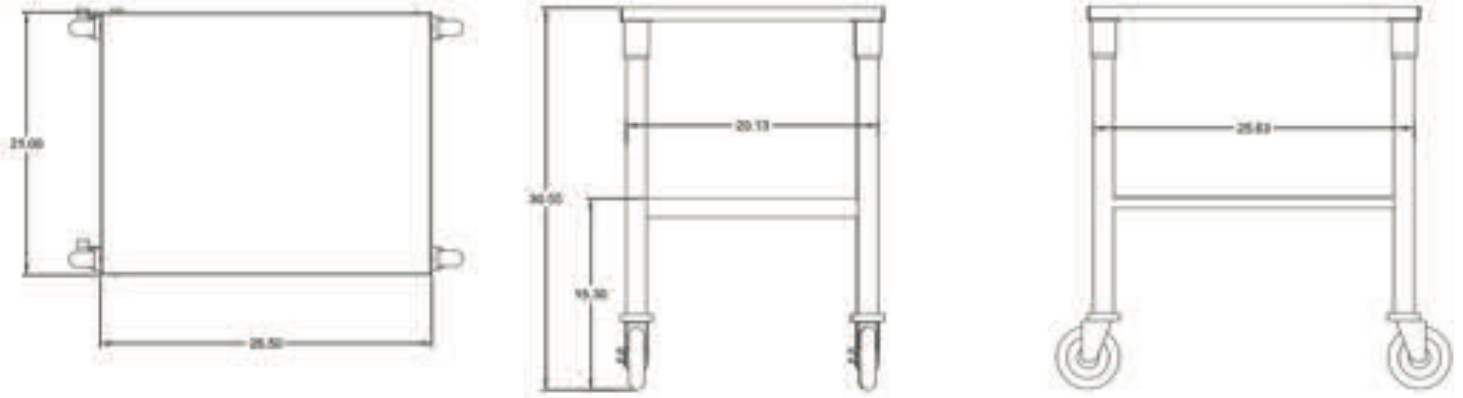


Utility Cart - 30"

UT1330



Equipment Details

Shipping Weight	65lbs/29kg
Cart Weight	43lbs/19.5kg
Caster Wheel Locks	Yes
Material	Stainless Steel
Tools for Assembly Required	No



Easy Dough Press Movement

The UT1330 utility cart has been specifically designed for our line of dough presses. It features 30" height, pre-drilled mounting holes to bolt your unit down for safety. Easy gliding casters allow you to move over thresholds and across carpeting.

Utility Cart
UT1330



Heavy Duty Casters

Easy gliding casters allow you to move the unit for cleaning and quickly lock to hold the cart securely.



HEAVY DUTY CASTER WHEELS



STAINLESS STEEL CONSTRUCTION



EASY CLEANING