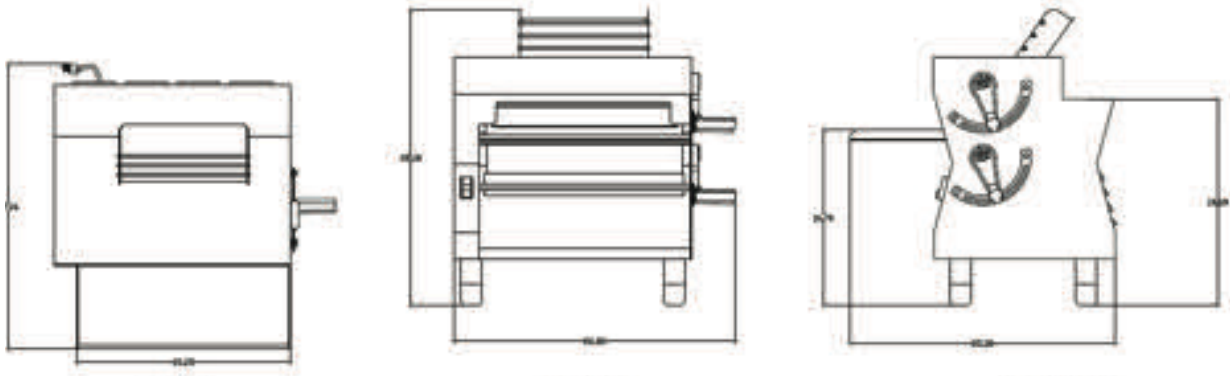


# DPR3000

## TWO PASS DOUGH ROLLER



TOP VIEW

FRONT VIEW

SIDE VIEW

### Equipment Details

|                   |           |                 |                        |
|-------------------|-----------|-----------------|------------------------|
| Bearings          | Sealed    | Rollers         | Synthetic or Stainless |
| Motor             | 3/4 Hp    | Shipping Weight | 219lbs/99kg            |
| Finish            | Stainless | Machine Weight  | 180lbs/81kg            |
| Thickness Control | Yes       | Voltage         | 115/240                |
| ON/OFF Switch     | Yes       | Amps            | 8.80/4.40              |
| Power Cord Length | 72"       | NEMA Plug       | 5-15P/6-15P            |



# PROLUXE™

PROLUXE.COM

## Reduce Prep Time

This versatile unit is perfect for sheeting all types of dough including pie crusts, tortillas, pizza dough, pitas, and more. This counter-top dough roller features a dual pass design for fewer runs through the machine and a consistent product.



DPR3000

Two Pass Dough Roller



## More Efficient

A single operator can roll out up to 250 pieces per hour. A simple "on/off" provides easy operation, and rubber non-skid legs ensure the unit stays securely in place during use.



250+ PRODUCTS PER HOUR



THICKNESS CONTROL - 1/16" TO 5/8"



HIGH PRODUCTION



PRODUCT VERSATILITY