



Four Compartment

Stainless Steel Compartment Sinks



Use your smart phone to scan the above QR code to visit our website:
www.bk-resources.com

Certifications:



Features:

- 18" Drainboards
- Accommodates 8" On Center Faucets
- Drains Included
- 9 3/4" Backsplash

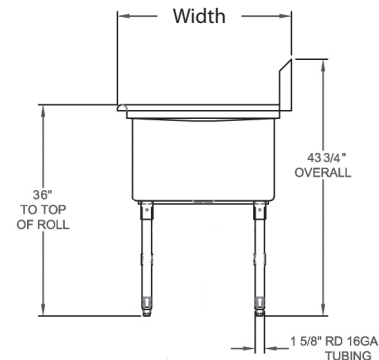
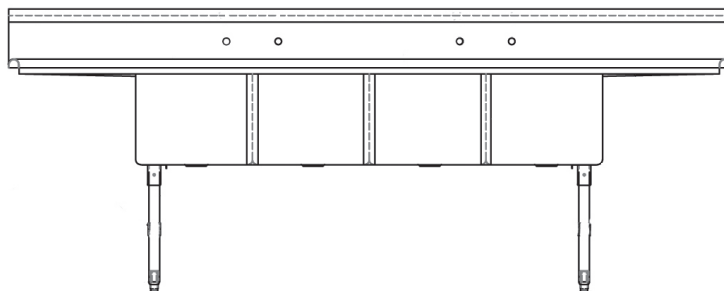
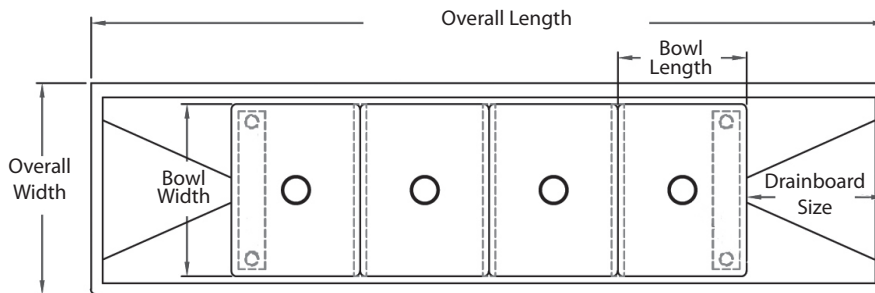
Material:

- T-304 18 ga. Stainless Steel Deck & Bowls
- 1 5/8" Galvanized Legs
- Adjustable High Impact Corrosion Resistant Feet

Options:

- Pre-Rinse Units & Faucets
- Lever Drains
- Upgraded Bullet Feet
- Upgrade to S/S Legs & Bracing

Part Number	Overall Dim. (l x w)	Bowl Dim. (l x w x d)	Sets of Faucet Holes	Drainboard Size	Product Weight (lbs)
BKS-4-1620-14-18T	100" x 25 13/16"	16" x 20" x 14"	2	18"	111.00



PRODUCT DATA SHEET

BK RESOURCES





Three Compartment - No Drainboards

Stainless Steel Compartment Sinks

PRODUCT DATA SHEET

RESOURCES

