



# N1322 - 1300lb Nugget Ice Machine

Prodigy Plus® Nugget Ice Machine



## Features & Benefits

- Available in softer, Original Chewable Nugget Ice or harder, H<sup>2</sup> Nugget Ice
- Sealed, maintenance-free bearings for reduced preventative maintenance and long-lasting performance
- Stainless steel evaporator and auger for maximum durability
- AutoAlert™ indicator lights for better visibility
- Operational footprint among the industry's smallest
- Unit specific QR code for quick access to service manuals, cleaning guides and warranty history
- Front-breathing - No side clearance required for flexible placement
- Smart-Board™ advanced feature module available for additional diagnostic capabilities
- Optional Vari-Smart™ ice level control allows operators to customize ice levels
- Antimicrobial protection guards internal surfaces between cleanings
- Sealed refrigeration system minimizes outside airborne contamination
- Inherently more energy and water efficient than cube machines



## 24 Hour Volume Production

### Original Chewable Nugget

Air Cooled		Remote Cooled		Water Cooled	
70°F/21°C	Air	90°F/32°C	70°F/21°C	Air	90°F/32°C
50°F/10°C	Water	70°F/21°C	50°F/10°C	Water	70°F/21°C
1385/628		990/449	1360/617	1061/481	1513/686
lb/kg		lb/kg	lb/kg	lb/kg	lb/kg



## 24 Hour Volume Production

### H<sup>2</sup> Nugget

Air Cooled		Remote Cooled		Water Cooled	
70°F/21°C	Air	90°F/32°C	70°F/21°C	Air	90°F/32°C
50°F/10°C	Water	70°F/21°C	50°F/10°C	Water	70°F/21°C
1186/537		944/428	1191/540	1016/461	1242/563
lb/kg		lb/kg	lb/kg	lb/kg	lb/kg



Sealed, maintenance-free bearings ensure maximum reliability and contribute to a long machine life



Available in softer, Original Chewable Nugget Ice or harder, H<sup>2</sup> Nugget Ice



## Modular Bin & Dispenser Options

Model Number*	Dimensions W" x D" x H"	Bin Application		Ship Weight lb/kg
		Capacity lb/kg	Finish	
B948S	48 x 34 x 44**	893/406	Metallic	209/95
BH1100BB-A	48 x 34 x 50**	1100/499	SS w/ GBB†	280/127
BH1100SS-A	48 x 34 x 50**	1100/499	Stainless Steel	280/127
BH1300BB-A	60 x 34 x 50**	1400/635	SS w/ GBB†	310/141
BH1300SS-A	60 x 34 x 50**	1400/635	Stainless Steel	310/141
BH1600BB-A	60 x 34 x 62**	1755/796	SS w/ GBB†	370/168
BH1600SS-A	60 x 34 x 62**	1755/796	Stainless Steel	370/168

\*Contact Scotsman for bin top requirements. \*\*Add 6" Height for bin legs.  
† Stainless steel with galvanized back & bottom.



## Nugget Ice

**Original Chewable Nugget**  
Ice Hardness Rating\*: Soft = 74%  
Dimensions: 7/16" x 5/16" x 3/8"

**H<sup>2</sup> Nugget**  
Ice Hardness Rating\*: Hard = 86%  
Dimensions: 3/4" x 5/16" x 3/8"

\*Approximation, values may vary by model



## Certification



## Warranty

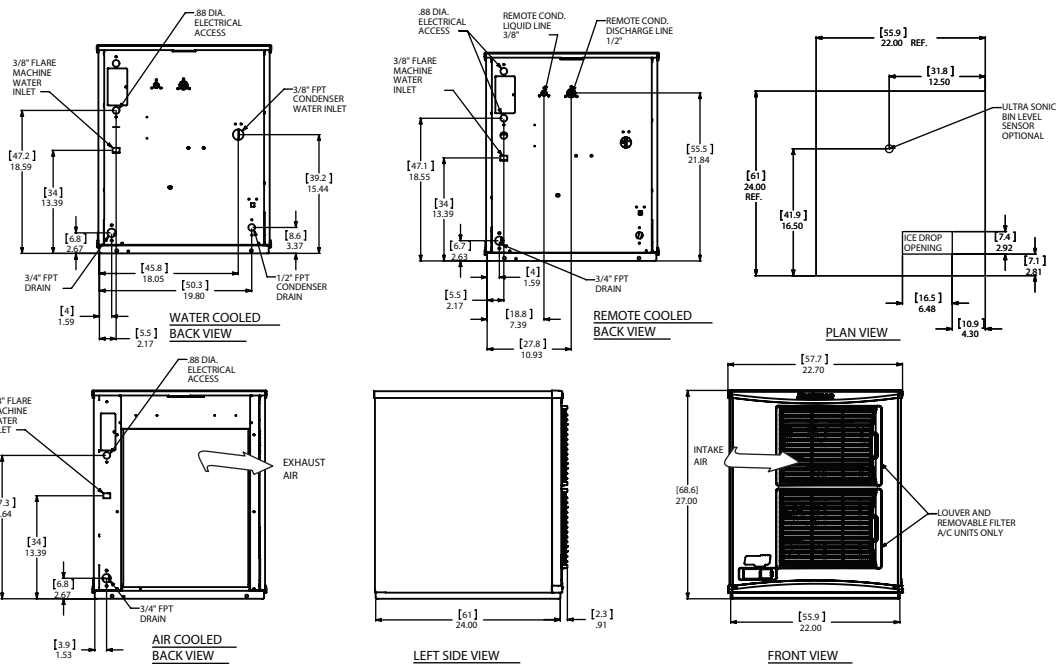
- 3 years parts and labor on all components.
- 5 years parts on the compressor.
- Warranty valid in North, South & Central America for commercial installations.
- Contact factory for warranty in other regions.
- Residential Applications: 1 year parts and labor



N1322 - 1300lb Nugget Ice Machine

# N1322 - 1300lb Nugget Ice Machine

## Prodigy Plus® Nugget Ice Machine



### Specifications

Model Number Nugget Type: Soft or Hard	Condenser Unit	Basic Electrical Volts/Hz/Phase	Max. Fuse Size or HACR Circuit Breaker (amps)	Circuit Wires	Min. Circuit Ampacity	Energy Consumption kWh/100 lb (45.4 kg) 90°F(32°C)/70°F(21°C)	Water Usage Gallons/100 lb (liters/45.4 kg)		Energy Star	
							Potable 90°F(32°C)/70°F(21°C)	Condenser 90°F(32°C)/70°F(21°C)		
soft	NS1322A-32	Air	208-230/60/1	20	2	17.8	4.04	12.0/45.5	-	✓
	NS1322R-32	Remote	208-230/60/1	20	2	17.6	3.92	12.0/45.5	-	
	NS1322W-32	Water	208-230/60/1	20	2	16.6	3.19	12.0/45.5	78/295.3	
	NS1322W-3	Water	208-230/60/3	15	3	9.9	3.19	12.0/45.5	78/295.3	
hard	NH1322A-32	Air	208-230/60/1	20	2	17.8	4.35	12.0/45.5	-	
	NH1322R-32	Remote	208-230/60/1	20	2	17.6	4.16	12.0/45.5	-	
	NH1322W-32	Water	208-230/60/1	20	2	16.6	3.11	12.0/45.5	87/329.3	
	NH1322W-3	Water	208-230/60/3	15	3	9.9	3.11	12.0/45.5	87/329.3	



### All Models

#### Dimensions (W x D x H):

Unit: **Individual**  
22" x 24" x 27"  
(55.9 x 61.0 x 68.6 cm)

**Side by Side**  
44" x 24" x 27"  
(111.8 x 61.0 x 68.6 cm)

Shipping Carton: 25.5" x 27.5" x 32.5"  
(64.8 x 69.9 x 82.6 cm)

Shipping Weight: 225 lb / 102 kg

BTUs per hour: 16,000

Refrigerant: R-404A



### Accessories

Model Number	Description
KVS	Vari-Smart™ Ice Level Control - Program ice bin levels to match ice needs.
KSBU	Smart-Board™ Advanced Control - Use additional operational data for fast diagnosis.
KSBU-N	Smart-Board™ Advanced Control with Network - Network capable.
ERC311-32	Remote condenser for N1322R, 208-230V/60/1
BRTE10	Line set, 10ft, brazing required.
BRTE25	Line set, 25ft, brazing required.
BRTE40	Line set, 40ft, brazing required.
BRTE75	Line set, 75ft, brazing required.
KPAS	Prodigy Advanced Sustainability Kit - Includes KVS and KSBU - N

Scotsman recommends all ice machines have water filtration. See Scotsman water filter specification sheet for details.



### Operating Requirements

	Minimum	Maximum
Air Temperatures	50°F (10°C)	100°F (38°C)
Water Temperatures	40°F (4.4°C)	100°F (38°C)
Remote Cond. Temps	-20°F (-29°C)	120°F (49°C)
Water Pressures	20 PSIG (1.4 bar)	80 PSIG (5.5 bar)
Electrical Voltage	-5%	+10%

Specifications and design are subject to change without notice.

an Ali Group Company