



PANINI XL

CONCEPT

ELECTRIC 14" SQUARE PANINI PRESSES

*When bigger is better ...
PANINI XL is the choice*

- Fine grain cast iron grooved, smooth and mixed plates
- 14"x14" work surface with even heat distribution
- Rapid grilling with powerful heating elements
- Unique 2 in 1 cooking solution
 - *Selector switch for panini press or bottom plate only operations
- Thermostatically controlled up to 570°F
- Adjustable spring counter balanced top
- Detachable 2-position front drip tray and scraper
- Heavy duty stainless steel base for lasting service
- 4" high adjustable legs included

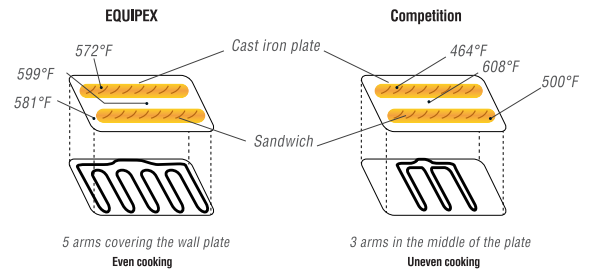


208/240 V

120 V

OPTIONS:

- * manual 5 minute timer
- * electronic timer with 3 programmable settings



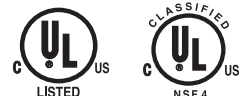
Electronic timer (optional)



Grooved top and bottom plates (shown)



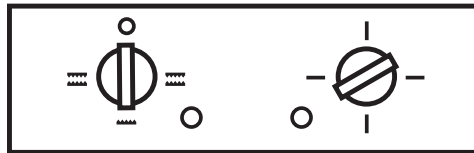
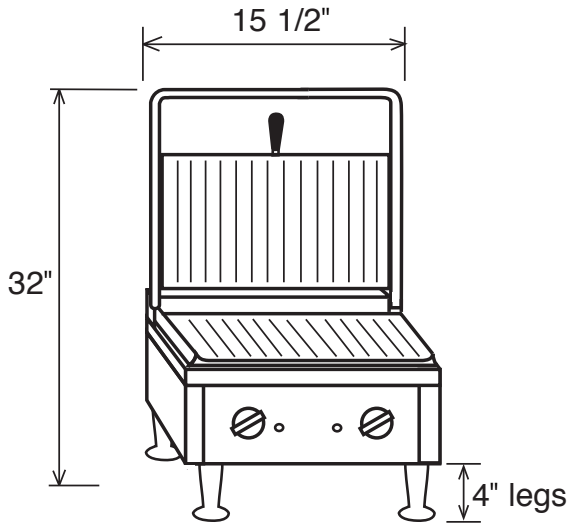
100 NIAN TIC AVENUE; SUITE 104 PROVIDENCE, RI 02907
 TEL: (401)273-3300 FAX: (401)273-3328 E-mail: sales@equipex.com
 www.equipex.com



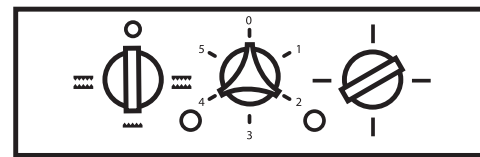


ELECTRIC PANINI XL PRESSES

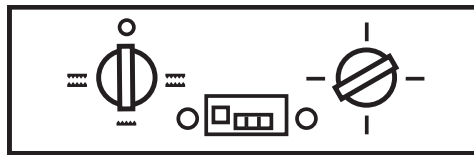
CONTROL PANEL:



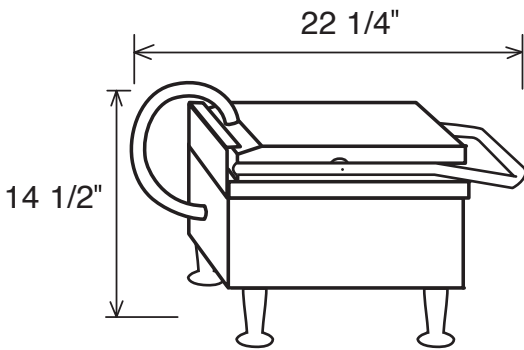
Standard: Mode selector switch, regulating thermostat, green and red pilot lights



Optional manual 5 minute timer added



Optional electronic timer added (3 independent settings with 1-99 minute range)



SPECIFICATIONS

INSTALLATION CLEARANCE: MINIMUM OF 4" TO COMBUSTIBLE SURFACES FROM BODY

MODEL	ELECTRICAL	DIMENSIONS	WORK SURFACE	SHIPPING WEIGHT	NEMA PLUG
PANINI XL	208/240V, 1PH 3.6KW, 13/15 Amps	15 1/2"Wx22 1/4"Dx32"H (including 4" legs)	14"Wx14"D	135 lbs	6-20 P
PANINI XL/1	120V, 1.75KW 15 Amps				5-15 P

WARRANTY: Limited one year parts and labor



100 NIANTIC AVENUE; SUITE 104 PROVIDENCE, RI 02907
 TEL: (401)273-3300 FAX: (401)273-3328 E-mail: sales@equipex.com
 www.equipex.com

