



Model: _____ Item #: _____ Date: _____

Project: _____ Qty: _____ Approved By: _____

Royal Series Ice Bins

Royal Series Underbar



KR19-24-10

Optional Accessories

| Model | Description |
|----------|---|
| KR-101 | Condiment Tray |
| KR-103 | 12" Deep Stainless Steel Divider for KR19 |
| KR-109 | 12" Deep Stainless Steel Divider for KR24 |
| KR-113 | 15" Deep Stainless Steel Divider for KR19 |
| KR-114 | 15" Deep Stainless Steel Divider for KR24 |
| KR-303 | Left & Right End Side Splashes for KR19 |
| KR-310 | Right End Splash for KR19 |
| KR-311 | Left End Splash for KR19 |
| KR-313 | Left & Right End Side Splashes for KR24 |
| KR-314 | Right End Splash for KR24 |
| KR-315 | Left End Splash for KR24 |
| KR-401 | Cap Catcher and Opener |
| KR-406 | Faucet Installed Over Ice Bin |
| KR-501 | Towel Ring |
| KR-519 | 18" Garnish Station with Sliding Cover |
| KR-520 | 24" Garnish Station with Sliding Cover |
| KR-521 | 30" Garnish Station with Sliding Cover |
| KR-522 | 36" Garnish Station with Sliding Cover |
| SC"XX"H | Partial Sliding Cover for 19"D Ice Bin ("XX" denotes length of Ice Bin, ex: SC24H) |
| SC"XX"F | Full Sliding Cover for 19"D Ice Bin ("XX" denotes length of Ice Bin, ex: SC24F) |
| SCD"XX"H | Partial Sliding Cover for 24"D Ice Bin ("XX" denotes length of Ice Bin, ex: SCD24H) |
| SCD"XX"F | Full Sliding Cover for 24"D Ice Bin ("XX" denotes length of Ice Bin, ex: SCD24F) |
| RS-"XX" | Single Speed Rail ("XX" denotes length of Ice Bin, ex: RS-24) |
| RD-"XX" | Double Speed Rail ("XX" denotes length of Ice Bin, ex: RD-24) |
| 30-550 | 3-Bottle Plastic Bottle Well for KR19 (qty 1) |
| 30-502 | 3-Bottle Plastic Bottle Well for KR19 (qty 2) |
| KR-409 | 4-Bottle Plastic Bottle Well for KR24 (qty 1) |
| KR-410 | 4-Bottle Plastic Bottle Well for KR24 (qty 2) |

Standard Features

- Available with 12" or 15" deep liners
- Available in 19" or 24" depths (front to back)
- Two bottle wells included
- Soda line access on cold plate units
- Optional built-in speed rail
- 10 circuit cold plate available (All units with cold plates have soda line cutout in rear)

Specifications

| | |
|-----------------------------------|--|
| Material | <ul style="list-style-type: none"> ▪ Interior: 20 gauge stainless steel ▪ Front Apron: 20 gauge stainless steel clad over 20 gauge galvanized steel ▪ Backsplash: 20 gauge stainless steel ▪ Back and Bottom: 20 gauge galvanized steel |
| Legs | <ul style="list-style-type: none"> ▪ 1-5/8" tubular 16 gauge stainless steel with grey plastic bullet foot |
| Insulation | <ul style="list-style-type: none"> ▪ Foamed-in-place polyurethane |
| Cold Plate | <ul style="list-style-type: none"> ▪ Model numbers that end '-10' include high performance built-in 10-circuit post mix cold plate. (KR19-18-7 and KR24-18-7 includes 7-circuit cold plate) ▪ Plate is sealed into bottom of ice bin ▪ Each circuit is 5/16" OD stainless steel tubing ▪ Two full with remainder to be half circuits ▪ Bump and swedge fittings on ends |
| Plumbing | <ul style="list-style-type: none"> ▪ 1" IPS drain connection ▪ Units with cold plates: 1/2" x 4" PVC tailpiece (1/2" -20 male threaded) included. ▪ PVC tailpiece required to avoid condensation through metal to metal contact |
| Tubing Access (Cold Plate) | <ul style="list-style-type: none"> ▪ 3/4" x 3-1/2" cutout in left side of backsplash |

Cold Plate Note

Health Departments require the optional built-in cold plates when using a soda system. The cold plate is a large aluminum plate with stainless steel lines inside. The soda system will be connected to the stainless steel lines which are chilled from the ice inside the ice bin. The purpose of this plate is to chill the soda before it is dispensed through the soda gun. A cold plate cannot be added to an ice bin after it has been purchased.





Model: _____ Item #: _____ Date: _____

Project: _____ Qty: _____ Approved By: _____

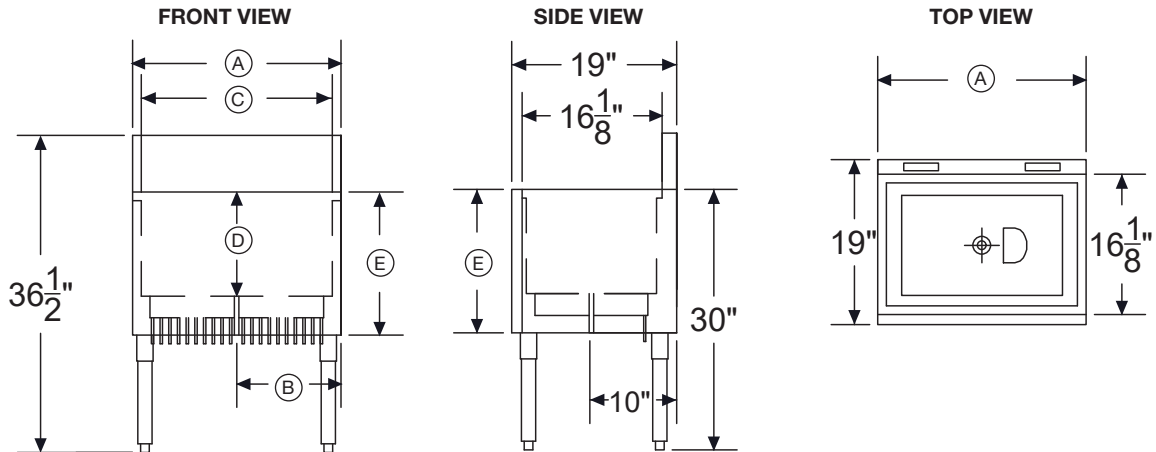
Royal Series Ice Bins

Royal Series Underbar

19" Depth Ice Bins (KR19)

NOTE: Models KR19-6 and KR19-8 must ship attached to adjacent unit at factory. Cannot ship loose. Free standing unit not available.

| Model | Overall Length (A) | Left Side to Drain (B) | Interior Dimensions (C) | Inside Depth (Liner) (D) | Outside Depth (E) | Ice Capacity (lbs.) | Cold Plate Circuits | Weight (lbs.) |
|--------------|--------------------|------------------------|-------------------------|--------------------------|-------------------|---------------------|---------------------|---------------|
| KR19-6 | 6" | 3" | 15" x 4" | 10" | 13-1/2" | 20 | - | 20 |
| KR19-8 | 8" | 4" | 15" x 6" | 10" | 13-1/2" | 22 | - | 25 |
| KR19-12 | 12" | 9" | 15" x 10" | 10" | 13-1/2" | 25 | - | 35 |
| KR19-18 | 18" | 9" | 15" x 16" | 12" | 13-1/2" | 55 | - | 57 |
| KR19-24 | 24" | 12" | 15" x 22" | 12" | 13-1/2" | 74 | - | 67 |
| KR19-30 | 30" | 15" | 15" x 28" | 12" | 13-1/2" | 92 | - | 76 |
| KR19-36 | 36" | 18" | 15" x 34" | 12" | 13-1/2" | 110 | - | 86 |
| KR19-42 | 42" | 21" | 15" x 40" | 12" | 13-1/2" | 129 | - | 95 |
| KR19-48 | 48" | 24" | 15" x 46" | 12" | 13-1/2" | 147 | - | 105 |
| KR19-18-7 | 18" | 9" | 15" x 16" | 12" | 13-1/2" | 55 | 7 | 110 |
| KR19-24-10 | 24" | 12" | 15" x 22" | 12" | 16-1/2" | 74 | 10 | 124 |
| KR19-30-10 | 30" | 15" | 15" x 28" | 12" | 16-1/2" | 92 | 10 | 138 |
| KR19-36-10 | 36" | 18" | 15" x 34" | 12" | 16-1/2" | 110 | 10 | 152 |
| KR19-42-10 | 42" | 21" | 15" x 40" | 12" | 16-1/2" | 129 | 10 | 162 |
| KR19-48-10 | 48" | 24" | 15" x 46" | 12" | 16-1/2" | 147 | 10 | 171 |
| KR19-18DP | 18" | 9" | 15" x 16" | 15" | 16-1/2" | 73 | - | 72 |
| KR19-24DP | 24" | 12" | 15" x 22" | 15" | 16-1/2" | 97 | - | 76 |
| KR19-30DP | 30" | 15" | 15" x 28" | 15" | 16-1/2" | 122 | - | 86 |
| KR19-36DP | 36" | 18" | 15" x 34" | 15" | 16-1/2" | 146 | - | 95 |
| KR19-42DP | 42" | 21" | 15" x 40" | 15" | 16-1/2" | 170 | - | 150 |
| KR19-48DP | 48" | 24" | 15" x 46" | 15" | 16-1/2" | 194 | - | 119 |
| KR19-18DP-7 | 18" | 9" | 15" x 16" | 15" | 16-1/2" | 73 | 7 | 119 |
| KR19-24DP-10 | 24" | 12" | 15" x 22" | 15" | 19-1/2" | 97 | 10 | 133 |
| KR19-30DP-10 | 30" | 15" | 15" x 28" | 15" | 19-1/2" | 122 | 10 | 148 |
| KR19-36DP-10 | 36" | 18" | 15" x 34" | 15" | 19-1/2" | 146 | 10 | 162 |
| KR19-42DP-10 | 42" | 21" | 15" x 40" | 15" | 19-1/2" | 170 | 10 | 171 |
| KR19-48DP-10 | 48" | 24" | 15" x 46" | 15" | 19-1/2" | 194 | 10 | 181 |





Model: _____ Item #: _____ Date: _____

Project: _____ Qty: _____ Approved By: _____

Royal Series Ice Bins

Royal Series Underbar

24" Depth Ice Bins (KR24)

NOTE: Models KR24-6 and KR24-8 must ship attached to adjacent unit at factory. Cannot ship loose. Free standing unit not available.

| Model | Overall Length (A) | Left Side to Drain (B) | Interior Dimensions (C) | Inside Depth (Liner) (D) | Outside Depth (E) | Ice Capacity (lbs.) | Cold Plate Circuits | Weight (lbs.) |
|--------------|--------------------|------------------------|-------------------------|--------------------------|-------------------|---------------------|---------------------|---------------|
| KR24-6 | 6" | 3" | 20" x 4" | 10" | 13-1/2" | 20 | - | 20 |
| KR24-8 | 8" | 4" | 20" x 6" | 10" | 13-1/2" | 31 | - | 35 |
| KR24-12 | 12" | 9" | 20" x 10" | 10" | 13-1/2" | 42 | - | 55 |
| KR24-18 | 18" | 9" | 20" x 16" | 12" | 13-1/2" | 69 | - | 67 |
| KR24-24 | 24" | 12" | 20" x 22" | 12" | 13-1/2" | 92 | - | 76 |
| KR24-30 | 30" | 15" | 20" x 28" | 12" | 13-1/2" | 115 | - | 91 |
| KR24-36 | 36" | 18" | 20" x 34" | 12" | 13-1/2" | 138 | - | 105 |
| KR24-42 | 42" | 21" | 20" x 40" | 12" | 13-1/2" | 161 | - | 114 |
| KR24-48 | 48" | 24" | 20" x 46" | 12" | 13-1/2" | 184 | - | 124 |
| KR24-18-7 | 18" | 9" | 20" x 16" | 12" | 16-1/2" | 69 | 7 | 124 |
| KR24-24-10 | 24" | 12" | 20" x 22" | 12" | 16-1/2" | 92 | 10 | 138 |
| KR24-30-10 | 30" | 15" | 20" x 28" | 12" | 16-1/2" | 115 | 10 | 152 |
| KR24-36-10 | 36" | 18" | 20" x 34" | 12" | 16-1/2" | 138 | 10 | 162 |
| KR24-42-10 | 42" | 21" | 20" x 40" | 12" | 16-1/2" | 161 | 10 | 176 |
| KR24-48-10 | 48" | 24" | 20" x 46" | 12" | 16-1/2" | 184 | 10 | 186 |
| KR24-18DP-7 | 18" | 9" | 20" x 16" | 15" | 19-1/2" | 91 | 7 | 133 |
| KR24-24DP-10 | 24" | 12" | 20" x 22" | 15" | 19-1/2" | 121 | 10 | 148 |
| KR24-30DP-10 | 30" | 15" | 20" x 28" | 15" | 19-1/2" | 153 | 10 | 162 |
| KR24-36DP-10 | 36" | 18" | 20" x 34" | 15" | 19-1/2" | 183 | 10 | 171 |
| KR24-42DP-10 | 42" | 21" | 20" x 40" | 15" | 19-1/2" | 212 | 10 | 186 |
| KR24-48DP-10 | 48" | 24" | 20" x 46" | 15" | 19-1/2" | 242 | 10 | 195 |

