

# SEALED WELL ELECTRIC TABLES WITH ENCLOSED BASE



SW-5E-240-BS Shown



Sealed Well with Drain

Item #: \_\_\_\_\_ Qty #: \_\_\_\_\_  
 Model #: \_\_\_\_\_  
 Project #: \_\_\_\_\_



Optional TA-255P Casters Available

### FEATURES:

- Stainless steel undershelf
- Fiberglass insulation between each compartment
- Drains with gate valves per well
- Stainless steel 8" support shelf with removable 3/8" thick poly cutting board - Ships K.D.

### MATERIAL:

- TOP:** 20 gauge #302 stainless steel with die stamped pan openings. (11.875" x 20.062")
- BODY:** 22 gauge #430 stainless steel
- BASE:** 18 gauge stainless steel with fully adjustable stainless steel bullet foot
- UNDERSHELF:** 22 gauge #430 stainless steel
- LINERS:** 20 Gauge stainless steel deep drawn with drain
- CUTTING BOARD:** White Thermoplastic
- CUTTING BOARD BRACKETS:** 16 gauge, #302 stainless steel

### ELECTRICAL:

- 120V units yield 640 Watts
- 208V/240V dual voltage units yield 825 Watts at 208V and 1100 Watts at 240V
- 6' electrical cord with plug
- Infinite control knobs
- Indicator lights



Model #	Length	Width*	# of Wells	Volts	Amps	Watts	NEMA Plug	Wt.	Cu. Ft.
SW-2E-120-BS	A = 31-13/16"	30-5/8"	2	120	10.67	1280	5-20P	157 lbs.	28
SW-3E-120-BS	B = 47-1/8"	30-5/8"	3	120	16	1920	5-20P	154 lbs.	41.32
SW-4E-120-BS	C = 62-7/16"	30-5/8"	4	120	21.33	2560	L5-30P	187 lbs.	54.55
SW-2E-240-BS	A = 31-13/16"	30-5/8"	2	208/240	7.94/9.16	1650/2200	6-20P	157 lbs.	28
SW-3E-240-BS	B = 47-1/8"	30-5/8"	3	208/240	11.91/13.74	2475/3300	6-20P	154 lbs.	41.32
SW-4E-240-BS	C = 62-7/16"	30-5/8"	4	208/240	15.88/18.32	3300/4400	L6-30P	187 lbs.	54.55
SW-5E-240-BS	D = 77-3/4"	30-5/8"	5	208/240	19.85/22.90	4125/5500	L6-30P	281 lbs.	66.94

\*Width Includes 8" Cutting Board

**NOTE:** Units are not designed to cook or heat frozen or refrigerated foods. Food placed in tables should already be hot, and the table will maintain the proper temperatures

**NEMA PLUGS:** Your plug will look like this...



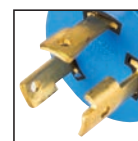
NEMA 5-20P



NEMA 6-20P



NEMA L5-30P



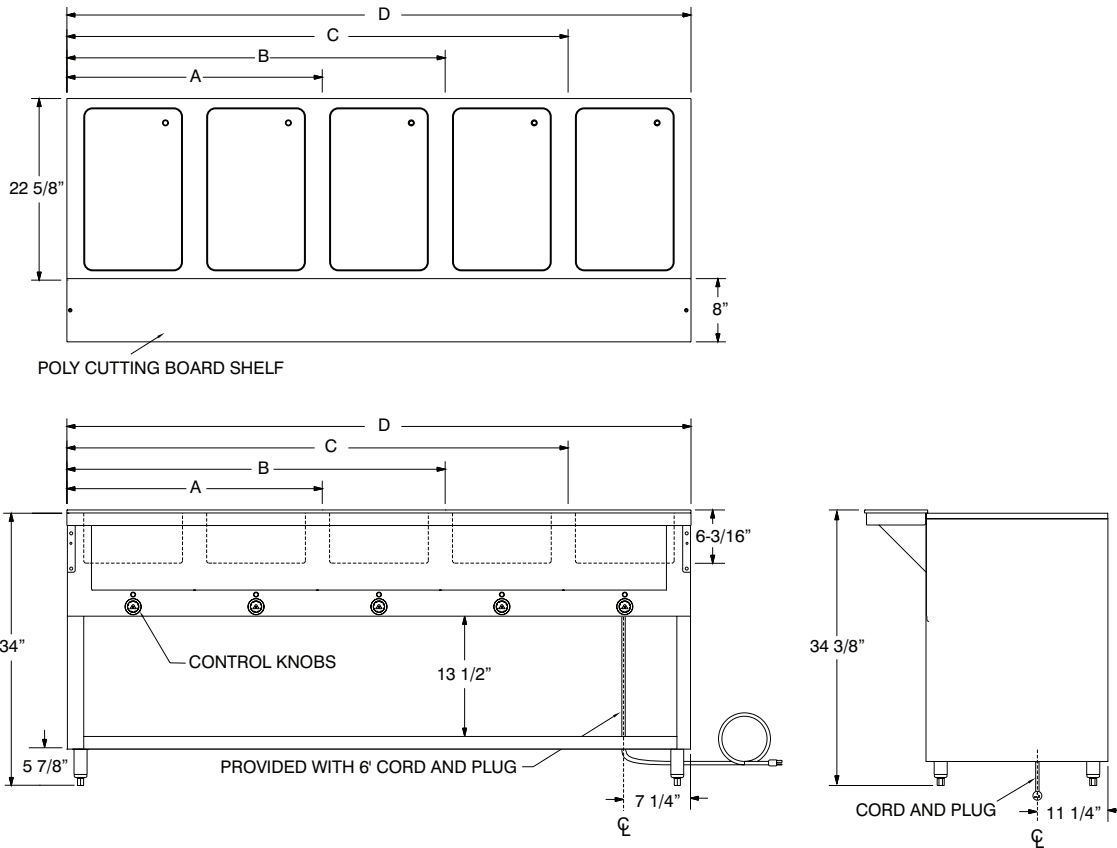
NEMA L6-30P

**NOTE:** For international applications, plug may need to be replaced (by others) in field.

# DIMENSIONS and SPECIFICATIONS

TOL ± .125"

ALL DIMENSIONS ARE TYPICAL



Acrylic Food Shield has 10" Clearance from Deck

## Double Sided Self-Serve Buffet Shelf with Built-In Food Shield

Model	Length	Approx Wt.	Cu. Ft.
TBS-2	31-13/16"	34 lbs.	2
TBS-3	47-1/8"	42 lbs.	3
TBS-4	62-7/16"	47 lbs.	4
TBS-5	77-3/4"	55 lbs.	4

**Acrylic Side Panels for Buffet Shelf**  
Add side panels to meet additional NSF requirements (2 panels per end)

**TBP-1 One end**  
**TBP-2 Two Ends**

Field Installation Available

## Food Table Accessories

Visit our website for additional Food Table Accessories

### SEALED WELL REPLACEMENT PARTS

- T Thermostatic Control (Per Well)
- M Manifold Drains (Per Well)



**TA-255P** Add Casters to Enclosed Base Food Units  
(Includes 4 -5" Swivel Casters, 2 w/ Brakes)

**TA-255P** Add Casters to Enclosed Base Food Units  
(Includes 4 -5" Swivel Casters, 2 w/ Brakes)

**SU-45A** 12" x 1" Adapter Bar

**SU-45B** 20" x 3" Adapter Bar

**K-49** Filler Faucet for Hot Tables (Hot water supply only. Requires -M Manifold Drain & SU-15 Prepare for Filler Faucet Provision)

**SU-15** Prepare Hot food Table For Filler Faucet (For Gas Units. Excludes Wetbath Units)

