



STAINLESS STEEL
Portable Ice Bins 



Item #: _____ Qty #: _____
 Model #: _____
 Project #: _____

DETAILS and SPECIFICATIONS

TOL Overall: ± .500" Interior: ± .250"

ALL DIMENSIONS ARE TYPICAL

FEATURES:

16" deep insulated ice bin - extra deep for beer bottle storage.
 Stainless steel legs with welded cross-bracing.
 Includes four swivel casters (2 with brakes).

MATERIAL:

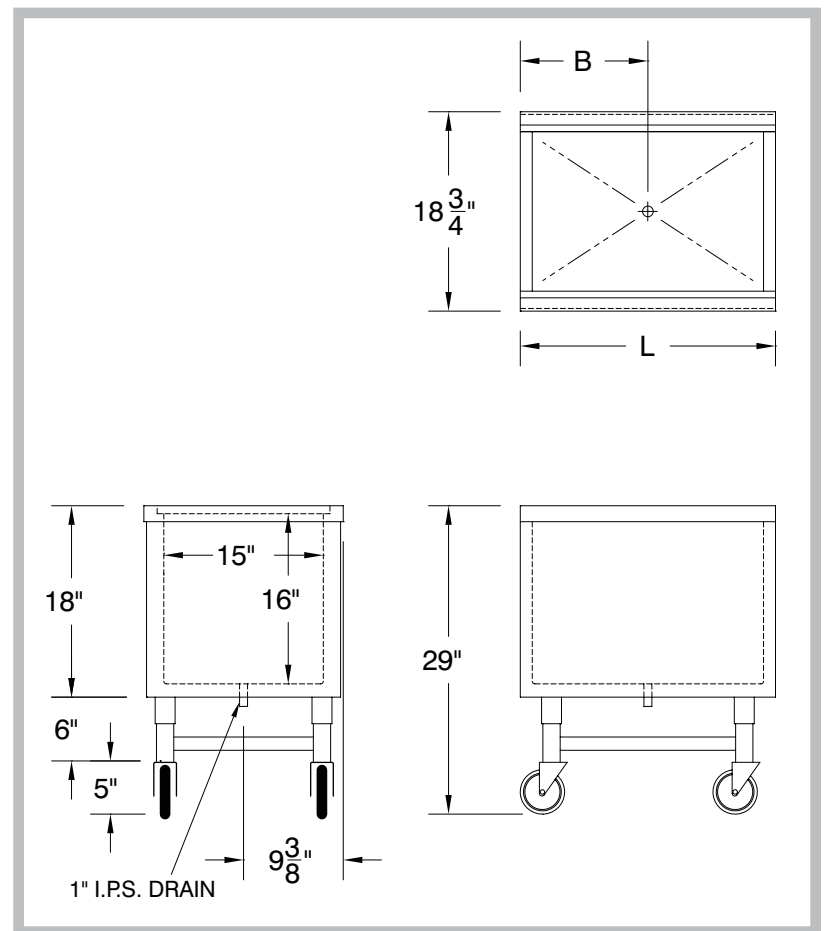
22 gauge, 300 stainless steel
Sides: 20 gauge, 430 stainless steel
Understructure: 22 gauge galvaneal front/back;
 11 gauge electrogalvaneal leg channel
Legs: 1 5/8" O.D. stainless steel
Ice Bin Insulation: 2 lbs. density styrofoam

MECHANICAL:

1" IPS drain with shut off valve.

OPTIONAL:

SSC-24 - Stainless steel sliding cover for 24" ice bin
SSC-30 - Stainless steel sliding cover for 30" ice bin
SSC-36 - Stainless steel sliding cover for 36" ice bin



Model #	Size W x L x H	Ice Bin Capacity (B)	Approx. Weight	Approx. Cu. Ft.	
SCI-MIC-24	18.75" x 24" x 29"	12"	100 lbs.	120 lbs.	7
SCI-MIC-30	18.75" x 30" x 29"	15"	127 lbs.	130 lbs.	12
SCI-MIC-36	18.75" x 36" x 29"	18"	155 lbs.	145 lbs.	16



Customer Service Available To Assist You **1-800-645-3166** 8:30 am - 8:00 pm E.S.T.

For Orders & Customer Service:
 Email: customer@advancetabco.com or Fax: 631-242-6900

For Smart Fabrication™ Quotes:
 Email: smartfab@advancetabco.com or Fax: 631-586-2933