



STAINLESS STEEL  
**Portable Ice Bins** 



Item #: \_\_\_\_\_ Qty #: \_\_\_\_\_  
 Model #: \_\_\_\_\_  
 Project #: \_\_\_\_\_

## DETAILS and SPECIFICATIONS

TOL Overall: ± .500" Interior: ± .250"

ALL DIMENSIONS ARE TYPICAL

**FEATURES:**

16" deep insulated ice bin - extra deep for beer bottle storage.  
 Stainless steel legs with welded cross-bracing.  
 Includes four swivel casters (2 with brakes).

**MATERIAL:**

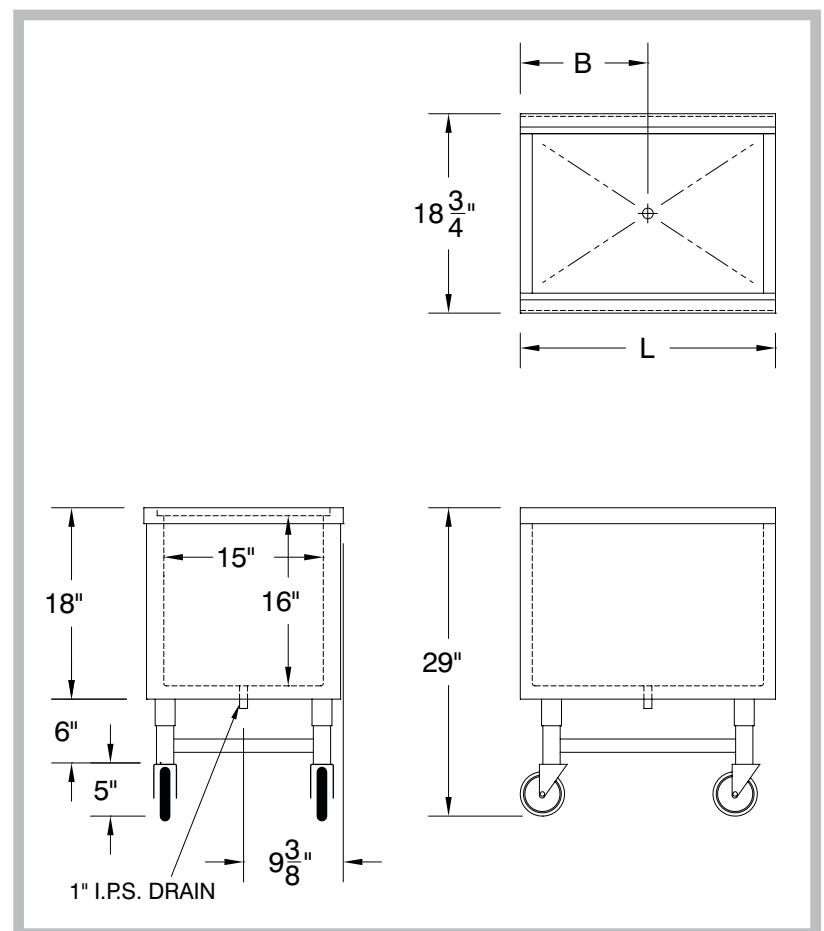
22 gauge, 300 stainless steel  
**Sides:** 20 gauge, 430 stainless steel  
**Understructure:** 22 gauge galvaneal front/back;  
 11 gauge electrogalvaneal leg channel  
**Legs:** 1 5/8" O.D. stainless steel  
**Ice Bin Insulation:** 2 lbs. density styrofoam

**MECHANICAL:**

1" IPS drain with shut off valve.

**OPTIONAL:**

**SSC-24** - Stainless steel sliding cover for 24" ice bin  
**SSC-30** - Stainless steel sliding cover for 30" ice bin  
**SSC-36** - Stainless steel sliding cover for 36" ice bin



Model #	Size W x L x H	Ice Bin Capacity (B)	Approx. Weight	Approx. Cu. Ft.	
SCI-MIC-24	18.75" x 24" x 29"	12"	100 lbs.	120 lbs.	7
SCI-MIC-30	18.75" x 30" x 29"	15"	127 lbs.	130 lbs.	12
SCI-MIC-36	18.75" x 36" x 29"	18"	155 lbs.	145 lbs.	16



Customer Service Available To Assist You 1-800-645-3166 8:30 am - 8:00 pm E.S.T.

For Orders & Customer Service:  
 Email: customer@advancetabco.com or Fax: 631-242-6900

For Smart Fabrication™ Quotes:  
 Email: smartfab@advancetabco.com or Fax: 631-586-2933