



PRESTIGE Signature Series

Uni-Serv Speed Bar

25" and 30" Wide Units



Item #: _____ Qty #: _____
 Model #: _____
 Project #: _____



PRU-19-60R Shown



15A - 120V Duplex
 Receptacle Hidden
 Beneath Blender Shelf



FEATURES:

- 9 1/2" x 11 1/2" x 6" dump sink.
- 30" x 11" insulated ice bin; 89 lbs. ice capacity.
- 30" speed rail.
- 1 3/4" return with soda gun knock-out.
- Recessed drainboard with removable perforated top for glassware.
- Recessed blender station with 15A - 120V duplex outlet hidden beneath shelf.
- Includes two removable plastic bottle racks.
- K-59 splash mount gooseneck faucet.
- Stainless steel top, apron, sides and legs with 1" adjustable stainless steel bullet feet
- Adjustable stainless steel side cross-bracing
- 7" backsplash.

MECHANICAL:

- Includes 4" O.C. splash mount gooseneck spout faucet*.
- Faucet meet federal lead free standards.**
- 1" IPS drain (non-cold plate ice bin and glassware shelf).
- 1/2" IPS drain (cold plate ice bin).
- 3 1/2" basket drain (sink bowl).

MATERIAL:

- 20 gauge, 300 stainless steel
- Recessed Glassware Shelf:** 18 gauge, 300 stainless steel
- Legs:** 1 5/8" O.D. 18 gauge, stainless steel with adjustable plastic bullet feet
- Ice Bin Insulation:** 2 lbs. density foam-in-place
- Cold Plate:** Cast aluminum with 10 circuits (8 syrup and 2 water lines) with 5/16" diameter stainless steel bump and swedge ends.

OPTIONAL:

- K-316-LU** - Add wrist handles
- SU-73** - Add mirror finish (factory installed only)

25" WIDE Model #	O.A. Size W x L x H	Approx. Weight	Approx. Cu. Ft.	30" WIDE Model #	O.A. Size W x L x H	Approx. Weight	Approx. Cu. Ft.	Ice Bin Capacity
PRU-19-48L or R	25" x 48" x 36"	105 lbs.	27	PRU-24-48L or R	30" x 48" x 36"	110 lbs.	35	89 lbs.
PRU-19-60L or R	25" x 60" x 36"	130 lbs.	28	PRU-24-60L or R	30" x 60" x 36"	135 lbs.	35	89 lbs.

With 10-Circuit Cold Plate

PRU-19-48L-10 or R-10	25" x 48" x 36"	140 lbs.	37	PRU-24-48L-10 or R-10	30" x 48" x 36"	145 lbs.	46	89 lbs.
PRU-19-60L-10 or R-10	25" x 60" x 36"	165 lbs.	37	PRU-24-60L-10 or R-10	30" x 60" x 36"	170 lbs.	46	89 lbs.

L and R Indicate Ice Bin Location.



Customer Service Available To Assist You 1-800-645-3166 8:30 am - 8:00 pm E.S.T.

For Orders & Customer Service:
 Email: customer@advancetabco.com or Fax: 631-242-6900

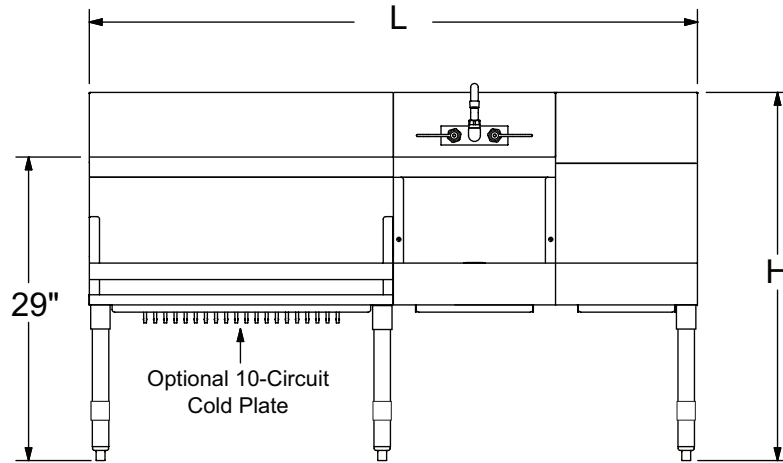
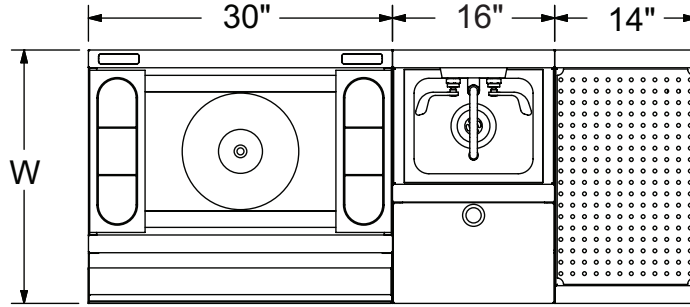
For Smart Fabrication™ Quotes:
 Email: smartfab@advancetabco.com or Fax: 631-586-2933

DIMENSIONS and SPECIFICATIONS

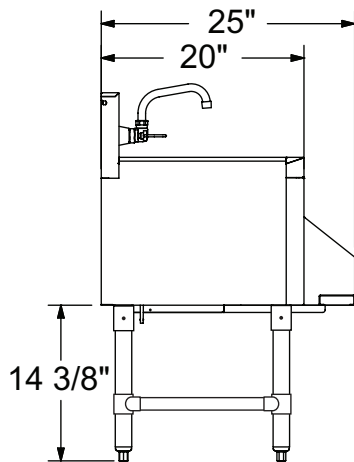
TOL Overall: ± .500" Interior: ± .250"

ALL DIMENSIONS ARE TYPICAL

-L Model Shown



PRU-19 Series



PRU-24 Series

