



# STAINLESS STEEL GAS HOT FOOD TABLES WITH UNDERSHELF

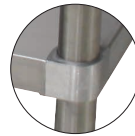


For Use with Optional  
Spillage Pans

Item #:	_____	Qty #:	_____
Model #:	_____		
Project #:	_____		



**HF-3G-NAT Shown**



**Featuring as Standard:**  
**"THE PROVEN"**  
**ORIGINAL ADVANCE TABCO**  
**Adjustable Undershelf with Die Cast Leg Clamp**

**FEATURES:**

- 3500 BTU'S Per burner
- Control knobs with 3 settings
- Pilot indicator openings
- Fiberglass insulation between each compartment
- Stainless steel 8" support shelf with removable 3/8" thick poly cutting board - Ships K.D.
- Stainless steel body and top
- Galvanized undershelf & legs w/ adjustable bullet feet
- These units are used to maintain the temperature of pre-cooked foods. These units are designed for dry operation. To keep food moist add a spillage pan with 1"-2" of water

**MATERIAL:**

- TOP:** 20 gauge #302 stainless steel with die stamped pan openings. (11.875" x 20.062")
- BODY:** 22 gauge #430 stainless steel
- LEGS:** 1 5/8" diameter tubular galvanized steel 1" adjustable plastic bullet feet
- Stainless steel gussets
- UNDERSHELF:** Galvanized steel
- LINERS:** 8" deep, 22 Gauge galvanized. Stainless Steel Upgrade use **#SU-32G**
- CUTTING BOARD:** White Thermoplastic
- CUTTING BOARD BRACKETS:** 16 gauge, #302 stainless steel

**GAS:**


- Available for Natural Gas or Bottled Gas
- 1/2" female NPT connection to regulator
- Infinite control knobs
- Note:** External pressure regulator is required. 4" WC pressure in for Natural Gas and 10" WC pressure in for LP

Model #	Gas Type	Length	Width*	# of Wells	Approx. Weight	Approx. Cu. Ft.
HF-2G-NAT	NATURAL GAS	A = 31-13/16"	30-5/8"	2	92 lbs.	28
HF-3G-NAT	NATURAL GAS	B = 47-1/8"	30-5/8"	3	130 lbs.	41
HF-4G-NAT	NATURAL GAS	C = 62-7/16"	30-5/8"	4	165 lbs.	55
HF-5G-NAT	NATURAL GAS	D = 77-3/4"	30-5/8"	5	170 lbs.	67
HF-2G-LP	BOTTLED GAS	A = 31-13/16"	30-5/8"	2	92 lbs.	28
HF-3G-LP	BOTTLED GAS	B = 47-1/8"	30-5/8"	3	130 lbs.	41
HF-4G-LP	BOTTLED GAS	C = 62-7/16"	30-5/8"	4	165 lbs.	55
HF-5G-LP	BOTTLED GAS	D = 77-3/4"	30-5/8"	5	170 lbs.	67

**\*Width Includes 8" Cutting Board**

**NOTE: Units are not designed to cook or heat frozen or refrigerated foods. Food placed in tables should already be hot, and the table will maintain the proper temperatures**

Stainless Steel Legs & Undershelf Upgrade			
2 Well Table	3 Well Table	4 Well Table	5 Well Table
SU-23A	SU-23B	SU-23C	SU-23D




**Customer Service Available To Assist You 1-800-645-3166 8:30 am - 8:00 pm E.S.T.**

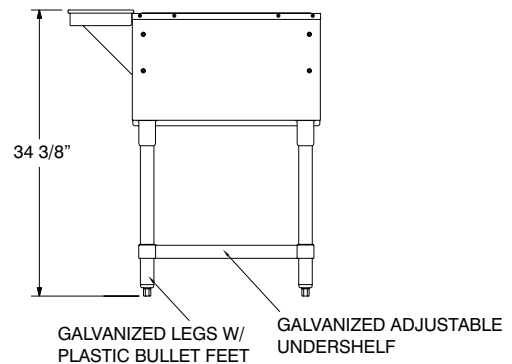
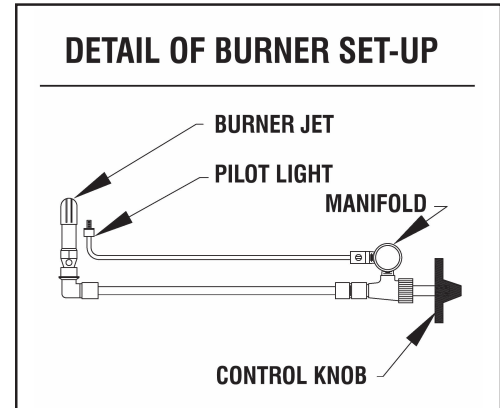
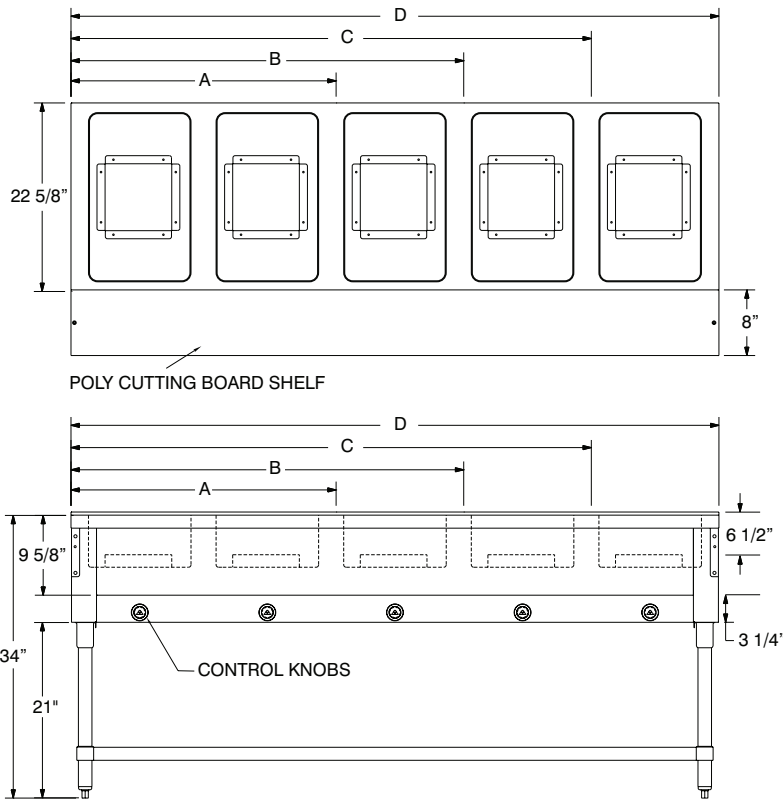
For Orders & Customer Service:  
Email: customer@advancetabco.com or Fax: 631-242-6900

For Smart Fabrication™ Quotes:  
Email: smartfab@advancetabco.com or Fax: 631-586-2933

# DIMENSIONS and SPECIFICATIONS

TOL ± .125"

ALL DIMENSIONS ARE TYPICAL



All dimensions are the same for the stainless steel wells option.

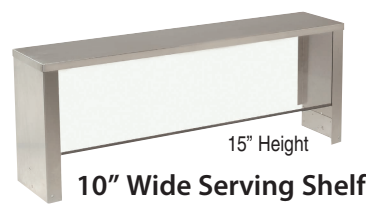
## Food Table Shelving



Model	Length	Approx Wt.	Cu. Ft.
TBS-2	31-13/16"	34 lbs.	2
TBS-3	47-1/8"	42 lbs.	3
TBS-4	62-7/16"	47 lbs.	4
TBS-5	77-3/4"	55 lbs.	4

**Acrylic Side Panels for Buffet Shelf**  
Add side panels to meet additional NSF requirements (2 panels per side)

**TBP-1 One Side**  
**TBP-2 Two Sides**  
Field Installation Available



Model	Length	Approx Wt.	Cu. Ft.
TSS-2	31-13/16"	18 lbs.	2
TSS-3	47-1/8"	23 lbs.	3
TSS-4	62-7/16"	30 lbs.	4
TSS-5	77-3/4"	35 lbs.	4

**Acrylic Side Panel for Serving Shelf**  
Add side panels to meet additional NSF requirements (1 panel per side)

**TSP-1 One Side**  
**TSP-2 Two Sides**  
Field Installation Available

## Food Table Accessories

Visit our website for additional Food Table Accessories



- SU-25S** Add Casters to Food Units with Undershef (Includes 4 -5" Swivel Casters, 2 w/ Brakes & Legs That Maintain Height)
- SU-25** Add Casters to Food Units with Undershef (For Units Built Before Oct. 2015. Includes 4 -5" Swivel Casters, 2 w/ Brakes.)
- SU-P-101** Gas Valve

- SU-P-105** Jet Burner for Natural Gas Unit (NAT 5/16 #61)
- SU-P-106** Jet Burner for Natural Gas Unit (NAT 5/16 #74)
- SP-A** Aluminum Spillage Pan
- SP-S** Stainless Steel Spillage Pan



ADVANCE TABCO is constantly engaged in a program of improving our products. Therefore, we reserve the right to change specifications without prior notice.