



# STAINLESS STEEL GAS HOT FOOD TABLES WITH UNDERSHELF

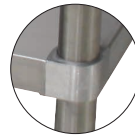


For Use with Optional  
Spillage Pans

|            |       |        |       |
|------------|-------|--------|-------|
| Item #:    | _____ | Qty #: | _____ |
| Model #:   | _____ |        |       |
| Project #: | _____ |        |       |



HF-3G-NAT Shown



**Featuring as Standard:**  
**"THE PROVEN"**  
**ORIGINAL ADVANCE TABCO**  
**Adjustable Undershelf with Die Cast Leg Clamp**

**FEATURES:**

- 3500 BTU'S Per burner
- Control knobs with 3 settings
- Pilot indicator openings
- Fiberglass insulation between each compartment
- Stainless steel 8" support shelf with removable 3/8" thick poly cutting board - Ships K.D.
- Stainless steel body and top
- Galvanized undershelf & legs w/ adjustable bullet feet
- These units are used to maintain the temperature of pre-cooked foods. These units are designed for dry operation. To keep food moist add a spillage pan with 1"-2" of water

**MATERIAL:**

- TOP:** 20 gauge #302 stainless steel with die stamped pan openings. (11.875" x 20.062")
- BODY:** 22 gauge #430 stainless steel
- LEGS:** 1 5/8" diameter tubular galvanized steel 1" adjustable plastic bullet feet
- Stainless steel gussets
- UNDERSHELF:** Galvanized steel
- LINERS:** 8" deep, 22 Gauge galvanized. Stainless Steel Upgrade use **#SU-32G**
- CUTTING BOARD:** White Thermoplastic
- CUTTING BOARD BRACKETS:** 16 gauge, #302 stainless steel

**GAS:**

- Available for Natural Gas or Bottled Gas
- 1/2" female NPT connection to regulator
- Infinite control knobs
- Note:** External pressure regulator is required. 4" WC pressure in for Natural Gas and 10" WC pressure in for LP

| Model #   | Gas Type    | Length        | Width*  | # of Wells | Approx. Weight | Approx. Cu. Ft. |
|-----------|-------------|---------------|---------|------------|----------------|-----------------|
| HF-2G-NAT | NATURAL GAS | A = 31-13/16" | 30-5/8" | 2          | 92 lbs.        | 28              |
| HF-3G-NAT | NATURAL GAS | B = 47-1/8"   | 30-5/8" | 3          | 130 lbs.       | 41              |
| HF-4G-NAT | NATURAL GAS | C = 62-7/16"  | 30-5/8" | 4          | 165 lbs.       | 55              |
| HF-5G-NAT | NATURAL GAS | D = 77-3/4"   | 30-5/8" | 5          | 170 lbs.       | 67              |
| HF-2G-LP  | BOTTLED GAS | A = 31-13/16" | 30-5/8" | 2          | 92 lbs.        | 28              |
| HF-3G-LP  | BOTTLED GAS | B = 47-1/8"   | 30-5/8" | 3          | 130 lbs.       | 41              |
| HF-4G-LP  | BOTTLED GAS | C = 62-7/16"  | 30-5/8" | 4          | 165 lbs.       | 55              |
| HF-5G-LP  | BOTTLED GAS | D = 77-3/4"   | 30-5/8" | 5          | 170 lbs.       | 67              |

**\*Width Includes 8" Cutting Board**

**NOTE: Units are not designed to cook or heat frozen or refrigerated foods. Food placed in tables should already be hot, and the table will maintain the proper temperatures**

| Stainless Steel Legs & Undershelf Upgrade |              |              |              |  |
|---|--------------|--------------|--------------|--|
| 2 Well Table                              | 3 Well Table | 4 Well Table | 5 Well Table |  |
| SU-23A                                    | SU-23B       | SU-23C       | SU-23D       |  |



**Customer Service Available To Assist You 1-800-645-3166 8:30 am - 8:00 pm E.S.T.**

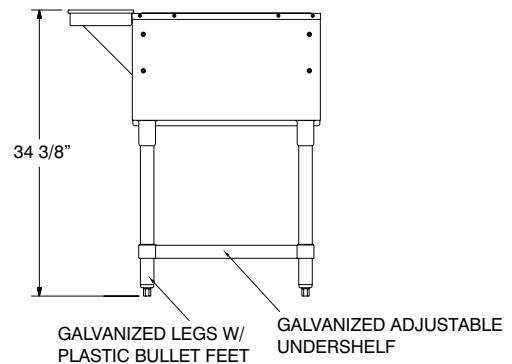
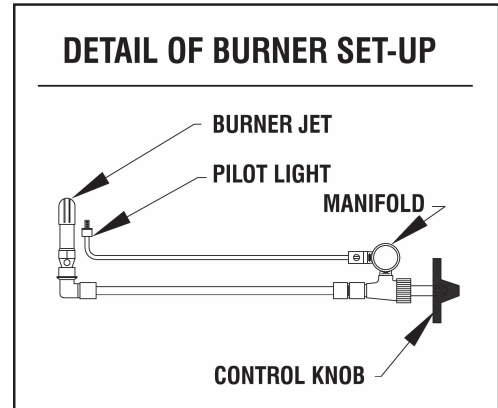
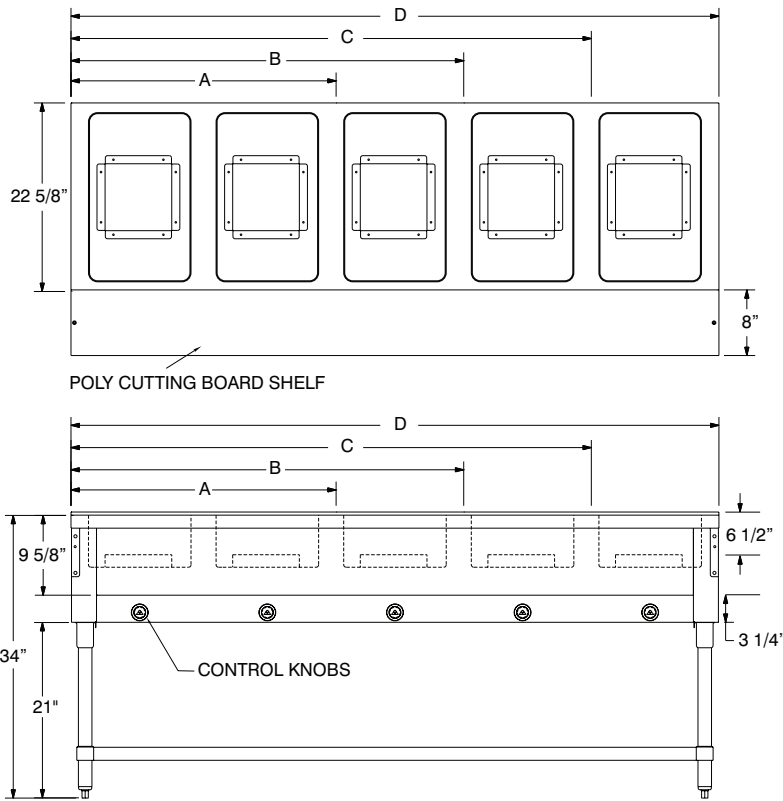
For Orders & Customer Service:  
Email: customer@advancetabco.com or Fax: 631-242-6900

For Smart Fabrication™ Quotes:  
Email: smartfab@advancetabco.com or Fax: 631-586-2933

# DIMENSIONS and SPECIFICATIONS

TOL ± .125"

ALL DIMENSIONS ARE TYPICAL



All dimensions are the same for the stainless steel wells option.

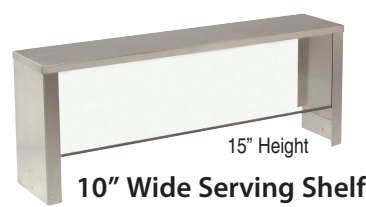
## Food Table Shelving



| Model | Length    | Approx Wt. | Cu. Ft. |
|-------|-----------|------------|---------|
| TBS-2 | 31-13/16" | 34 lbs.    | 2       |
| TBS-3 | 47-1/8"   | 42 lbs.    | 3       |
| TBS-4 | 62-7/16"  | 47 lbs.    | 4       |
| TBS-5 | 77-3/4"   | 55 lbs.    | 4       |

**Acrylic Side Panels for Buffet Shelf**  
Add side panels to meet additional NSF requirements (2 panels per side)

**TBP-1 One Side**  
**TBP-2 Two Sides**  
Field Installation Available



| Model | Length    | Approx Wt. | Cu. Ft. |
|-------|-----------|------------|---------|
| TSS-2 | 31-13/16" | 18 lbs.    | 2       |
| TSS-3 | 47-1/8"   | 23 lbs.    | 3       |
| TSS-4 | 62-7/16"  | 30 lbs.    | 4       |
| TSS-5 | 77-3/4"   | 35 lbs.    | 4       |

**Acrylic Side Panel for Serving Shelf**  
Add side panels to meet additional NSF requirements (1 panel per side)

**TSP-1 One Side**  
**TSP-2 Two Sides**  
Field Installation Available

## Food Table Accessories

Visit our website for additional Food Table Accessories



- SU-25S** Add Casters to Food Units with Undershef (Includes 4 -5" Swivel Casters, 2 w/ Brakes & Legs That Maintain Height)
- SU-25** Add Casters to Food Units with Undershef (For Units Built Before Oct. 2015. Includes 4 -5" Swivel Casters, 2 w/ Brakes.)
- SU-P-101** Gas Valve

- SU-P-105** Jet Burner for Natural Gas Unit (NAT 5/16 #61)
- SU-P-106** Jet Burner for Natural Gas Unit (NAT 5/16 #74)
- SP-A** Aluminum Spillage Pan
- SP-S** Stainless Steel Spillage Pan



ADVANCE TABCO is constantly engaged in a program of improving our products. Therefore, we reserve the right to change specifications without prior notice.