



STAINLESS STEEL Drainboard Storage Cabinets 21" Wide Units



Item #: _____ Qty #: _____
 Model #: _____
 Project #: _____



Open Base
CRD-2B Shown



**Open Base
 w/ Mid-Shelf**
CRD-2BM Shown



**w/ Mid-Shelf
 & Door**
CRD-2BMD Shown

FEATURES:

Embossed and seamless drainboard with drain in back right.
 3" diameter hole in back panel for plumbing.
 Stainless steel legs with adjustable stainless steel bullet feet.
 Optional removable hinged door.
 Rear deck provides extra storage.
 4" backsplash.

MECHANICAL:

1" IPS drain

MATERIAL:

20 gauge, 300 stainless steel

Backsplash & Front Molding: 22 gauge, 300 stainless steel

Legs: 16 gauge stainless Steel 1 5/8" O.D.
 with adjustable stainless steel bullet feet

OPTIONAL:

SU-27 - Add door lock

SU-22A - Add 10" x 14" x 10" sink with faucet

SU-68 - Omit corrugation on drainboard

	21" WIDE Model #	Size W x L x H	Approx. Weight	Approx. Cu. Ft.
OPEN BASE	CRD-2B	21" x 24" x 33"	59 lbs.	14
	CRD-30B	21" x 30" x 33"	99 lbs.	18
	CRD-3B	21" x 36" x 33"	140 lbs.	20
	CRD-4B	21" x 48" x 33"	152 lbs.	20
OPEN BASE W/ MID-SHELF	CRD-2BM	21" x 24" x 33"	59 lbs.	14
	CRD-30BM	21" x 30" x 33"	99 lbs.	18
	CRD-3BM	21" x 36" x 33"	140 lbs.	20
	CRD-4BM	21" x 36" x 33"	152 lbs.	20
W/ MID-SHELF & DOOR	CRD-2BMD	21" x 24" x 33"	59 lbs.	14
	CRD-30BMD	21" x 30" x 33"	99 lbs.	18
	CRD-3BMD	21" x 36" x 33"	140 lbs.	20
	CRD-4BMD	21" x 48" x 33"	152 lbs.	20



Customer Service Available To Assist You 1-800-645-3166 8:30 am - 8:00 pm E.S.T.

For Orders & Customer Service:
 Email: customer@advancetabco.com or Fax: 631-242-6900

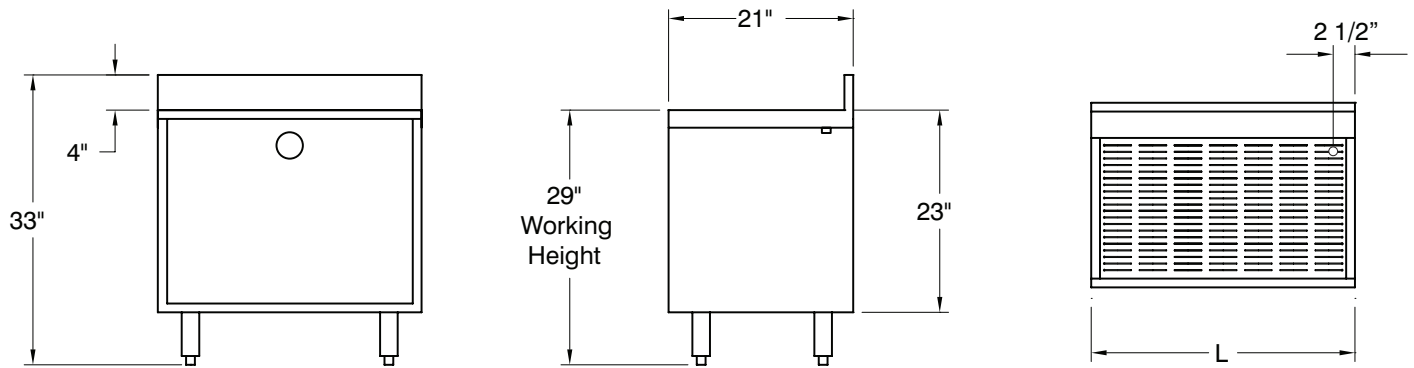
For Smart Fabrication™ Quotes:
 Email: smartfab@advancetabco.com or Fax: 631-586-2933

DIMENSIONS and SPECIFICATIONS

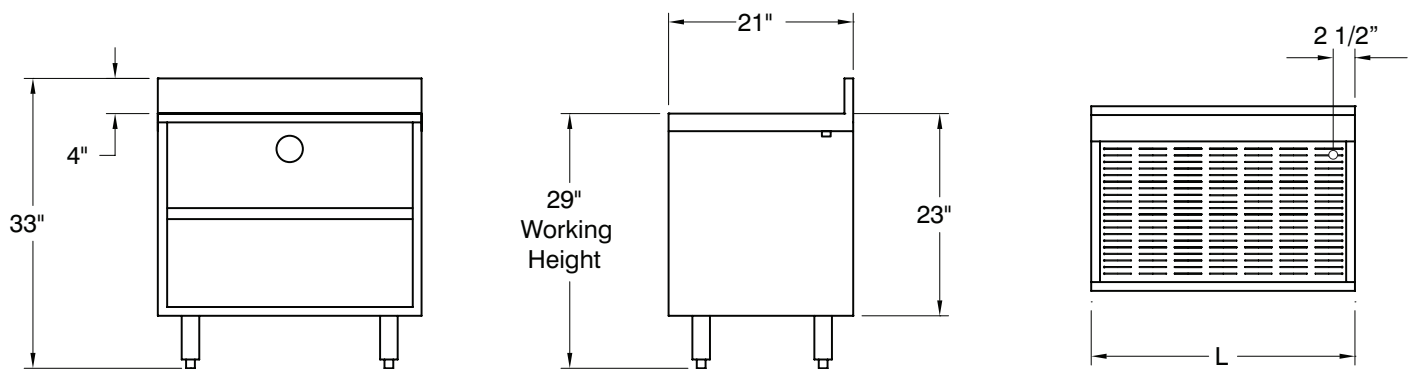
TOL Overall: $\pm .500"$ Interior: $\pm .250"$

ALL DIMENSIONS ARE TYPICAL

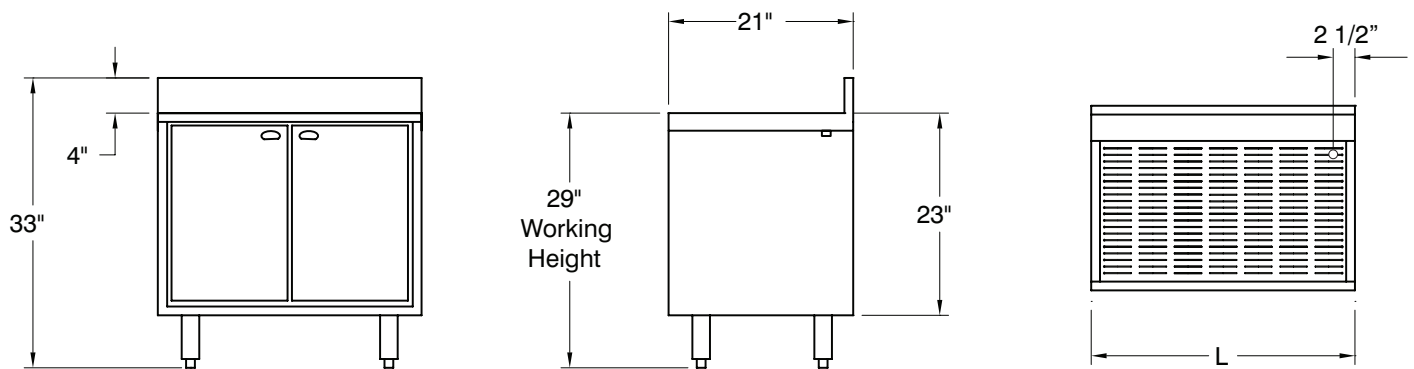
Open Base



w/ Mid-Shelf



w/ Mid-Shelf & Door



ADVANCE TABCO is constantly engaged in a program of improving our products. Therefore, we reserve the right to change specifications without prior notice.