

HEAVY DUTY PORTABLE BARS w/ ALL STAINLESS STEEL BARTENDER SIDE

Designed For **HEAVY DUTY** Use



Item #: _____ Qty #: _____
 Model #: _____
 Project #: _____

FEATURES:

- All stainless steel bartender side.
- 19" x 13-1/2" x 11" stainless steel insulated integral ice bin. Complete with drain & shut-off valve.
- Stainless steel speed rails.
- Full perimeter bumpers.
- Four 5" heavy duty swivel casters (2 with brakes).
- Open bottom shelf for glass rack storage.
- 7 Models** Includes above features with additional 7-circuit post mix cold plate in right ice bin.

MATERIAL:

- TOP & FRONT:** Mica Laminate, black finish
- UNIT:** Stainless Steel work top, back, sides & bottom
- WORK AREA:** Stainless Steel
- CASTERS:** Rubber
- SPEED RAILS:** Stainless Steel

Standard Model #	Wt.	Cold Plate Model #	Wt.	Size L x W x H	Storage Cabinet Dim. L x W x H	# Of Speed Rails	Bottle Capacity Per Speed Rail (750ml Bottles)	Bar Top Width	Cu. Ft.
AMS-5B	402	AMS-5B-7	427	62 1/4" x 27 1/4" x 46 5/8"	57 5/8" x 21" x 15 1/2"	2	10	12"	50
AMS-6B	438	AMS-6B-7	463	74 3/8" x 27 1/4" x 46 5/8"	69 7/8" x 21" x 15 1/2"	3	15	12"	60

CUSTOM EXTERIOR OPTIONS

Applied To Portable Bar Front And Sides ONLY, Unless Otherwise Specified



-LMP
Marula Pine Laminate



-LCW
Columbian Walnut Laminate



-LCM
Calcutta Marble Laminate



-SS
Stainless Steel Panels
(Includes Bar Top)



SU-81
Custom Laminate Of Your Choice
Consult Factory For Pricing & Details

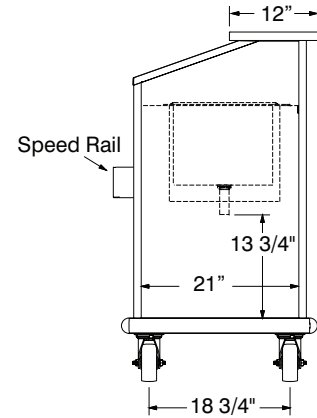
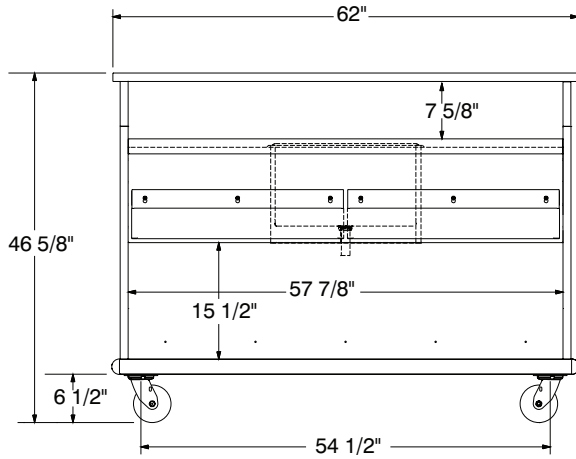
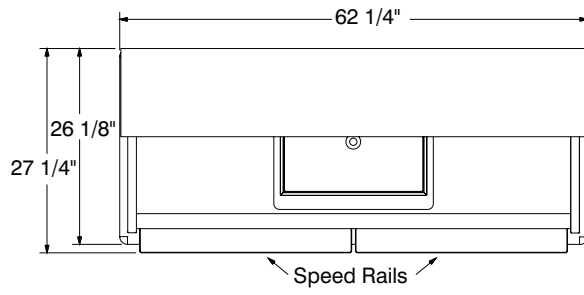
Add Model Number At End Of Portable Bar Model Number When Ordering (Example: R-8-B-LCW)

DIMENSIONS and SPECIFICATIONS

TOL ± .125"

ALL DIMENSIONS ARE TYPICAL

AMS-5B



AMS-6B

