



STAINLESS STEEL POLY-TOP WORK TABLES



Item #: _____ Qty #: _____

Model #: _____

Project #: _____



SPT SERIES



TSPT SERIES



SPS SERIES



TSPS SERIES

Die-formed FLUSH TABS
Virtually self-cleaning
and indestructible



LEG GUSSETS welded into
a box-design structure...
guarantees rigidity



FEATURES:

Flat **Poly-Vance**® working surface with welded stainless steel angle frame and die-formed flush tabs.

Front to back Stretchers are welded to legs. Left to right Stretcher bolted to legs and requires assembly.

Cutting board does not exceed 50 lbs. (or larger than 36" x 36" as required for NSF approval.)

Aluminum die cast "Leg to shelf" clamp secures shelf to Leg eliminating unsightly nuts and bolts.

Undershaft is adjustable.

CONSTRUCTION:

All TIG welded. Exposed areas mechanically polished to a satin finish.

Leg gussets welded into a box-design structure for added rigidity.

Roll formed embossed galvanized hat channels are secured to top by means of structural adhesive and weld studs.

MATERIAL:

FRAME is 12 gauge stainless steel type "304" series.
Support members all stainless steel.

LEGS are 1 5/8" dia. tubular 16 gauge type "304" series stainless steel with stainless steel gussets and 1" adjustable stainless bullet feet.

SPLASH on SPS and TSPS Series is 14 gauge type "304" series stainless steel.

TOP is thick reversible **Poly-Vance**® cutting surface. SPS series 18 gauge undershaft.

SPT SERIES POLY-TOP WITH S/S UNDERSHELF

| LENGTH | 24" Wide | 30" Wide | wt. |
|--------|----------|----------|----------|
| 48" | SPT-244 | SPT-304 | 77 lbs. |
| 60" | SPT-245 | SPT-305 | 69 lbs. |
| 72" | SPT-246 | SPT-306 | 117 lbs. |
| 84" | SPT-247 | SPT-307 | 130 lbs. |
| 96" | SPT-248 | SPT-308 | 141 lbs. |
| 108" | SPT-249 | SPT-309 | 180 lbs. |
| 120" | SPT-2410 | SPT-3010 | 201 lbs. |

TSPT SERIES POLY-TOP WITH TUBULAR BASE

| LENGTH | 24" Wide | 30" Wide | wt. |
|--------|-----------|-----------|----------|
| 48" | TSPT-244 | TSPT-304 | 77 lbs. |
| 60" | TSPT-245 | TSPT-305 | 69 lbs. |
| 72" | TSPT-246 | TSPT-306 | 117 lbs. |
| 84" | TSPT-247 | TSPT-307 | 130 lbs. |
| 96" | TSPT-248 | TSPT-308 | 141 lbs. |
| 108" | TSPT-249 | TSPT-309 | 180 lbs. |
| 120" | TSPT-2410 | TSPT-3010 | 201 lbs. |

SPS SERIES 6" BACKSPASH WITH S/S UNDERSHELF

| LENGTH | 24" Wide | 30" Wide | wt. |
|--------|----------|----------|----------|
| 48" | SPS-244 | SPS-304 | 85 lbs. |
| 60" | SPS-245 | SPS-305 | 100 lbs. |
| 72" | SPS-246 | SPS-306 | 130 lbs. |
| 84" | SPS-247 | SPS-307 | 145 lbs. |
| 96" | SPS-248 | SPS-308 | 160 lbs. |
| 108" | SPS-249 | SPS-309 | 180 lbs. |
| 120" | SPS-2410 | SPS-3010 | 220 lbs. |

TSPS SERIES 6" BACKSPASH WITH TUBULAR BASE

| LENGTH | 24" Wide | 30" Wide | wt. |
|--------|-----------|-----------|----------|
| 48" | TSPS-244 | TSPS-304 | 85 lbs. |
| 60" | TSPS-245 | TSPS-305 | 100 lbs. |
| 72" | TSPS-246 | TSPS-306 | 130 lbs. |
| 84" | TSPS-247 | TSPS-307 | 145 lbs. |
| 96" | TSPS-248 | TSPS-308 | 160 lbs. |
| 108" | TSPS-249 | TSPS-309 | 180 lbs. |
| 120" | TSPS-2410 | TSPS-3010 | 220 lbs. |



Customer Service Available To Assist You **1-800-645-3166** 8:30 am - 8:00 pm E.S.T.

Email Orders To: customer@advancetabco.com. For Smart Fabrication™ Quotes, Email To: smartfab@advancetabco.com or Fax To: 631-586-2933

NEW YORK
Fax: (631) 242-6900

GEORGIA
Fax: (770) 775-5625

TEXAS
Fax: (972) 932-4795

NEVADA
Fax: (775) 972-1578

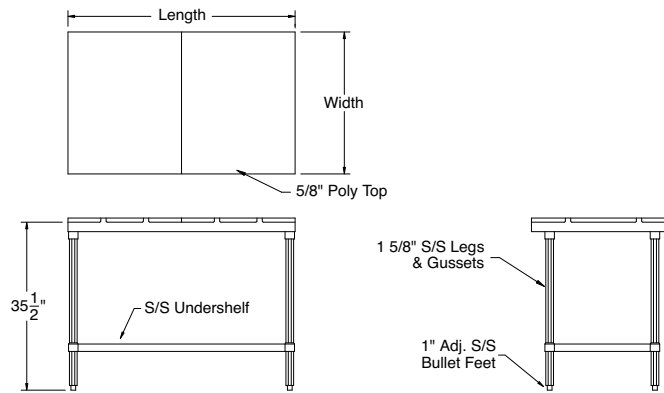
DETAILS and SPECIFICATIONS

TOL ± .500"

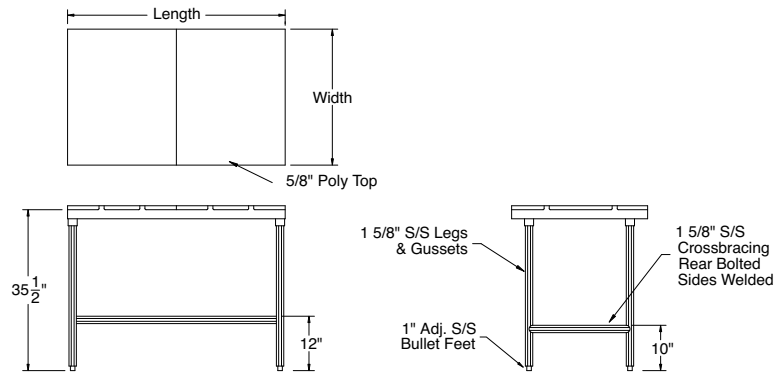
Units 8 ft. & larger are furnished with six (6) legs.

ALL DIMENSIONS ARE TYPICAL

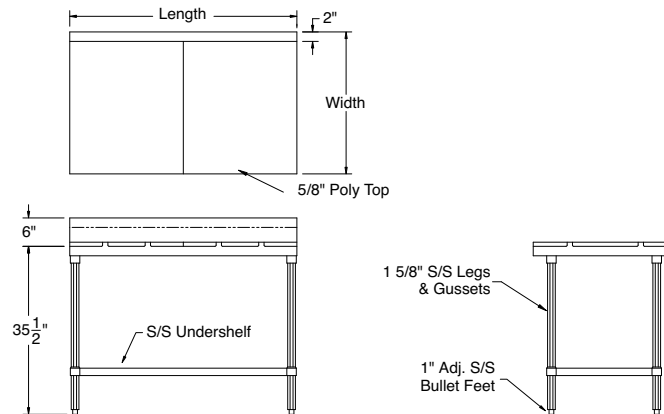
SPT SERIES POLY-TOP WITH S/S UNDER-SHELF



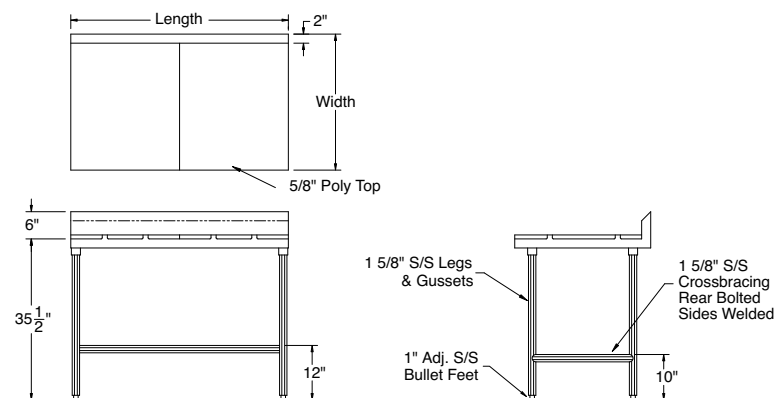
TSPT SERIES POLY-TOP WITH TUBULAR BASE



SPS SERIES 6" BACKSPLASH WITH S/S UNDERSHELF



TSPS SERIES 6" BACKSPLASH WITH TUBULAR BASE



ADVANCE TABCO is constantly engaged in a program of improving our products. Therefore, we reserve the right to change specifications without prior notice.