



FIXED FRONT SELF-SERVE FOOD SHIELDS

With Glass Top

Item #: _____ Qty #: _____
 Model #: _____
 Project #: _____



STFS-36 Shown



(L)	12" WIDE (W)	Approx. Wt.	18" WIDE (W)	Approx. Wt.	Clear Dimension (A)	Leg Center Line (B)	Approx. Cu. Ft.
36"	STFS-12-36	127 lbs.	STFS-18-36	133 lbs.	30"	31"	18
48"	STFS-12-48	162 lbs.	STFS-18-48	173 lbs.	42"	43"	23
60"	STFS-12-60*	202 lbs.	STFS-18-60*	216 lbs.	54"	55"	29
72"	STFS-12-72*	238 lbs.	STFS-18-72*	253 lbs.	66"	67"	34
84"	STFS-12-84†	274 lbs.	STFS-18-84†	292 lbs.	38-1/2"	39-1/2"	39
96"	STFS-12-96†	309 lbs.	STFS-18-96	330 lbs.	44-1/2"	45-1/2"	44
108"	STFS-12-108††	338 lbs.	STFS-18-108††	362 lbs.	50-1/2"	51-1/2"	49
120"	STFS-12-120††	391 lbs.	STFS-18-120††	417 lbs.	56-1/2"	57-1/2"	55
132"	STFS-12-132††	427 lbs.	STFS-18-132††	457 lbs.	62-1/2"	63-1/2"	60
144"	STFS-12-144††	455 lbs.	STFS-18-144††	489 lbs.	45-5/16"	46-5/16"	65

*3/8" Thick Heat-Tempered Glass Required For Front Glass †Requires a single pair of center legs ††Requires two pair of center legs

FEATURES:

- 3/8" Thick Heat-Tempered Top Glass
- 1/4" Thick Heat-Tempered Front Glass*
- 1/4" Thick Heat-Tempered Glass Side Panels
- 1" Stainless Steel Round Tubing
- Includes Standard Concealed Mounting Hardware

CONSTRUCTION:

All TIG welded.

MATERIAL:

- 1/4" Thick Heat-Tempered Side Glass.
- 1/4" or 3/8" Thick Heat-Tempered Front Glass.
- Posts - 1" Stainless Steel.
- Finish - Aluminum components are anodized to a satin finish. Stainless components polished.
- TOP SHELF: 3/8" Thick Heat-Tempered Top Glass

Optional Accessories

Surface Mounting Brackets

Use when access below countertop is not available.

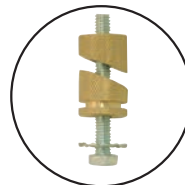


SG-1
Fits 1" Posts

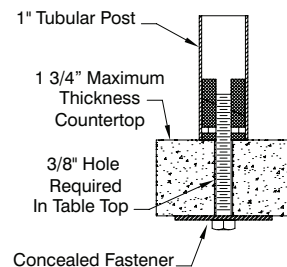
(Compatible With All Advance Tabco Food Shields)

Standard Concealed Mounting Hardware

Requires access below counter for installation.



Brass Expander Table Mounting Hardware Included. For traditional undermount installation (1" tubing only)



Customer Service Available To Assist You 1-800-645-3166 8:30 am - 7:00 pm E.S.T.

For Orders & Customer Service:

Email: customer@advancetabco.com or Fax: 631-242-6900

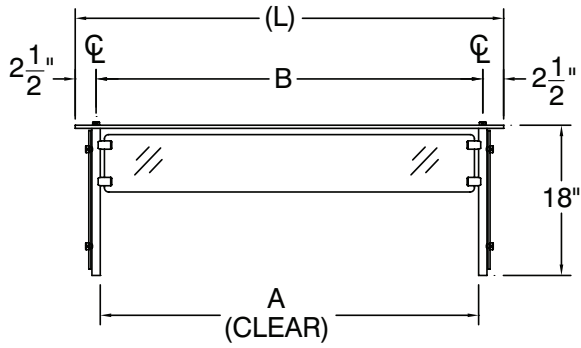
For Smart Fabrication™ Quotes:

Email: smartfab@advancetabco.com or Fax: 631-586-2933

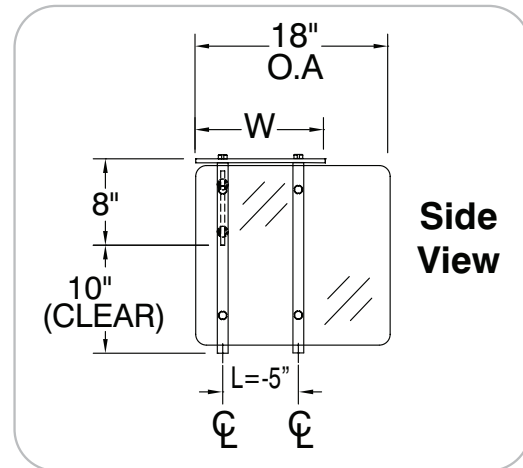
DETAILS and SPECIFICATIONS

TOL ± .500"

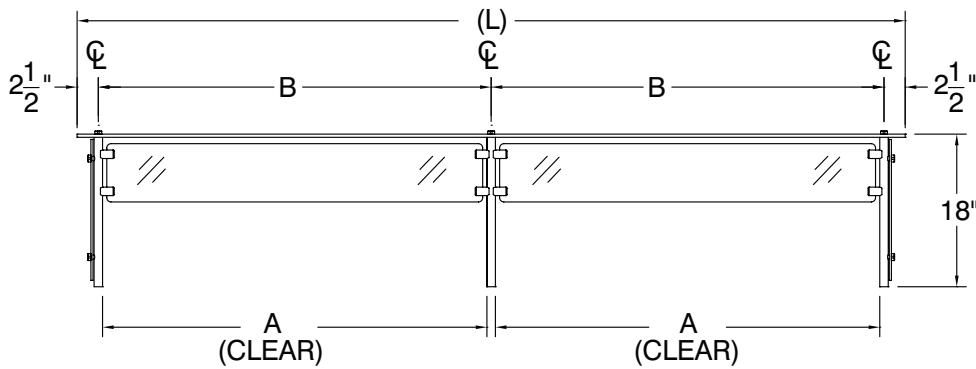
ALL DIMENSIONS ARE TYPICAL



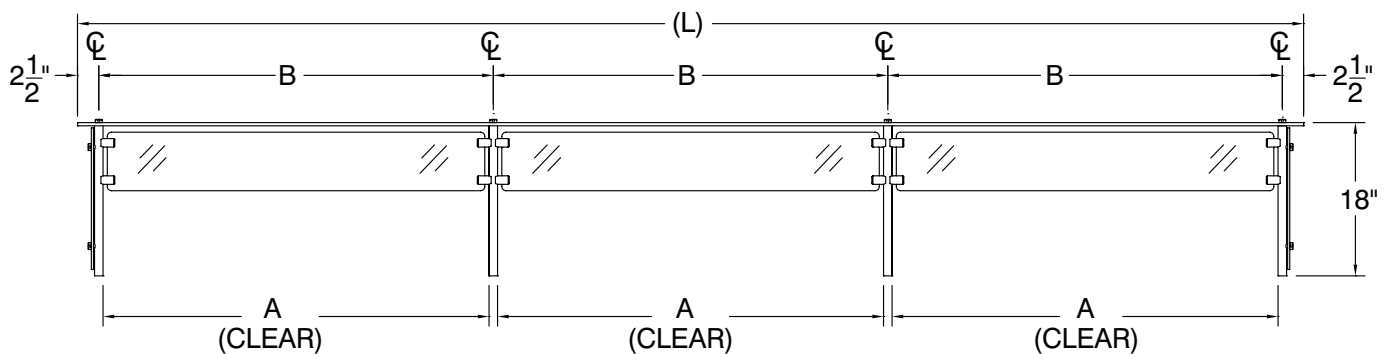
36" - 72" Length Food Shields



Side View



84" - 132" Length Food Shields



144" Length Food Shields

