



# FIXED FRONT CAFETERIA FOOD SHIELDS With Glass Top



STFC-36 Shown

Item #: \_\_\_\_\_ Qty #: \_\_\_\_\_  
 Model #: \_\_\_\_\_  
 Project #: \_\_\_\_\_



(L)	12" WIDE (W)	Approx. Wt.	18" WIDE (W)	Approx. Wt.	Clear Dimension (A)	Leg Center Line (B)	Approx. Cu. Ft.
36"	STFC-12-36	133 lbs.	STFC-18-36	141 lbs.	30"	31"	18
48"	STFC-12-48	173 lbs.	STFC-18-48	182 lbs.	42"	43"	23
60"	STFC-12-60*	222 lbs.	STFC-18-60*	236 lbs.	54"	55"	29
72"	STFC-12-72*	274 lbs.	STFC-18-72*	269 lbs.	66"	67"	34
84"	STFC-12-84†	292 lbs.	STFC-18-84†	311 lbs.	38-1/2"	39-1/2"	39
96"	STFC-12-96†	330 lbs.	STFC-18-96	351 lbs.	44-1/2"	45-1/2"	44
108"	STFC-12-108††	367 lbs.	STFC-18-108††	391 lbs.	50-1/2"	51-1/2"	49
120"	STFC-12-120††	406 lbs.	STFC-18-120††	434 lbs.	56-1/2"	57-1/2"	55
132"	STFC-12-132††	447 lbs.	STFC-18-132††	477 lbs.	62-1/2"	63-1/2"	60
144"	STFC-12-144††	489 lbs.	STFC-18-144††	522 lbs.	45-5/16"	46-5/16"	65

\*3/8" Thick Heat-Tempered Glass Required For Front Glass †Requires a single pair of center legs ††Requires two pair of center legs

### FEATURES:

- 3/8" Thick Heat-Tempered Top Glass
- 1/4" Thick Heat-Tempered Front Glass\*
- 1/4" Thick Heat-Tempered Glass Side Panels
- 1" Stainless Steel Round Tubing
- Includes Standard Concealed Mounting Hardware

### CONSTRUCTION:

All TIG welded.

### MATERIAL:

- 1/4" Thick Heat-Tempered Side Glass.
- 1/4" or 3/8" Thick Heat-Tempered Front Glass.
- Posts - 1" Stainless Steel.
- Finish - Aluminum components are anodized to a satin finish. Stainless components polished.
- TOP SHELF: 3/8" Thick Heat-Tempered Top Glass

**Optional Accessories**

**Surface Mounting Brackets**

Use when access below countertop is not available.

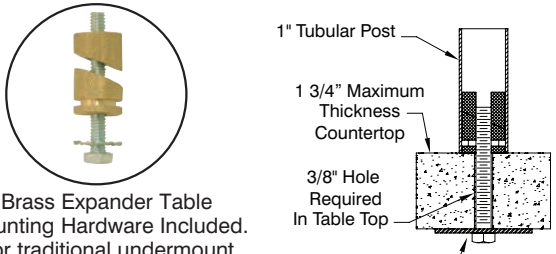


**SG-1**  
Fits 1" Posts

(Compatible With All Advance Tabco Food Shields)

**Standard Concealed Mounting Hardware**

Requires access below counter for installation.



Brass Expander Table Mounting Hardware Included. For traditional undermount installation (1" tubing only)



Customer Service Available To Assist You **1-800-645-3166** 8:30 am - 7:00 pm E.S.T.

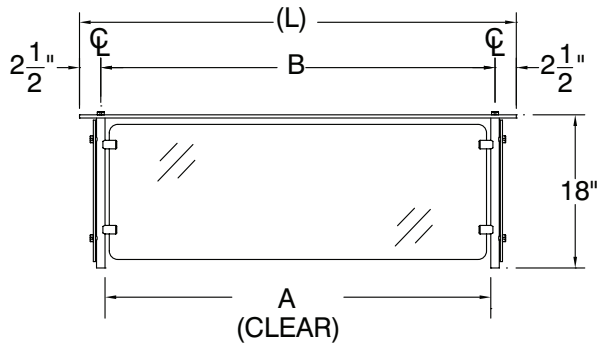
For Orders & Customer Service:  
 Email: [customer@advancetabco.com](mailto:customer@advancetabco.com) or Fax: 631-242-6900

For Smart Fabrication™ Quotes:  
 Email: [smartfab@advancetabco.com](mailto:smartfab@advancetabco.com) or Fax: 631-586-2933

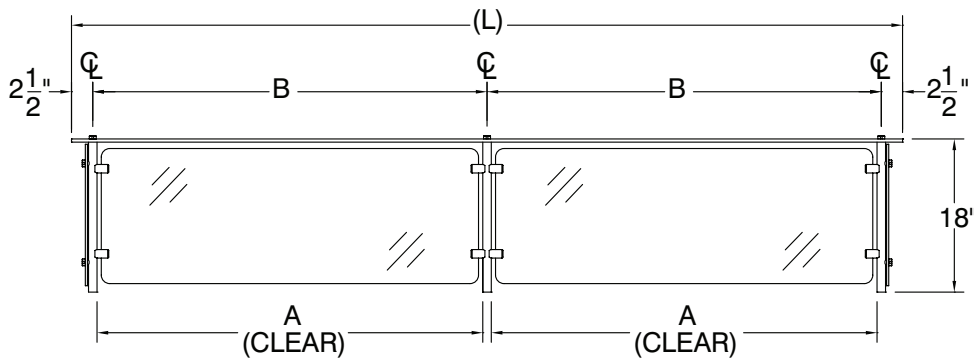
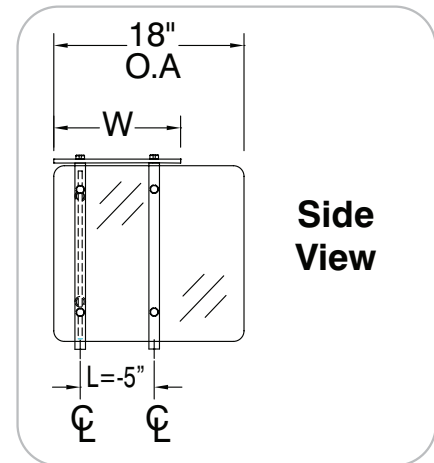
# DETAILS and SPECIFICATIONS

TOL ± .500"

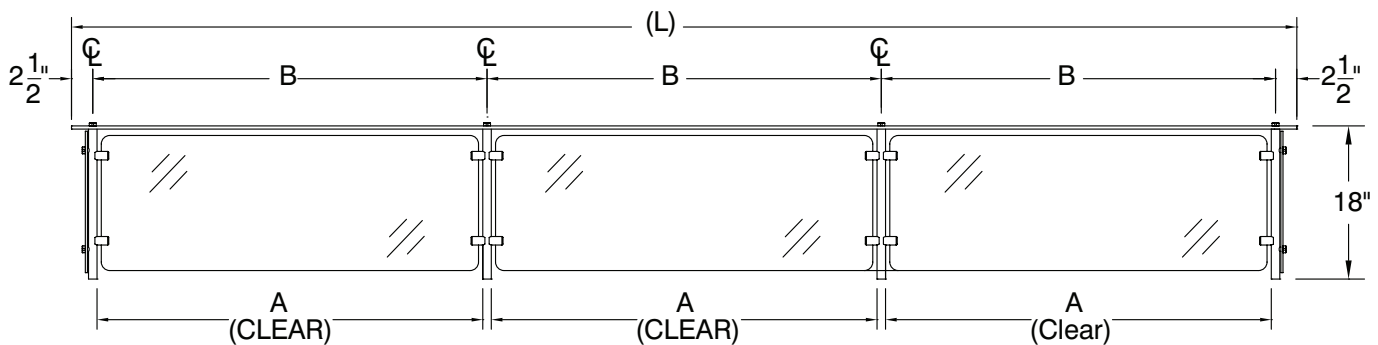
ALL DIMENSIONS ARE TYPICAL



**36" - 72" Length Food Shields**



**84" - 132" Length Food Shields**



**144" Length Food Shields**

