



STAINLESS STEEL

# DROP-IN SINKS

## Smart Series™ Single & Double Bowl Drop-Ins



Item #: \_\_\_\_\_ Qty #: \_\_\_\_\_  
 Model #: \_\_\_\_\_  
 Project #: \_\_\_\_\_

Available Faucets & Accessories	Model #	Qty
Deck Mtd. Concealed 6 1/2" Spout. 8" O.C.	<b>K-49</b>	
Deck Mounted 8" Swing Spout. 4" O.C.*	<b>K-50</b>	
Deck Mounted. 12" Swing Spout. 4" O.C.*	<b>K-53</b>	
Deck Mounted 8 1/2" Gooseneck. 4" O.C.*	<b>K-55</b>	
Deck Mounted Swing w/Spray. 8" O.C.	<b>K-58</b>	
Thick-Counter Mounting Clips for Countertops over 7/8" and up to 2". (Qty. supplied varies based on sink ordered)	<b>K-28</b>	

\*REQUIRES K-149 FAUCET HOLE REVISION

**Standard Faucet conforms to NSF 61 Standard 9.**  
**An optional faucet upgrade is required for compliance to AB 1953 Standards.**

For Replacement Faucets & Upgrades, Drains & Accessories visit our website at [www.advancetabco.com](http://www.advancetabco.com)

**FEATURES:**

One piece seamless **Deep Drawn** stainless steel bowls. Self rimming design.  
 Flat deck allowing for more faucet options.  
 All bowls are sound deadened.  
 Units feature Advance Tabco's **Smart Finish™**.  
 Stainless Steel 1-1/2 IPS basket drain.

**MATERIALS:**

Stainless Steel Type 304 18 Gauge

**DESIGN:**

Mounting hardware is provided. For counters over 7/8" and up to 1-1/2" thick, please order Thick-Counter Mounting Clips for Drop-In Sinks, **Model # K-28 Per Sink**. (Quantity supplied varies based on drop in sink ordered).  
 Unit punched with 1 1/8" dia. faucet holes.

Standard Mounting Clips For Countertops 7/8" Thick or Less (Included)



**K-28 (Per Sink)** Mounting Clips For Countertops Over 7/8" Thick (Maximum of 1 1/2")



**SINGLE BOWL DROP-IN SINKS**

MODEL#	OVERALL LxW	BOWL SIZE LxW	BOWL DEPTH* (D)	CUTOUT (1 1/4" RADIUS CORNERS)	Approx. Wt.
SS-1-1715-7	17"x15"	14"x10"	7-1/2"	16 1/4"x14 1/4"	12 lbs.
SS-1-1919-7	19"x19"	16"x14"	7-1/2"	18 1/4"x18 1/4"	16 lbs.
SS-1-2321-7	23"x21"	20"x16"	7-1/2"	22 1/4"x20 1/4"	20 lbs.
SS-1-1715-10	17"x15"	14"x10"	10"	16 1/4"x14 1/4"	14 lbs.
SS-1-1919-10	19"x19"	16"x14"	10"	18 1/4"x18 1/4"	18 lbs.
SS-1-2321-10	23"x21"	20"x16"	10"	22 1/4"x20 1/4"	22 lbs.
SS-1-1919-12	19"x19"	16"x14"	12"	18 1/4"x18 1/4"	20 lbs.
SS-1-2321-12	23"x21"	20"x16"	12"	22 1/4"x20 1/4"	24 lbs.

**DOUBLE BOWL DROP-IN SINKS**

MODEL#	OVERALL LxW	BOWL SIZE LxW	BOWL DEPTH* (D)	CUTOUT (1 1/4" RADIUS CORNERS)	Approx. Wt.
SS-2-3321-7	33 1/2"x21"	14"x16"	7-1/2"	32 3/4"x20 1/4"	33 lbs.
SS-2-4521-7	45 1/2"x21"	20"x16"	7-1/2"	44 3/4"x20 1/4"	38 lbs.
SS-2-3321-10	33 1/2"x21"	14"x16"	10"	32 3/4"x20 1/4"	35 lbs.
SS-2-4521-10	45 1/2"x21"	20"x16"	10"	44 3/4"x20 1/4"	39 lbs.
SS-2-3321-12	33 1/2"x21"	14"x16"	12"	32 3/4"x20 1/4"	37 lbs.
SS-2-4521-12	45 1/2"x21"	20"x16"	12"	44 3/4"x20 1/4"	40 lbs.

Length is Left to Right. Width is Front to Back



Customer Service Available To Assist You **1-800-645-3166** 8:30 am - 8:00 pm E.S.T.

Email Orders To: [customer@advancetabco.com](mailto:customer@advancetabco.com). For Smart Fabrication™ Quotes, Email To: [smartfab@advancetabco.com](mailto:smartfab@advancetabco.com) or Fax To: 631-586-2933

**NEW YORK**  
 Fax: (631) 242-6900

**GEORGIA**  
 Fax: (770) 775-5625

**TEXAS**  
 Fax: (972) 932-4795

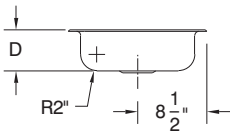
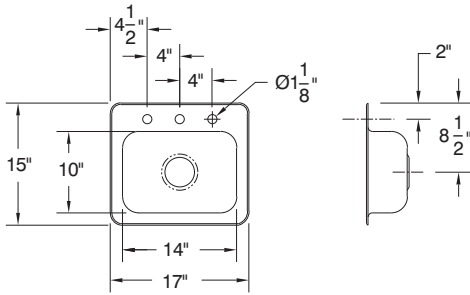
**NEVADA**  
 Fax: (775) 972-1578

# DIMENSIONS and SPECIFICATIONS

TOL ± .125"

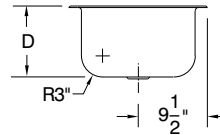
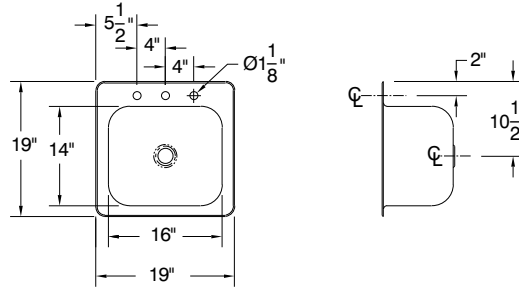
ALL DIMENSIONS ARE TYPICAL

## SS-1-1715 Series



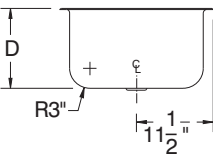
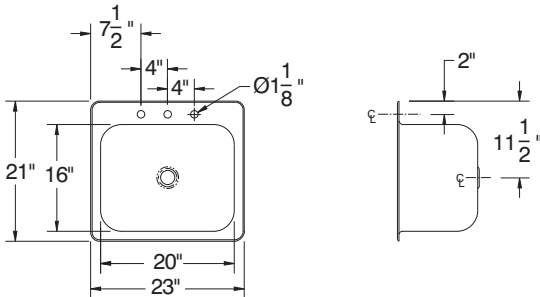
**Cut-Out Size**  
16 1/4" x 14 1/4"  
1 1/4" radius corners

## SS-1-1919 Series



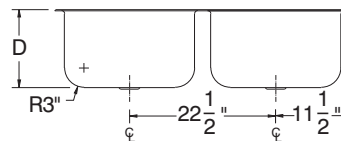
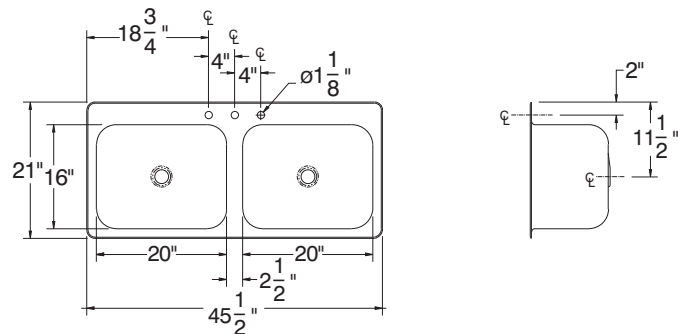
**Cut-Out Size**  
18 1/4" x 18 1/4"  
1 1/4" radius corners

## SS-1-2321 Series



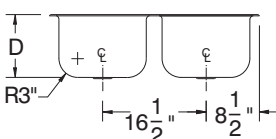
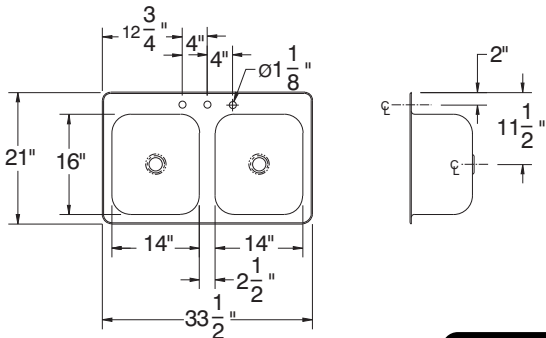
**Cut-Out Size**  
22 1/4" x 20 1/4"  
1 1/4" radius corners

## SS-2-4521 Series



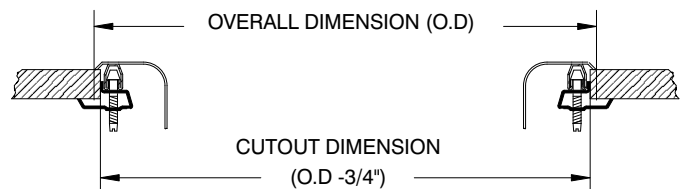
**Cut-Out Size**  
44 3/4" x 20 1/4"  
1 1/4" radius corners

## SS-2-3321 Series



**Cut-Out Size**  
32 3/4" x 20 1/4"  
1 1/4" radius corners

## TYPICAL INSTALLATION



**Cut-Out Size = L to R x F to B**

