



# Sleek Shields™

## CAFETERIA FOOD SHIELDS

### WITH STAINLESS STEEL SHELF OR GLASS TOP

Protected by: Patent No. US 9,010,883 B2

#### CAFETERIA FOOD SHIELD w/ Stainless Steel Shelf



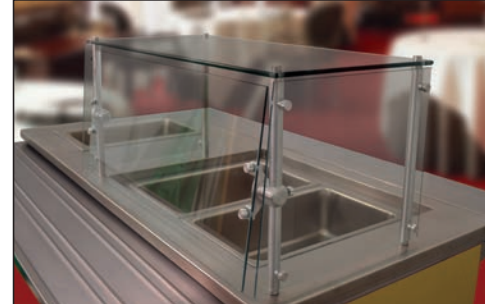
1-1/2" Standard Glass Opening (Maximum 1-1/2") From Table To Bottom Of Glass.



Advance Tabco's Revolutionary "Chamber Lock" System makes rotating food shields easier than ever



#### CAFETERIA FOOD SHIELD w/ Glass Top



1-1/2" Standard Glass Opening (Maximum 1-1/2") From Table To Bottom Of Glass.  
Max. Load For Top Glass Is 100 Lbs. Evenly Distributed Wt.

#### SINGLE TIER w/ STAINLESS STEEL SHELF

#### SINGLE TIER w/ GLASS TOP

| L    | 12" WIDE      |             |                 | 15" WIDE      |             |                 | 18" WIDE      |             |                 | 12" WIDE      |             |                 | 15" WIDE      |             |                 | 18" WIDE      |             |                 |
|------|---------------|-------------|-----------------|---------------|-------------|-----------------|---------------|-------------|-----------------|---------------|-------------|-----------------|---------------|-------------|-----------------|---------------|-------------|-----------------|
|      | Model         | Approx. Wt. | Approx. Cu. Ft. | Model         | Approx. Wt. | Approx. Cu. Ft. | Model         | Approx. Wt. | Approx. Cu. Ft. | Model         | Approx. Wt. | Approx. Cu. Ft. | Model         | Approx. Wt. | Approx. Cu. Ft. | Model         | Approx. Wt. | Approx. Cu. Ft. |
| 36"  | NSGC-12-36    | 125 lbs.    | 18              | NSGC-15-36    | 128 lbs.    | 18              | NSGC-18-36    | 130 lbs.    | 18              | GSGC-12-36    | 133 lbs.    | 18              | GSGC-15-36    | 137 lbs.    | 18              | GSGC-18-36    | 141 lbs.    | 18              |
| 48"  | NSGC-12-48    | 160 lbs.    | 23              | NSGC-15-48    | 163 lbs.    | 23              | NSGC-18-48    | 167 lbs.    | 23              | GSGC-12-48    | 173 lbs.    | 23              | GSGC-15-48    | 176 lbs.    | 23              | GSGC-18-48    | 182 lbs.    | 23              |
| 60"  | NSGC-12-60*   | 185 lbs.    | 29              | NSGC-15-60*   | 190 lbs.    | 29              | NSGC-18-60*   | 193 lbs.    | 29              | GSGC-12-60*   | 222 lbs.    | 29              | GSGC-15-60*   | 229 lbs.    | 29              | GSGC-18-60*   | 236 lbs.    | 29              |
| 72"  | NSGC-12-72*   | 231 lbs.    | 34              | NSGC-15-72*   | 239 lbs.    | 34              | NSGC-18-72*   | 244 lbs.    | 34              | GSGC-12-72*   | 274 lbs.    | 34              | GSGC-15-72*   | 260 lbs.    | 34              | GSGC-18-72*   | 269 lbs.    | 34              |
| 84"  | NSGC-12-84†   | 270 lbs.    | 39              | NSGC-15-84†   | 274 lbs.    | 39              | NSGC-18-84†   | 281 lbs.    | 39              | GSGC-12-84†   | 292 lbs.    | 39              | GSGC-15-84†   | 300 lbs.    | 39              | GSGC-18-84†   | 311 lbs.    | 39              |
| 96"  | NSGC-12-96†   | 306 lbs.    | 44              | NSGC-15-96†   | 308 lbs.    | 44              | NSGC-18-96†   | 317 lbs.    | 44              | GSGC-12-96†   | 330 lbs.    | 44              | GSGC-15-96†   | 340 lbs.    | 44              | GSGC-18-96    | 351 lbs.    | 44              |
| 108" | NSGC-12-108†† | 340 lbs.    | 49              | NSGC-15-108†† | 347 lbs.    | 49              | NSGC-18-108†† | 353 lbs.    | 49              | GSGC-12-108†† | 367 lbs.    | 49              | GSGC-15-108†† | 377 lbs.    | 49              | GSGC-18-108†† | 391 lbs.    | 49              |
| 120" | NSGC-12-120†† | 376 lbs.    | 55              | NSGC-15-120†† | 383 lbs.    | 55              | NSGC-18-120†† | 391 lbs.    | 55              | GSGC-12-120†† | 406 lbs.    | 55              | GSGC-15-120†† | 419 lbs.    | 55              | GSGC-18-120†† | 434 lbs.    | 55              |
| 132" | NSGC-12-132†† | 414 lbs.    | 60              | NSGC-15-132†† | 422 lbs.    | 60              | NSGC-18-132†† | 431 lbs.    | 60              | GSGC-12-132†† | 447 lbs.    | 60              | GSGC-15-132†† | 461 lbs.    | 60              | GSGC-18-132†† | 477 lbs.    | 60              |
| 144" | NSGC-12-144†† | 450 lbs.    | 65              | NSGC-15-144†† | 574 lbs.    | 65              | NSGC-18-144†† | 467 lbs.    | 65              | GSGC-12-144†† | 489 lbs.    | 65              | GSGC-15-144†† | 505 lbs.    | 65              | GSGC-18-144†† | 522 lbs.    | 65              |

\* 3/8" Thick Heat-Tempered Glass Required For Front Glass

† Requires a single pair of center legs

†† Requires two pair of center legs

#### FEATURES:

- Front glass locks in place at 15° intervals.
- Attractive, low profile design & easy to clean.
- Stainless steel 1" diameter posts.
- Chamber Lock™ is mounted to post in a fixed position.
- Includes two 1/4" Heat-Tempered Side Glass.
- 1/4" or 3/8" Heat-Tempered Front Glass Panels (See Above Chart for "\*" Symbol).

#### NSGC Series Stainless Steel Shelving

Shelves have rolled edges on front & rear and square edges on left & right sides.

#### GSGC Series Glass Top Unit

Features 3/8" Heat-Tempered Glass Top.

#### CONSTRUCTION:

- All TIG welded.
- Exposed stainless steel surfaces polished to a satin finish.

#### MATERIAL:

- 1/4" Thick Heat-Tempered Side Glass.
- 1/4" or 3/8" Thick Heat-Tempered Front Glass.
- Posts - 1" Stainless Steel.
- Chamber Lock™ Sleek Shield Assemblies - Anodized Aluminum.
- Finish - Aluminum components are anodized to a satin finish.
- Stainless components polished.

#### TOP SHELF:

- NSGC Series: Shelf - 18 Ga., Type 430 Stainless Steel.
- GSGC Series: 3/8" Thick Heat-Tempered Top Glass.



Customer Service Available To Assist You 1-800-645-3166 8:30 am - 8:00 pm E.S.T.

For Orders & Customer Service:

Email: customer@advancetabco.com or Fax: 631-242-6900

For Smart Fabrication™ Quotes:

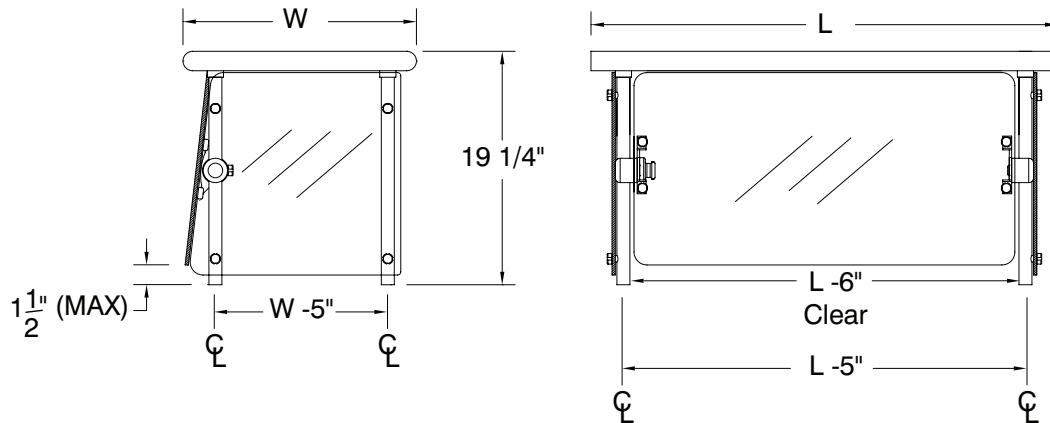
Email: smartfab@advancetabco.com or Fax: 631-586-2933

# DETAILS and SPECIFICATIONS

TOL ± .500"

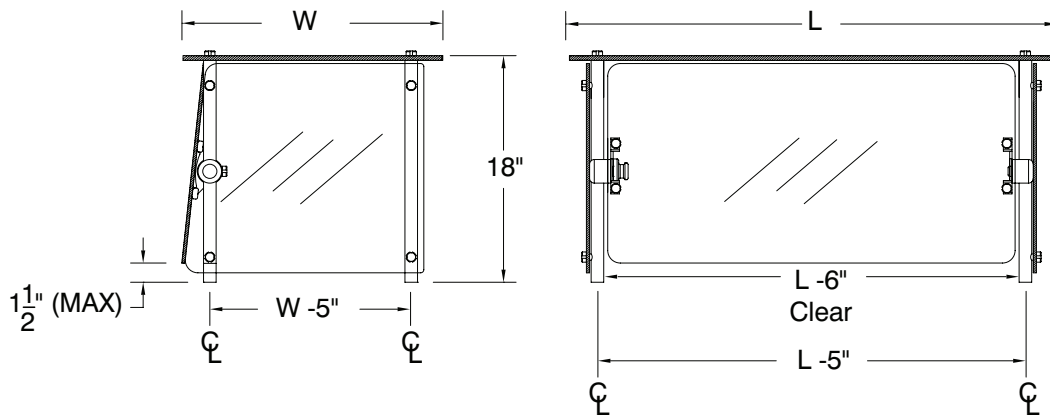
ALL DIMENSIONS ARE TYPICAL

## NSGC SERIES SINGLE TIER with Stainless Steel Shelf



1-1/2" Standard Glass Opening (Maximum 1-1/2") From Table To Bottom Of Glass.  
NSF Requires Side Glass to be 18" Wide Minimum

## GSGC SERIES SINGLE TIER with Glass Top



1-1/2" Standard Glass Opening (Maximum 1-1/2") From Table To Bottom Of Glass.  
Nsf Requires Side Glass To Be 18" Wide Minimum. Max. Load For Top Glass Is 100 Lbs. Evenly Distributed Weight

### Optional Accessories

(Compatible With All Advance Tabco Food Shields)



SG-1



SG-C



SG-S

**SG-1** Surface Mounting Brackets for use when access below countertop is not available. Fits 1" Posts, 2" Dia.

**SG-3** Modify Food Shield mounting for countertops exceeding 1 3/4" thickness.

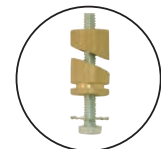
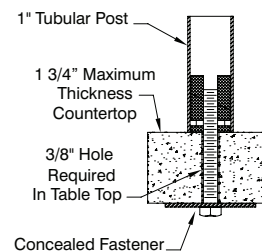
**SG-C** Upgrade Center Food Shield Leg to be cantilevered over installed equipment (Per Leg). Cannot replace End Posts/Brackets. Consult factory for special applications.

**SG-S** Sleek Shield™ horizontal swivel bracket. Used to connect food shields positioned at variable angles.

Custom color for aluminum (**SG-AN**) and stainless steel (**SG-PC**) components available. Consult factory.  
LED lights & mounting of customer-supplied heat lamps is available. Consult factory.

### Standard Concealed Mounting Hardware

Requires access below counter for installation.



**Brass Expander Included**

Brass Expander Table Mounting Hardware Included.  
For traditional undermount installation (1" tubing only)

