



# Sleek Shields™

## SELF SERVICE FOOD SHIELDS

### DOUBLE TIER WITH STAINLESS STEEL SHELF

Protected by: Patent No. US 9,010,883 B2



1-1/2" Standard Glass Opening (Maximum 1-1/2") From Table To Bottom Of Glass.  
(Shown With 1" Anodized Aluminum Posts)



Advance Tabco's Revolutionary "Chamber Lock" System makes rotating food shields easier than ever

Item #: \_\_\_\_\_ Qty #: \_\_\_\_\_  
 Model #: \_\_\_\_\_  
 Project #: \_\_\_\_\_



Meets Latest NSF Standards

#### FEATURES:

- Front glass locks in place at 15° intervals.
- Attractive, low profile design & Easy to clean.
- Stainless steel 1" diameter posts.
- Chamber lock™ is mounted to post in a fixed position.
- Includes two 1/4" Heat-Tempered Side Glass.
- 1/4" or 3/8" Heat-Tempered Glass Front Panels. (See Chart For "★" Symbol).

#### NDSG Series Stainless Steel Shelving:

Shelves have two rolled edges on front & rear and square edges on left & right sides.

#### CONSTRUCTION:

All TIG welded  
 Exposed stainless steel surfaces polished to a satin finish.

#### MATERIAL:

- 1/4" Thick Heat-Tempered Side Glass.
- 1/4" or 3/8" Thick Heat-Tempered Front Glass.
- Posts - 1" Stainless Steel.
- Chamber Lock™ Sleek Shield Assemblies - Anodized Aluminum.
- Finish - Aluminum components are anodized to a satin finish.
- Stainless components polished.

#### TOP SHELF:

NDSG Series: Shelf - 18 Ga., Type 430 Stainless Steel.

Length	12" WIDE Model #	Approx. Weight	15" WIDE Model #	Approx. Weight	18" WIDE Model #	Approx. Weight	Approx. Cu. Ft.
36"	NDSG-12-36	155 lbs.	NDSG-15-36	160 lbs.	NDSG-18-36	166 lbs.	26
48"	NDSG-12-48	194 lbs.	NDSG-15-48	199 lbs.	NDSG-18-48	206 lbs.	34
60"	NDSG-12-60★	243 lbs.	NDSG-15-60★	250 lbs.	NDSG-18-60★	258 lbs.	41
72"	NDSG-12-72★	277 lbs.	NDSG-15-72★	290 lbs.	NDSG-18-72★	308 lbs.	49
84"	NDSG-12-84†	324 lbs.	NDSG-15-84†	330 lbs.	NDSG-18-84†	344 lbs.	56
96"	NDSG-12-96†	353 lbs.	NDSG-15-96†	365 lbs.	NDSG-18-96†	376 lbs.	64
108"	NDSG-12-108††	399 lbs.	NDSG-15-108††	405 lbs.	NDSG-18-108††	411 lbs.	71
120"	NDSG-12-120††	443 lbs.	NDSG-15-120††	445 lbs.	NDSG-18-120††	457 lbs.	79
132"	NDSG-12-132††	483 lbs.	NDSG-15-132††	496 lbs.	NDSG-18-132††	503 lbs.	86
144"	NDSG-12-144††	513 lbs.	NDSG-15-144††	546 lbs.	NDSG-18-144††	546 lbs.	94

★ 3/8" Thick Heat-Tempered Glass Required For Front Glass

† Requires a single pair of center legs

†† Requires two pair of center legs



Customer Service Available To Assist You 1-800-645-3166 8:30 am - 7:00 pm E.S.T.

For Orders & Customer Service:

Email: customer@advancetabco.com or Fax: 631-242-6900

For Smart Fabrication™ Quotes:

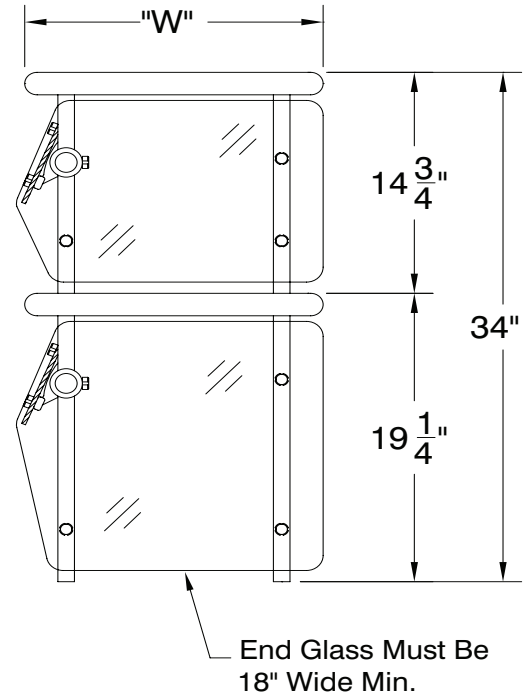
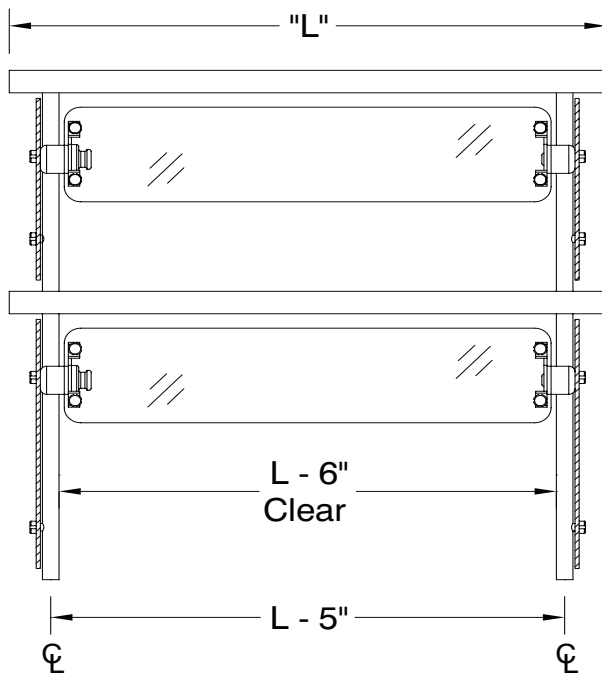
Email: smartfab@advancetabco.com or Fax: 631-586-2933

# DETAILS and SPECIFICATIONS

TOL ± .500"

ALL DIMENSIONS ARE TYPICAL

## NDSG SERIES DOUBLE TIER with Stainless Steel Shelf



10-1/2" Standard Glass Opening (Maximum 13") From Table To Bottom Of Glass.  
NSF Requires Side Glass to be 18" Wide Minimum.

### Optional Accessories

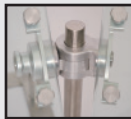
(Compatible With All Advance Tabco Food Shields)



SG-1



SG-C



SG-S

**SG-1** Surface Mounting Brackets for use when access below countertop is not available. Fits 1" Posts, 2" Dia.

**SG-3** Modify Food Shield mounting for countertops exceeding 1 3/4" thickness.

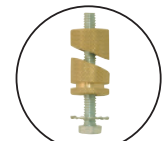
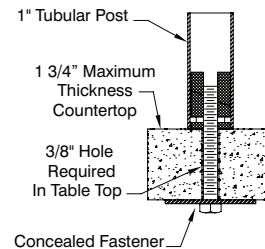
**SG-C** Upgrade Center Food Shield Leg to be cantilevered over installed equipment (Per Leg). Cannot replace End Posts/Brackets. Consult factory for special applications.

**SG-S** Sleek Shield™ horizontal swivel bracket. Used to connect food shields positioned at variable angles.

Custom color for aluminum (**SG-AN**) and stainless steel (**SG-PC**) components available. Consult factory.  
LED lights & mounting of customer-supplied heat lamps is available. Consult factory.

### Standard Concealed Mounting Hardware

Requires access below counter for installation.



**Brass Expander Included**

Brass Expander Table Mounting Hardware Included.  
For traditional undermount installation (1" tubing only)

