



K-54 & K-54A WATER FILLER FAUCETS

Conforms To NSF 61/9 Lead Free Requirements



Click This Link To View Assembly Sheet

FEATURES:

Single water supply.
Colored hot & cold Indexes.
1.0 GPM/3.8 LPM Aerator. 60 PSI.

MATERIAL:

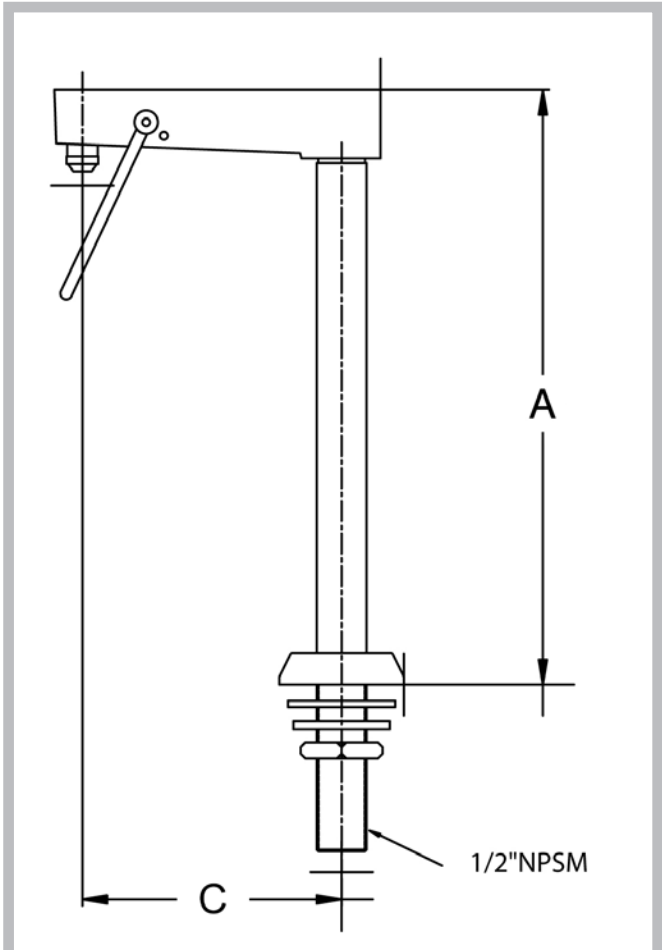
Brass chrome plated body & spout.
Chrome plated handles.



BOTTOM VIEW
1/2" NPS MALE INLET

Item #: _____ Qty #: _____
Model #: _____
Project #: _____

DIMENSIONS and SPECIFICATIONS



K-54/K-54A Replacement Kit

Faucet Not Included.



K-02A (If purchased before 2016 or after 2019)



K-02 (If purchased from 2016 - 2019)

⚠ WARNING:

Faucet(s) on this page may expose you to chemicals, including lead, that are known to the State of California to cause cancer or birth defects or other reproductive harm. For more Info., visit www.p65warnings.ca.gov.

K-54

(A) O.A. Height	(B) Spout to Deck	(C) Width
9 1/2"	8"	4 1/8"

K-54A

(A) O.A. Height	(B) Spout to Deck	(C) Width
13 1/2"	12"	4 1/8"



Customer Service Available To Assist You 1-800-645-3166 8:30 am - 7:00 pm E.S.T.

For Orders & Customer Service:
Email: customer@advancetabco.com or Fax: 631-242-6900

For Smart Fabrication™ Quotes:
Email: smartfab@advancetabco.com or Fax: 631-586-2933