



# Sleek Shields™

## CAFETERIA FOOD SHIELDS

### WITH STAINLESS STEEL SHELF OR GLASS TOP

Protected by: Patent No. US 9,010,883 B2

#### CAFETERIA FOOD SHIELD w/ Stainless Steel Shelf



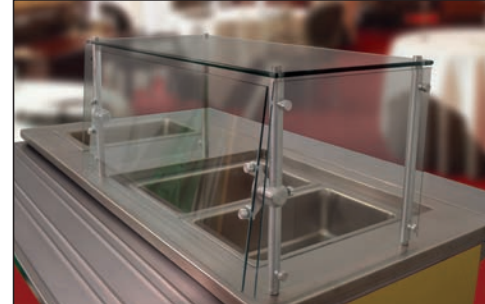
1-1/2" Standard Glass Opening (Maximum 1-1/2") From Table To Bottom Of Glass.



Advance Tabco's Revolutionary "Chamber Lock" System makes rotating food shields easier than ever



#### CAFETERIA FOOD SHIELD w/ Glass Top



1-1/2" Standard Glass Opening (Maximum 1-1/2") From Table To Bottom Of Glass.  
Max. Load For Top Glass Is 100 Lbs. Evenly Distributed Wt.

#### SINGLE TIER w/ STAINLESS STEEL SHELF

#### SINGLE TIER w/ GLASS TOP

L	12" WIDE			15" WIDE			18" WIDE			12" WIDE			15" WIDE			18" WIDE		
	Model	Approx. Wt.	Approx. Cu. Ft.	Model	Approx. Wt.	Approx. Cu. Ft.	Model	Approx. Wt.	Approx. Cu. Ft.	Model	Approx. Wt.	Approx. Cu. Ft.	Model	Approx. Wt.	Approx. Cu. Ft.	Model	Approx. Wt.	Approx. Cu. Ft.
36"	NSGC-12-36	125 lbs.	18	NSGC-15-36	128 lbs.	18	NSGC-18-36	130 lbs.	18	GSGC-12-36	133 lbs.	18	GSGC-15-36	137 lbs.	18	GSGC-18-36	141 lbs.	18
48"	NSGC-12-48	160 lbs.	23	NSGC-15-48	163 lbs.	23	NSGC-18-48	167 lbs.	23	GSGC-12-48	173 lbs.	23	GSGC-15-48	176 lbs.	23	GSGC-18-48	182 lbs.	23
60"	NSGC-12-60*	185 lbs.	29	NSGC-15-60*	190 lbs.	29	NSGC-18-60*	193 lbs.	29	GSGC-12-60*	222 lbs.	29	GSGC-15-60*	229 lbs.	29	GSGC-18-60*	236 lbs.	29
72"	NSGC-12-72*	231 lbs.	34	NSGC-15-72*	239 lbs.	34	NSGC-18-72*	244 lbs.	34	GSGC-12-72*	274 lbs.	34	GSGC-15-72*	260 lbs.	34	GSGC-18-72*	269 lbs.	34
84"	NSGC-12-84†	270 lbs.	39	NSGC-15-84†	274 lbs.	39	NSGC-18-84†	281 lbs.	39	GSGC-12-84†	292 lbs.	39	GSGC-15-84†	300 lbs.	39	GSGC-18-84†	311 lbs.	39
96"	NSGC-12-96†	306 lbs.	44	NSGC-15-96†	308 lbs.	44	NSGC-18-96†	317 lbs.	44	GSGC-12-96†	330 lbs.	44	GSGC-15-96†	340 lbs.	44	GSGC-18-96	351 lbs.	44
108"	NSGC-12-108††	340 lbs.	49	NSGC-15-108††	347 lbs.	49	NSGC-18-108††	353 lbs.	49	GSGC-12-108††	367 lbs.	49	GSGC-15-108††	377 lbs.	49	GSGC-18-108††	391 lbs.	49
120"	NSGC-12-120††	376 lbs.	55	NSGC-15-120††	383 lbs.	55	NSGC-18-120††	391 lbs.	55	GSGC-12-120††	406 lbs.	55	GSGC-15-120††	419 lbs.	55	GSGC-18-120††	434 lbs.	55
132"	NSGC-12-132††	414 lbs.	60	NSGC-15-132††	422 lbs.	60	NSGC-18-132††	431 lbs.	60	GSGC-12-132††	447 lbs.	60	GSGC-15-132††	461 lbs.	60	GSGC-18-132††	477 lbs.	60
144"	NSGC-12-144††	450 lbs.	65	NSGC-15-144††	574 lbs.	65	NSGC-18-144††	467 lbs.	65	GSGC-12-144††	489 lbs.	65	GSGC-15-144††	505 lbs.	65	GSGC-18-144††	522 lbs.	65

\* 3/8" Thick Heat-Tempered Glass Required For Front Glass  
† Requires a single pair of center legs  
†† Requires two pair of center legs

#### FEATURES:

- Front glass locks in place at 15° intervals.
- Attractive, low profile design & easy to clean.
- Stainless steel 1" diameter posts.
- Chamber Lock™ is mounted to post in a fixed position.
- Includes two 1/4" Heat-Tempered Side Glass.
- 1/4" or 3/8" Heat-Tempered Front Glass Panels (See Above Chart for "\*" Symbol).

#### NSGC Series Stainless Steel Shelving

Shelves have rolled edges on front & rear and square edges on left & right sides.

#### GSGC Series Glass Top Unit

Features 3/8" Heat-Tempered Glass Top.

#### CONSTRUCTION:

- All TIG welded.
- Exposed stainless steel surfaces polished to a satin finish.

#### MATERIAL:

- 1/4" Thick Heat-Tempered Side Glass.
- 1/4" or 3/8" Thick Heat-Tempered Front Glass.
- Posts - 1" Stainless Steel.
- Chamber Lock™ Sleek Shield Assemblies - Anodized Aluminum.
- Finish - Aluminum components are anodized to a satin finish.
- Stainless components polished.

#### TOP SHELF:

- NSGC Series: Shelf - 18 Ga., Type 430 Stainless Steel.
- GSGC Series: 3/8" Thick Heat-Tempered Top Glass.



**Customer Service Available To Assist You 1-800-645-3166 8:30 am - 8:00 pm E.S.T.**

For Orders & Customer Service:

Email: customer@advancetabco.com or Fax: 631-242-6900

For Smart Fabrication™ Quotes:

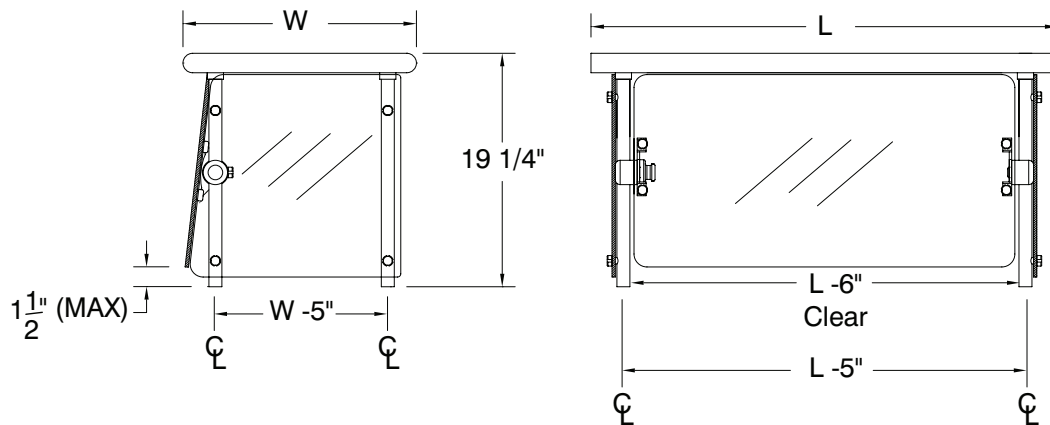
Email: smartfab@advancetabco.com or Fax: 631-586-2933

# DETAILS and SPECIFICATIONS

TOL ± .500"

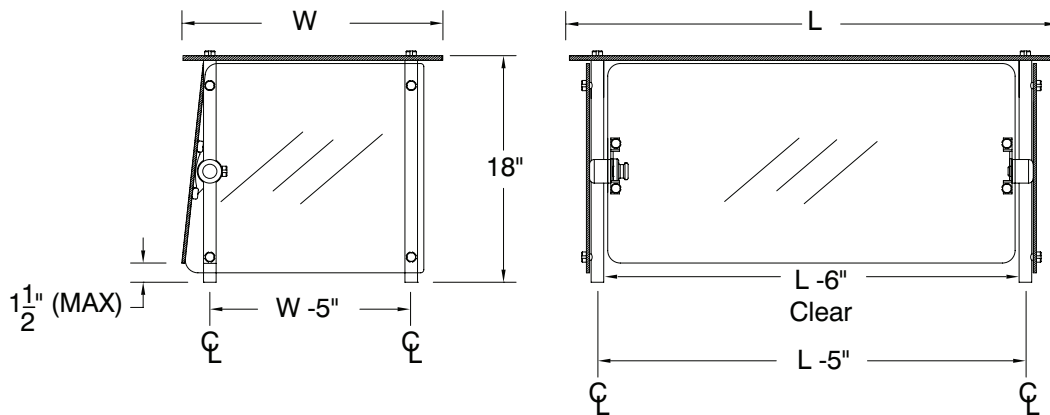
ALL DIMENSIONS ARE TYPICAL

## NSGC SERIES SINGLE TIER with Stainless Steel Shelf



1-1/2" Standard Glass Opening (Maximum 1-1/2") From Table To Bottom Of Glass.  
NSF Requires Side Glass to be 18" Wide Minimum

## GSGC SERIES SINGLE TIER with Glass Top



1-1/2" Standard Glass Opening (Maximum 1-1/2") From Table To Bottom Of Glass.  
Nsf Requires Side Glass To Be 18" Wide Minimum. Max. Load For Top Glass Is 100 Lbs. Evenly Distributed Weight

### Optional Accessories

(Compatible With All Advance Tabco Food Shields)



SG-1



SG-C



SG-S

**SG-1** Surface Mounting Brackets for use when access below countertop is not available. Fits 1" Posts, 2" Dia.

**SG-3** Modify Food Shield mounting for countertops exceeding 1 3/4" thickness.

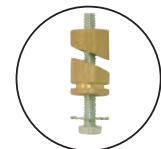
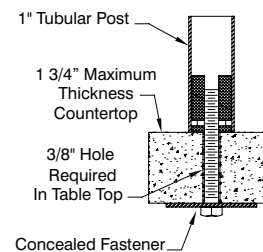
**SG-C** Upgrade Center Food Shield Leg to be cantilevered over installed equipment (Per Leg). Cannot replace End Posts/Brackets. Consult factory for special applications.

**SG-S** Sleek Shield™ horizontal swivel bracket. Used to connect food shields positioned at variable angles.

Custom color for aluminum (**SG-AN**) and stainless steel (**SG-PC**) components available. Consult factory.  
LED lights & mounting of customer-supplied heat lamps is available. Consult factory.

### Standard Concealed Mounting Hardware

Requires access below counter for installation.



**Brass Expander Included**

Brass Expander Table Mounting Hardware Included.  
For traditional undermount installation (1" tubing only)

