



TABLE MOUNTED

# STAINLESS STEEL ADJUSTABLE DOUBLE OVERSHELF WITH 6" OFFSET

Item #: \_\_\_\_\_ Qty #: \_\_\_\_\_  
 Model #: \_\_\_\_\_  
 Project #: \_\_\_\_\_



CDS shelving includes adjustable hex Leg Gusset Installation

L	18" Wide	Wt
36"	CDS-18-36	39 lbs.
48"	CDS-18-48	55 lbs.
60"	CDS-18-60	71 lbs.
72"	CDS-18-72	87 lbs.
84"	CDS-18-84	103 lbs.
96"	CDS-18-96	119 lbs.
108"	CDS-18-108	135 lbs.
120"	CDS-18-120	155 lbs.
132"	CDS-18-132	175 lbs.
144"	CDS-18-144	195 lbs.

**FEATURES:**

18" wide fully adjustable shelving.  
 Includes four 1 5/8" Stainless Steel Heavy Duty Posts.  
 Gussets feature Hex Leg Gusset Lock & Set Screw.

**CONSTRUCTION:**

All TIG welded.  
 Exposed surfaces polished to a satin finish.

**MATERIAL:**

All Shelves are 18 gauge type "430" stainless steel.  
 Holes are required in Table Top.

**MODIFICATIONS:**

Use **TA-47** for special mounting hardware to easily add to existing tables. (for special modifications, consult factory)  
 Use **TA-99** for 16 Gauge, 304 Stainless Steel Upgrade.

<p>ADVANCE TABCO SMART FABRICATION™ www.advancetabco.com</p>	<p><b>Customer Service Available To Assist You 1-800-645-3166 8:30 am - 8:00 pm E.S.T.</b>          Email Orders To: customer@advancetabco.com. For Smart Fabrication™ Quotes, Email To: smartfab@advancetabco.com or Fax To: 631-586-2933</p>			
	<p><b>NEW YORK</b> Fax: (631) 242-6900</p>	<p><b>GEORGIA</b> Fax: (770) 775-5625</p>	<p><b>TEXAS</b> Fax: (972) 932-4795</p>	<p><b>NEVADA</b> Fax: (775) 972-1578</p>

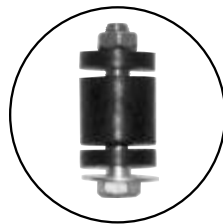
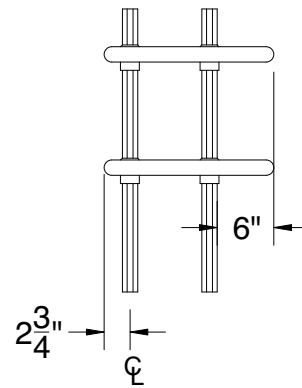
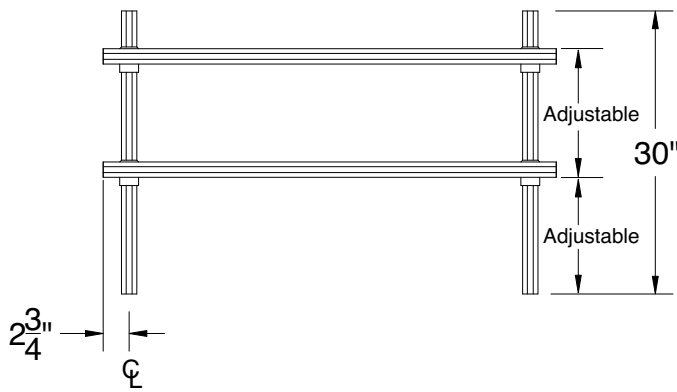
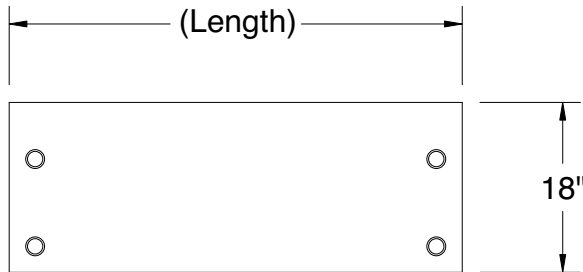
# DETAILS and SPECIFICATIONS

TOL  $\pm$  .500"

ALL DIMENSIONS ARE TYPICAL

## CDS SERIES: DOUBLE DECK TABLE MOUNTED WITH 6" OFFSET

Specify location. Front, Center or Rear. Rear 1 1/2" Turn-Up is Available. Specify if Required.



Rubber Expander  
Table Mounting  
Hardware Included

