



WOOD TOP BAKERS TABLES with Coved Risers



TBS-TBG Series
with Open Base

**FOR MAPLETEX TABLES WITH
COVED RISERS, PLEASE
CONSULT FACTORY**

Item #: _____ Qty #: _____
 Model #: _____
 Project #: _____

Spice Blns and Shelf are Available



BS-BG Series
with Undershaft

TBS-TBG Series Open Base

Approx. Shipping Weight
is 30 lbs. per lineal foot

Stainless Steel Base Galvanized Base

Length	30" Wide	36" Wide	30" Wide	36" Wide
48"	TBS-304	TBS-364	TBG-304	TBG-364
60"	TBS-305	TBS-365	TBG-305	TBG-365
72"	TBS-306	TBS-366	TBG-306	TBG-366
84"	TBS-307	TBS-367	TBG-307	TBG-367
96"	TBS-308	TBS-368	TBG-308	TBG-368



BST-BGT Series
with 3 Tier Drawers

BS-BG Series Undershaft

Approx. Shipping Weight
is 35 lbs. per lineal foot

Stainless Steel Base Galvanized Base

Length	30" Wide	36" Wide	30" Wide	36" Wide
48"	BS-304	BS-364	BG-304	BG-364
60"	BS-305	BS-365	BG-305	BG-365
72"	BS-306	BS-366	BG-306	BG-366
84"	BS-307	BS-367	BG-307	BG-367
96"	BS-308	BS-368	BG-308	BG-368



**FEATURING BOLT-ON
STAINLESS STEEL LEG**

BST-BGT Series 3 Tier Drawer

Approx. Shipping Weight
is 40 lbs. per lineal foot

Stainless Steel Base Galvanized Base

Length	30" Wide	36" Wide	30" Wide	36" Wide
48"	BST-304LorR	BST-364LorR	BGT-304LorR	BGT-364LorR
60"	BST-305LorR	BST-365LorR	BGT-305LorR	BGT-365LorR
72"	BST-306LorR	BST-366LorR	BGT-306LorR	BGT-366LorR
84"	BST-307LorR	BST-367LorR	BGT-307LorR	BGT-367LorR
96"	BST-308LorR	BST-368LorR	BGT-308LorR	BGT-368LorR

FEATURES & CONSTRUCTION:

Laminated 1-3/4" thick Hard Wood Top with 4" coved corner risers.

Gussets welded to support channels.

BST or BGT Series

Three tier drawer unit features 20" x 20" x 5" Deep Drawn insets mounted on bearing slides. Legs bolt on to table base.

BS or BG Series

Aluminum die cast "leg-to-shelf" clamp secures shelf to leg eliminating unsightly nuts and bolts. Undershaft is adjustable.

TBS or TBG Series

Front to back Stretchers are welded to legs. Left to right Stretcher bolted to legs and requires assembly.



MATERIAL:

TOP: Laminated 1-3/4" thick hard maple with 4" coved corner risers and reinforced with steel rods.

SHELF: **BS Series:** 18 gauge stainless steel.
BG Series: Heavy gauge galvanized steel.

TIER DRAWER: 18 gauge stainless steel body, drawer fronts and handles.

LEGS: **BS - TBS - BST Series:** 1 5/8" diameter tubular stainless steel gussets; bolt-on legs are stainless steel and include 1 1/2" adjustable hex foot.

BG - TBG - BGT Series: 1 5/8" diameter heavy gauge tubular galvanized steel with galvanized steel gussets and 1" adjustable plastic bullet feet.



Customer Service Available To Assist You 1-800-645-3166 8:30 am - 8:00 pm E.S.T.

For Orders & Customer Service:

Email: customer@advancetabco.com or Fax: 631-242-6900

For Smart Fabrication™ Quotes:

Email: smartfab@advancetabco.com or Fax: 631-586-2933

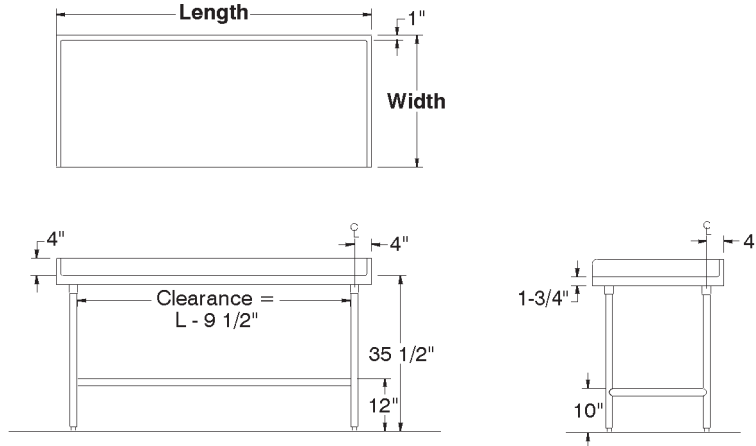
DETAILS and SPECIFICATIONS

TOL ± .500"

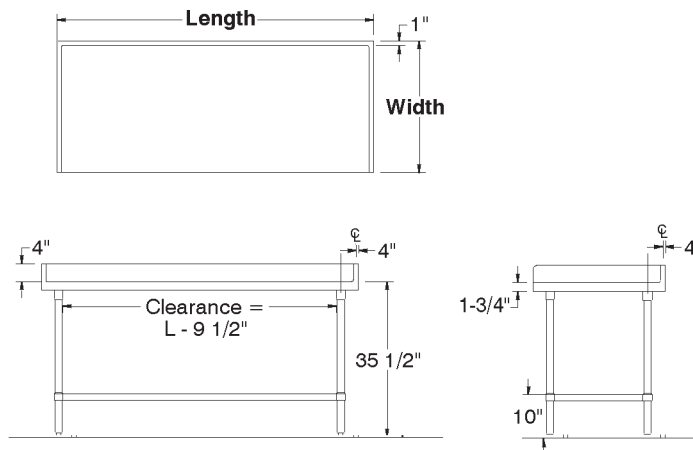
Units 8 ft. & larger are furnished with six (6) legs.

ALL DIMENSIONS ARE TYPICAL

TBS-TBG Series Open Base



BS-BG Series Undershelf



BST-BGT Series 3 Tier Drawer

