



STAINLESS STEEL

SINGLE DOOR MOP SINK CABINET



Item #:	_____	Qty #:	_____
Model #:	_____		
Project #:	_____		



Cabinet Includes Floor Mop Sink

FEATURES:

- 16" x 20" x 12" Sink Bowl with Drain
- Slotted Side Panels for Ventilation
- Single Left-Hinged Door
- Fixed Stainless Steel Utility Shelf
- 2 Mop Holders (1 on each side)

CONSTRUCTION:

All TIG welded.
Welded areas blended to match adjacent surfaces and to a satin finish.

MATERIAL:

- 16 gauge type "304" Series Sink Bowl
- 18 gauge type "304" Series Sink Bowl Apron
- 9-OPC-84** - 18 gauge type "430" Series Stainless Steel Cabinet
- 9-OPC-84-300** - 18 gauge type "300" Series Stainless Steel Cabinet

OPTIONS:

- SU-27** Door Lock
- TA-36D** Repair Kit For Door Hinge (Per Hinge)
- K-94-SHELF** Fixed Mid-shelf for 84" High Cabinets
- K-94-BACK** Add 430 Stainless Steel Back Panel
- K-94-BACK-300** Add 300 Stainless Steel Back Panel
- K-472** Add 8" O.C. Faucet Holes for Service Faucet (Must provide faucet hole height location)
- K-240** Service Faucet
- CAB-R** Modify Unit to a Right-Hand Door Swing
Standard Left-Hand Door Swing (If required, specify optional right-hand door swing when ordered)



Model #	Cabinet Material
9-OPC-84	18 Ga., 430 S/S
9-OPC-84-300	18 Ga., 300 S/S



Customer Service Available To Assist You **1-800-645-3166** 8:30 am - 7:00 pm E.S.T.

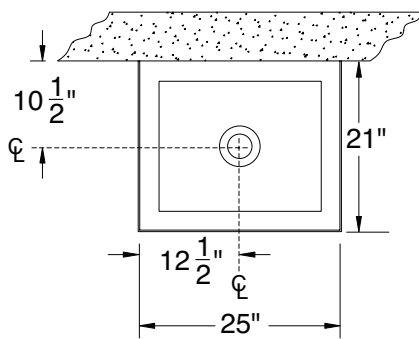
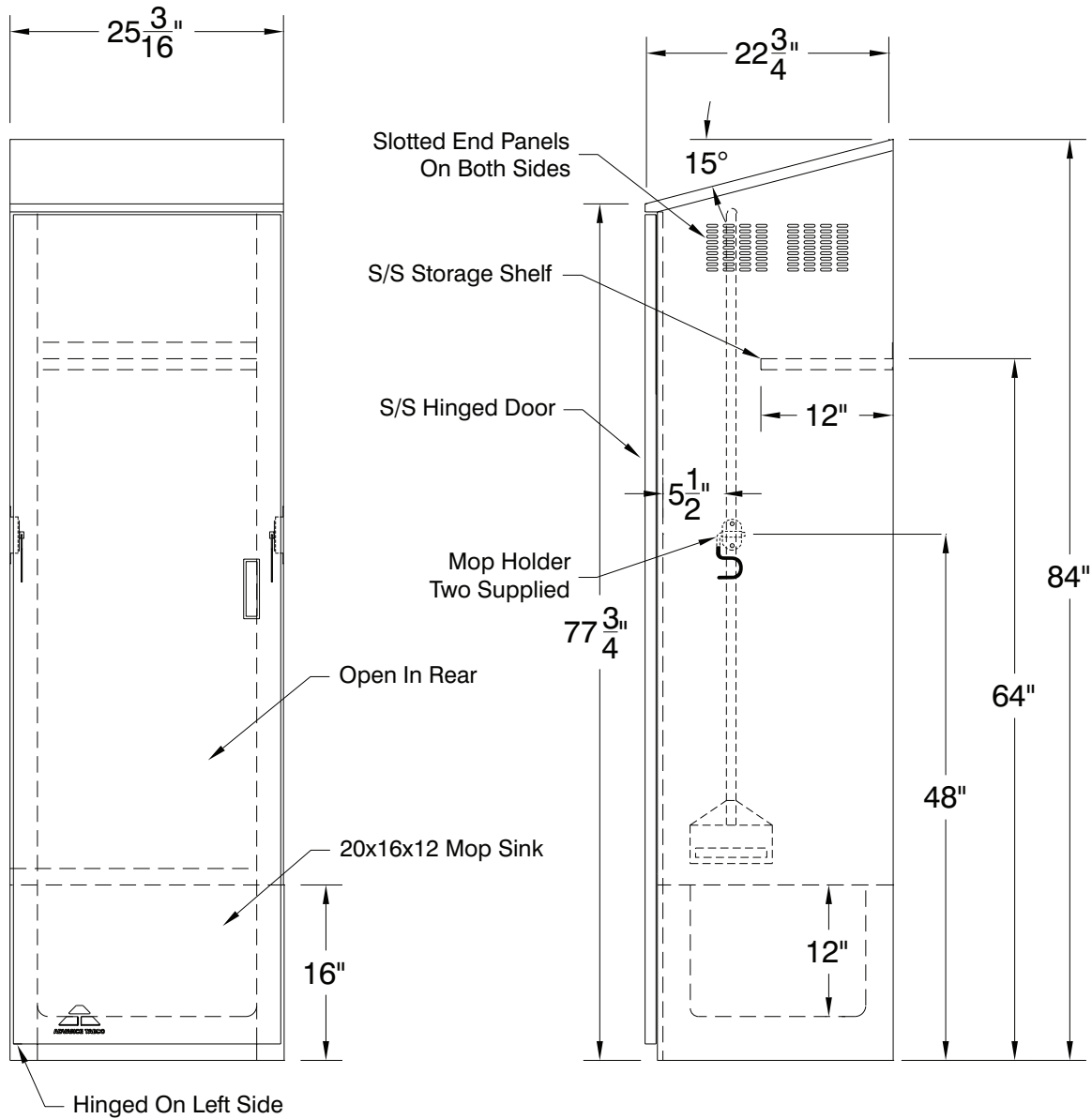
For Orders & Customer Service:
Email: customer@advancetabco.com or Fax: 631-242-6900

For Smart Fabrication™ Quotes:
Email: smartfab@advancetabco.com or Fax: 631-586-2933

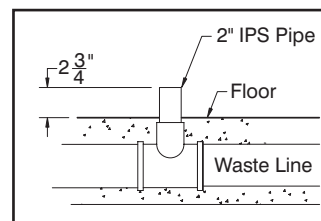
DIMENSIONS and SPECIFICATIONS

ALL DIMENSIONS ARE TYPICAL

TOL ± .500"



Mop Sink Detail



Drain Detail

250 lbs.

