



STAINLESS STEEL

PEDESTAL BASES & SKIRTS

Item #:	Qty #:
Model #:	
Project #:	

PEDESTAL BASES

FEATURES:

For use with any Advance Tabco handsink.
Excludes sinks with existing bases or skirts.
Sinks not included.

7-PS-33 Series - includes foot pedal valve w/ built-in mixing valve.

7-PS-29 - To be used with any pedestal base sink or stand-alone pedestal base.

CONSTRUCTION:

Die form sides, front, base shelf bolt together, then bolt to hand sink.

7-PS-33 Series - Foot pedal valve bolts to base shelf.

7-PS-29 - Trash receptacle includes hinged door.

MATERIAL:

20 gauge, 300 series stainless steel

OPTIONAL:



7-PS-38 - Plastic Replacement Handles



Basic



w/ Foot Pedal Valve



Add Trash Receptacle

	Model #	O.A. Size (W x L x H)	Description	Approx. Weight	Approx. Cu. Ft.
Basic	7-PS-37	15" x 17" x 34"	For 10" x 14" Bowls w/ Splash Mt. Faucets	35 lbs.	8
	7-PS-37B	17-1/2" x 17" x 34"	For 10" x 14" Bowls w/ Deck Mt. Faucets	35 lbs.	8
	7-PS-37C	21-1/2" x 24-1/2" x 34"	For 16" x 20" Bowls w/ Splash Mt. Faucets	42 lbs.	13
w/ Foot Pedal Valve	7-PS-33	15" x 17" x 34"	For 10" x 14" Bowls w/ Splash Mt. Faucets	35 lbs.	8
	7-PS-33B	17-1/2" x 17" x 34"	For 10" x 14" Bowls w/ Deck Mt. Faucets	35 lbs.	8
	7-PS-33C	21-1/2" x 24-1/2" x 34"	For 16" x 20" Bowls w/ Splash Mt. Faucets	42 lbs.	13

Add Trash Receptacle

7-PS-29

Modification Available to 7-PS-37 Series or Any Stand-Along Pedestal Base Sink
Replace the removable door panel with trash flap panel and hinged door.

SKIRT ASSEMBLY FOR ADDITIONAL SUPPORT

FEATURES:

For use with any Advance Tabco handsinks with 10"x14" or 9"x9" bowls.

Excludes sinks with existing bases or skirts.

Sinks not included.

CONSTRUCTION:

Die formed skirt bolts to underside of handsink (hardware included).

MATERIAL:

20 gauge stainless steel



Model #	O.A. Size (W x L x H)	Description	Approx. Weight	Approx. Cu. Ft.
7-PS-31	15" x 17-1/2" x 8"	For 10" x 14" Bowls w/ Splash Mt. Faucets	10 lbs.	2
7-PS-31A	16" x 11-3/4" x 8-1/2"	For 9" x 9" Bowls ONLY	12 lbs.	2
7-PS-31B	17-1/2" x 17" x 8"	For 10" x 14" Bowls w/ Deck Mt. Faucets	14 lbs.	2



Customer Service Available To Assist You **1-800-645-3166** 8:30 am - 7:00 pm E.S.T.

For Orders & Customer Service:

Email: customer@advancetabco.com or Fax: 631-242-6900

For Smart Fabrication™ Quotes:

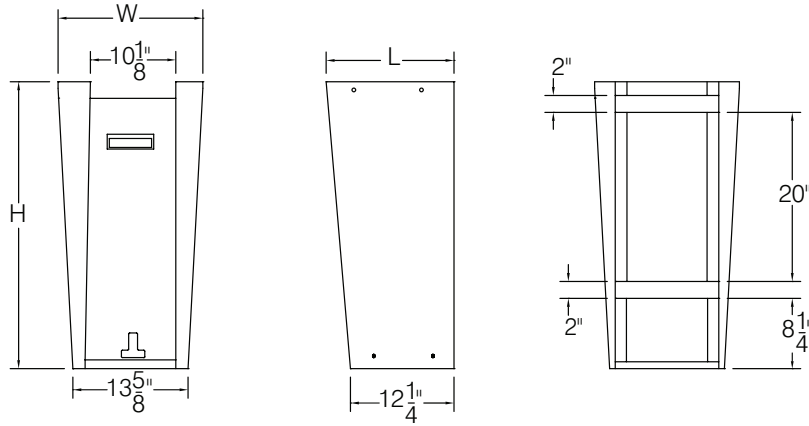
Email: smartfab@advancetabco.com or Fax: 631-586-2933

DIMENSIONS and SPECIFICATIONS

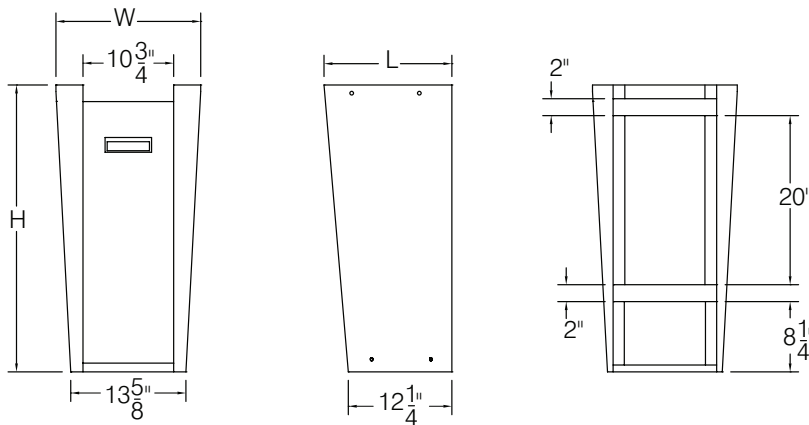
TOL ± .500"

ALL DIMENSIONS ARE TYPICAL

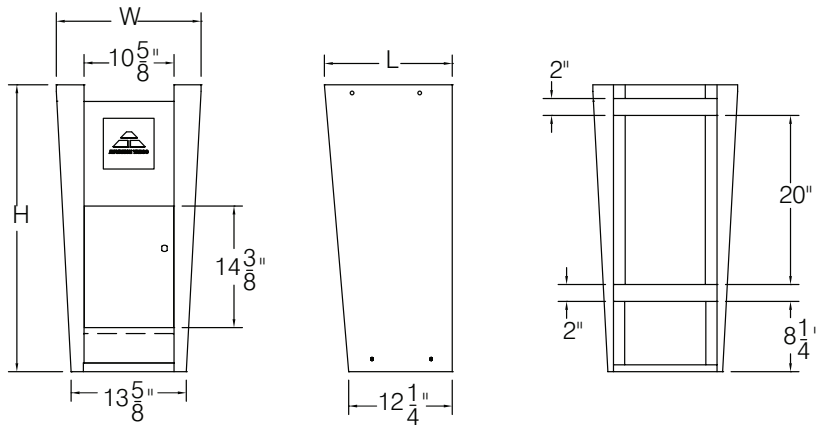
7-PS-33 Series



7-PS-37 Series



7-PS-29



Skirt Assembly (7-PS-31 Series)

