



STAINLESS STEEL

SUPERMARKET SINKS

MEAT & PLATTER SINK



18-K5-56

Item #: _____ Qty #: _____
 Model #: _____
 Project #: _____

FEATURES:

Tile edge for ease of installation.
 Sink bowls are fabricated to meet NSF specifications with a 3/4" radius.
 Elongated compartments designed for use with standard meat platters.
 Placement of the welded leg assembly insures stability and furnishes direct support of the column load requirements for the entire sink unit.
18-K5-56: feature One 24" x 30" Bowl and Two 15" x 32" Bowls.

CONSTRUCTION:

All TIG welded.
 Welded areas blended to match adjacent surfaces and to a satin finish.
 Gussets welded to sink bottom.

MECHANICAL:

Supply is 1/2" IPS hot & cold.
 Faucet holes on 8" centers.
Faucets are not included (see accessories).
 Waste drains are 1 1/2" IPS basket type and are included.

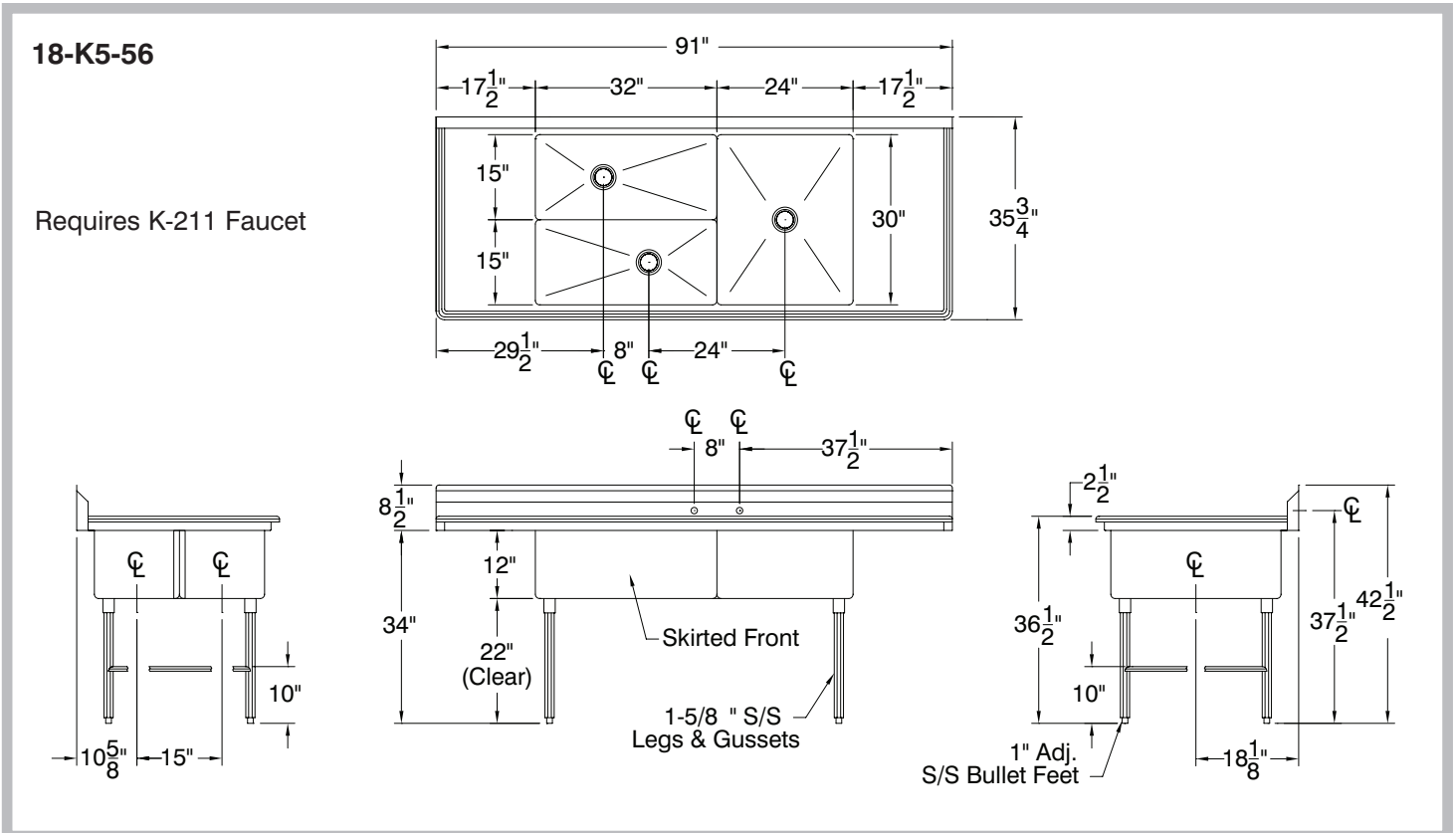
MATERIAL:

Entire unit is 16 gauge type "304" series stainless steel.
 LEGS are 1 5/8" diameter heavy gauge tubular stainless steel with stainless steel gussets and 1" adjustable stainless steel bullet feet.

DIMENSIONS and SPECIFICATIONS

TOL ± .500"

ALL DIMENSIONS ARE TYPICAL



Customer Service Available To Assist You **1-800-645-3166** 8:30 am - 8:00 pm E.S.T.

For Orders & Customer Service:
 Email: customer@advancetabco.com or Fax: 631-242-6900

For Smart Fabrication™ Quotes:
 Email: smartfab@advancetabco.com or Fax: 631-586-2933