



ARF-72 3 DOOR REACH-IN FREEZER

INCLUDE 3 YEAR PARTS + LABOR / 5 YEAR COMPRESSOR WARRANTY

Dimensions

| | |
|------------------------------|--------------------------|
| Exterior Dimensions (WxDxH) | 77.95" x 32.99" x 83.75" |
| Interior Dimensions (WxDxH) | |
| Capacity (cu. ft.) | 72 cu. ft. |
| Weight | 562 lbs |
| Packaging Dimensions (WxDxH) | |

Cooling

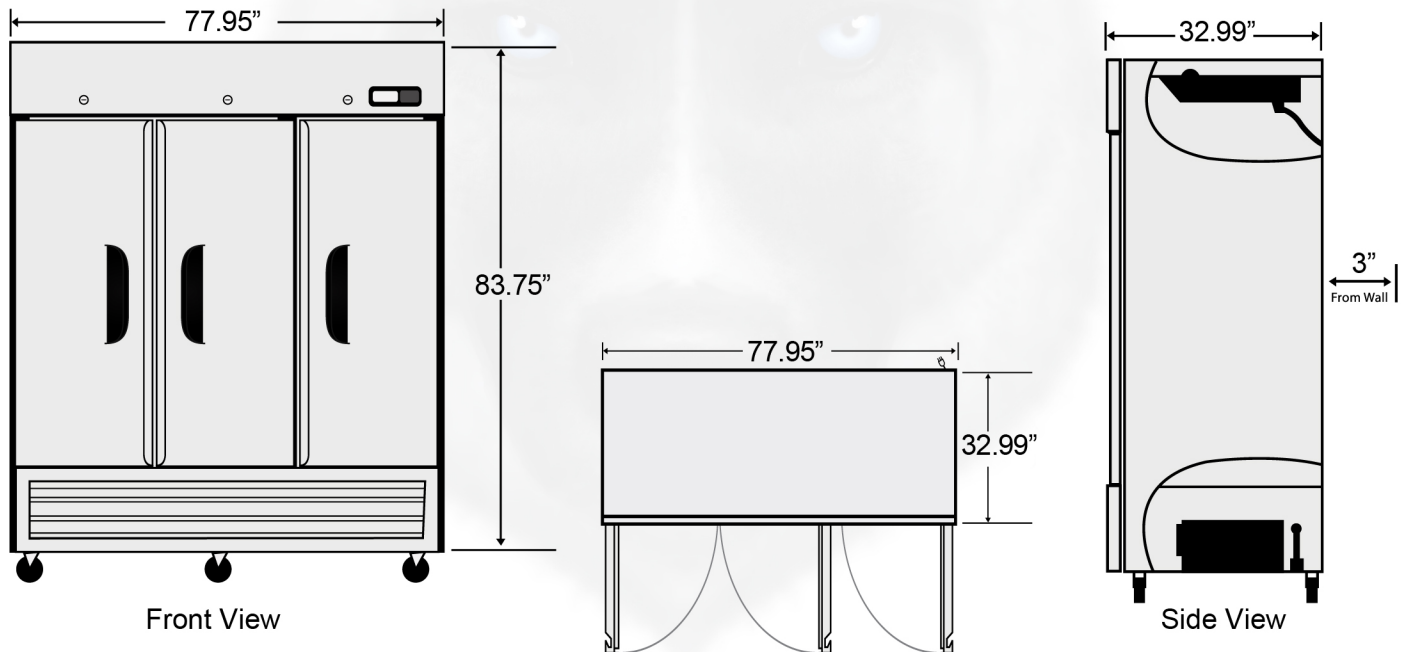
| | |
|------------------------------------|------------|
| Temperature Range | -4° - 0° F |
| Refrigerant | R290 |
| Maximum Ambient Temperature Rating | |
| Defrosting | Automatic |
| Temperature Display | Yes |
| Temperature Controller | Digital |
| H/P | 1 |

Construction

| | |
|---------------------|----|
| Exterior Material | |
| Interior Material | |
| Insulation Material | |
| Shelf Material | |
| # Shelves | 12 |
| Shelf Load Capacity | |

Electrical

| | |
|---------|-----|
| Voltage | 115 |
| Amps | |
| Hz | |
| Phase | |



NEMA 14-20P

