



V80 Food Mixer - 80 Quart Mixer

Project _____

Item Number _____

Quantity _____



The VARIMIXER V80 is a planetary mixer with a variable speed drive system and powerful 4 HP motor.



ETL listed
Conforms to UL Std 763
Certified to CSA Std C22.2 No.195



Standard Features

- Powerful 4 hp motor for heavy duty use
- Variable Speed Drive with wide agitator speed range from 50 rpm to 250 rpm
- Attachment hub
- Top cover, planetary cover and bayonet shaft in stainless steel. Durable powder coated finish used on outside surfaces not constructed of stainless steel. Rubber feet.
- Stainless Steel Bowl Screen
- Front mounted controls with 90-minute timer with emergency stop
- No bowl adaptors required for the down-size bowls
- High torque transmission. Grease lubricated, anti friction ball bearings.
- Permanently lubricated planetary head
- Locking pin on tools instead of shaft.
- Safety cut-switch automatically turns the mixer off if bowl screen is opened or bowl lowered
- Overload protection and no voltage release
- 6 foot cord
- ETL and NSF listed

Optional Features

- Mixer in Stainless Steel
- Marine version USPHS
- Power Bowl Lift
- Prison package
- Mark IV Control System

Accessories:

- 80 quart bowl - stainless steel
- Dough hook - stainless steel and double pin
- Wire whip - stainless steel
- Flat beater - Aluminum
- 42 quart bowl and accessories
- Bowl scraper in 80 and 42 quart sizes
- Stainless steel wing whip
- Stainless steel flat beater
- Reinforced whip
- Stainless steel splash guard for 80 Qt bowl
- Bowl guard ingredient chute
- Bowl truck with double wheel

Optional Attachment:

- Meat grinder
- Food slicer

Warranty:

Two year parts and labor limited warranty

Approved By: _____

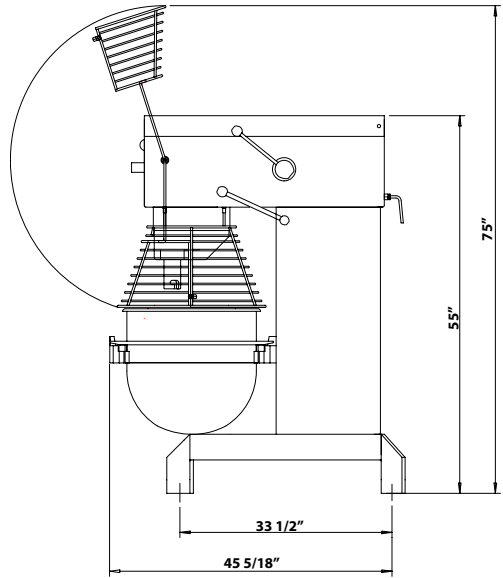
Date _____

 **Varimixer**
www.varimixerusa.com

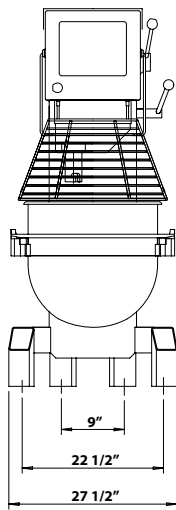
14240 South Lakes Drive
Charlotte, NC 28273
Phone: 800-222-1138
Fax: 704-583-1703
mixer@varimixerusa.com



V80 Food Mixer - 80 Quart Mixer



V80



Bowl scraper



Bowl truck



**Food slicer
312GS**



**Meat grinder
302**

Specifications

Model No.	Capacity Large bowl 80 qt. Small bowl 42 qt	Overall size			Net. weight
		Height H	Width W	Length L	
V80		58" (147.32 cm)	27 1/2" (69.85 cm)	44 1/2" (113.03 cm)	750 lbs.(340 kg)

Shipping information

Class	CU. FT.	Dimensions			Weight
		Height	Width	Length	
85	65	70" (177.80 cm)	33" (83.82 cm)	49" (124.4cm)	890 lbs. (403.70 kg)

Cord & Plug	Attached 6 foot flexible 3-wire cord		
Electrical Data for Motor	Motor	Volts	Amp
Standard	4 HP	208/60/3	12.4
Optional	4 HP	480/60/3	6.5
Optional (contact us)	400V / 50Hz/ 3Ph lead time 6 to 8 weeks		
On the nominal motor voltage, + or - 10% tolerance is allowed.			
Mixing Speed			
Agitator Speed	Min	Max	
	50	250	
Mixer in Stainless Steel Marine version USPHS Prison package MK IV Control Panel: Programmable electronic panel			

Capacity Chart

Mashed Potatoes	Whip or Beater	58 lbs.
Whipped Cream	Whip	16 Qts.
Muffins	Beater	90 lbs.
Layer Cake	Beater	92 lbs.
Pancake Batter	Whip or Beater	35 Qts
Cookie Dough	Beater or Hook	68 lbs.
Donuts, Yeast	Hook	80 lbs.
Donuts, Cake	Beater	70 lbs.
Bread Dough (65% AR)	Hook	105 lbs.
Pizza Dough (50% AR).....	Hook	90 lbs.

%AR= $\frac{\text{weight of water}}{\text{weight of flour}}$

Batch size and/or speed reduction is required if any of the following conditions exist.

1. High Gluten Flour
2. AR % under 40%
3. Water Temperature under 65 Degrees F.

Varimixer
www.varimixerusa.com

14240 South Lakes Drive
Charlotte, NC 28273
Phone: 800-222-1138
Fax: 704-583-1703
mixer@varimixerusa.com