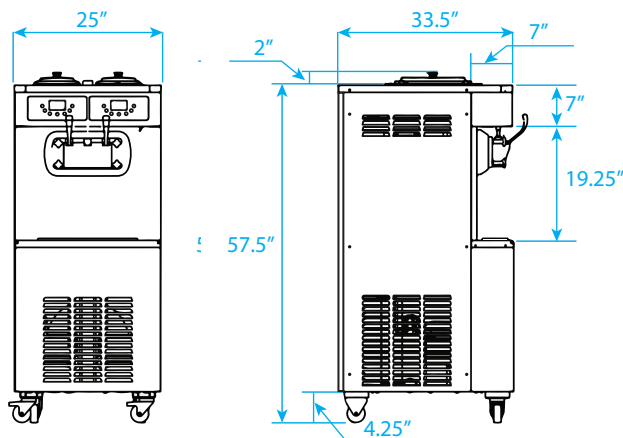


S520F Soft Serve Twin Twist Freezer



www.pasmouusa.com
1-844-527-2766



Technical Specs:

GENERAL INFO

MODEL NUMBER	S520F
TYPE	standing
PRODUCTION CAPACITY	50 L / H
NUMBER OF FLAVORS	3
NUMBER OF HOPPERS	2
HOPPER CAPACITY	12.5 L (3.30 gal)
SPECIFICATIONS	33.5" x 25" x 59.75"
CARTON SIZE	35" x 30" x 64"
NET WEIGHT	370 Lbs
GROSS WEIGHT	421 Lbs
CYLINDER CAPACITY	2 L (.52 gal)
BEATER TYPE	stainless steel
HOPPER MIXER	standard
POWER	3.2 Kw
SELF-CHECK	yes
LOW MIXTURE SENSOR	yes
FREQUENCY CONVERSION	yes

REFRIGERATION SYSTEM

NUMBER OF COMPRESSORS	2
COMPRESSOR BRAND	Aspera
COMPRESSOR CAPACITY	3753 Btu / hr x 2
COMPRESSOR GAS	R404 A
GAS QUANTITY	500 g
REFRIGERATION TYPE	air cool / water cool

TRANSMISSION

NUMBER OF MOTORS	2
MOTOR CAPACITY	750 W x 2

STAND BY SYSTEM

NUMBER OF COMPRESSORS	2
COMPRESSOR GAS	R134 A
GAS QUANTITY	280 g
COMPRESSOR CAPACITY	614 Btu / hr x 2

Features:

- Double control system: 2+1 twist flavors
- Offers all of the popular soft serve variations from low to non-fat ice creams, custards, yogurt, Italian ices and sorbet
- Serve two separate soft serve flavors, or an equal combination of both in a twist
- Redundant components use side while other side is off
- Self returning handles

SILENT

- Mute function, suitable for all types of environments

CONTINUOUS DISCHARGING ABILITY

- Ensures continuous discharge even during peak hours

STAND-BY FUNCTION

- Stand-by option for both hopper and cylinder
- Ensures that product temps are maintained for safety

IMPORTED CORE ACCESSORIES

- Aspera compressors and Danfoss expansion valves
- Ensures the service life of the machines

HOPPER AGITATOR

- Keeps liquid evenly cooled and mixed, resulting in longer lasting and better tasting product

INTEGRATED CYLINDER

- Cornered ends prevent bacterial growth
- Easy to wash



Product List:

SERIAL NUMBER	COOLING TYPE	VOLTAGES
S520FA1	air cool	220 v / 50 hz 1P
S520FAP1	air cool	220 v / 50 hz 1P
S520FWP1	water cool	220 v / 50 hz 1P
S520FA2	air cool	210 v / 60 hz 1P
S230FAP2	air cool	220 v / 60 hz 1P
S520FW2	water cool	220 v / 60 hz 1P
S230FWP2	water cool	220 v / 60 hz 1P
S230FA3	air cool	380 v / 50 hz 3P

distributed by: