

SOMERSET®

Tel: 978.667.3355

800.772.4404

Fax: 978.671.9466

Email: somerset@smrset.com

www.smrset.com



SMS-60 MEAT SHREDDER *Plus*

P1-Pulled



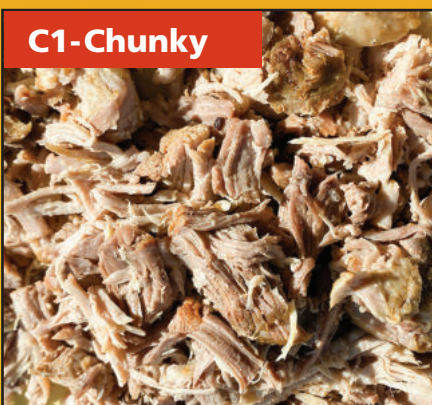
From pulled, chunky, to shredded, this machine does it all

- *Increase Production*
- *Provides Product Consistency*
- *Saves Ingredients & Labor*

S1-Shredded



C1-Chunky



All proteins shred or pull differently depending on preparation of product



Enhance the Taste with Fresh Shredded Ingredients

SOMERSET

SMS-60 MEAT SHREDDER *Plus*

THE IDEAL SHREDDER THAT SHREDS MEATS, VEGGIES, AND CHEESES IN SECONDS!



No more messy, time-consuming shredding by hand

BBQ • Tex Mex • Sandwich Shops • Pizza Toppings • Restaurants

CHOOSE FROM THREE PLATES

P1-Pulled

S1-Shredded

C1-Chunky



All proteins shred or pull differently depending on preparation of product

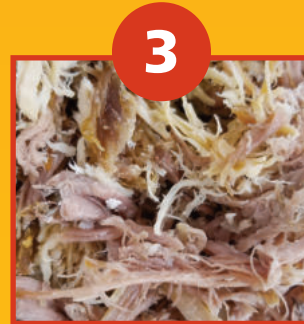
The compact SMS-60 SHREDDER is simple to use



1
Place the protein into chamber



2
Rotate handle



3
Finished product drops into bucket!

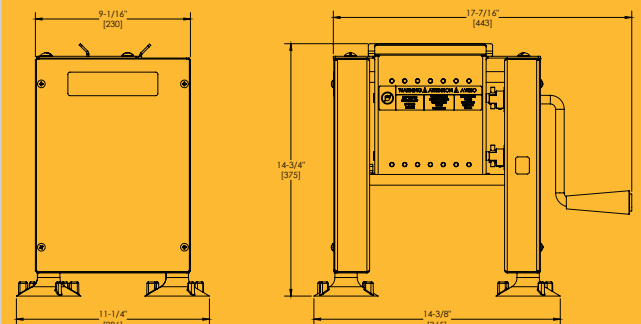
HIGHLIGHTS

- Shred product in minutes
- Safe and easy to use
- All stainless steel
- Sanitary, easy to clean
- Avoids product dryness
- Avoid messy process
- Less waste
- Always a consistent product

IDEAL FOR

- Tacos
- Burritos
- Enchiladas
- BBQ pulled meats
- Meat Sandwiches
- Salads
- Feta cheese
- Pizza toppings

(Specifications subject to change without notice)



PATENT PENDING