

SOMERSET®

Tel: 978.667.3355

800.772.4404

Fax: 978.671.9466

Email: somerset@smrset.com

www.smrset.com



CDR-2100

DOUGH ROLLER

IDEAL FOR PIZZA AS WELL AS:

- Pita Bread
- Pie Crusts
- Roti
- Flour Tortillas
- Cookies
- Sheeting
- Sweet Doughs
- Calzones
- Cinnamon Rolls
- Pierogi
- Rolled In Dough

HIGHLIGHTS

- Sheets 500-600pcs.
per hour up to 20" (51cm)
- Ships standard with
synthetic, non-stick rollers
- Ergonomic design makes it
easy and simple to operate
- Sheets dough to a uniform
thickness in seconds
- All stainless steel
construction offers safety,
sanitation, speed, simplicity,
durability, and low cost



**The veteran of side operated compact
dough rollers. Sheets up to 20" (51cm)
in diameter in seconds.**

CDR-2100 SYNTHETIC ROLLERS

CDR-2100M METALLIC ROLLERS

FEATURES

- The most advanced **SIDE OPERATED** compact sheeter
- Spring loaded scrapers readily removable for easy cleaning
- Compact design, ideal for use in limited space
- Safety sensors for automatic shutoff
- Ergonomic design for easy operation
- Convenient side operation
- Large hopper accepts large pieces of dough
- Maintenance free drive mechanism
- Drive mechanism isolated from roller area
- Safe, simple, easy to operate, easy to clean
- Sanitary, heavy duty, all stainless steel welded construction
- Simple handle adjustments for exact uniform dough thickness
- Thickness stops available

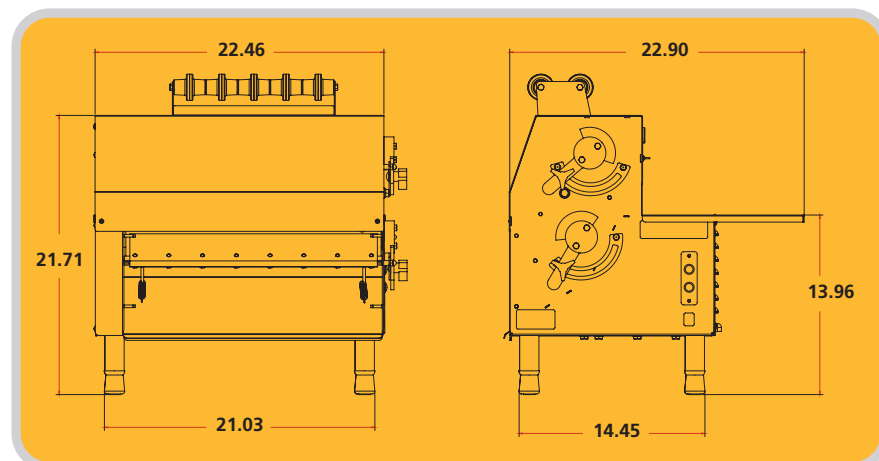


INDUSTRY USES:

- Pizzerias
- Restaurants
- Institutions
- Schools
- Mexican establishments
- Other ethnic food production
- Indian Establishments
- Cafes
- Bakeries

SPECIFICATIONS PATENT PENDING

(Specifications subject to change without notice)



Rollers: 3.5" dia. by 20" length
(8.89 cm dia. by 50.80 cm length)

Scrapers: Synthetic, Spring Loaded, Removable

Bearings: Sealed Ball Bearings, Permanently Lubricated

Gear Motor: Heavy Duty 3/4 HP, Maintenance Free, Single Phase, 115V/60Hz or 220V/50Hz

Finishing: All Stainless Steel

Legs: 4" Adjustable, Stainless Steel

Shipping Weight: 210 lbs (95kgr)



APPROVED