

Project: _____ Location: _____ Item #: _____ Quantity: _____

Standard Features

- Kettle System-Seamless deep-drawn 304 kettle liner with an integrally formed radius lip, 304 stainless draw off tube and welds, 304 stainless 2" compression draw-off
- 304 stainless kettle jacket
- Kettle protection system— thermostat temperature control, 150°F - 260°F, pressure relief valve, air eliminator valve, pressure gauge, jacket-water fill, automatic low water cut off and indicator light, safety pilot control
- Full body insulation between kettle jacket and outer casing
- Electric ignition, 120V standard
- 304 stainless outer casing seam welded to radius lip
- 304 stainless, seam welded control console
- 304 stainless lift off cover on 20-30 gallon
- 304 stainless, one piece, domed cover, actuator-assisted on 40-125 gallon
- Perforated disc strainer, 1/4" holes
- Adjustable bullet feet

Optional Features

- Single or dual faucet with bracket & 12" or 18" swing nozzle*
- 60" flexible spray hose assembly (vinyl or stainless) for dual or single faucet*
- Faucet bracket (ALFBST)
- Riser for table mounted fill faucet (ALRISER)
- Automatic water filling meter (ALAC-WS)
- Mixer/agitator, two speed (Call for pricing)
- Correctional Package*
- Adjustable flanged feet (ALFF-200)
- 316 Liner (AL316LNR)

* Call AccuTemp for additional information

Electrical Options

120V, 208V, 240V

Short Spec

AccuTemp Edges Series gas powered, 2/3 jacketed, non-tilting floor kettle, model ALLGB-XX (20-125 gallon capacity). Seamless deep-drawn 304 kettle liner with integrally formed radius lip and 304 stainless steel kettle jacket. 2" compression draw-off valve that includes a perforated disc strainer (1/4" holes), pressure relief valve, air eliminator valve, pressure gauge, jacket-water fill valve, automatic low water cut off and indicator light. 304 stainless domed cover with spring assisted (40-125 gallon units). Seam welded control console with thermostat temperature control, 150°F to 260°F (65°C to 126°C). Adjustable bullet feet.

Other Approvals

GAS-FIRED
UL
LISTED



Accessories

- Care Kit (ALKCK-L)
- Electric timer with buzzer (ALAT)
- Gas quick disconnect 1/2"*
- Flexible gas hose 3/4" x 60" (ALTQDH)
- Draw off drain hose (ALDIH)
- Disc strainer; solid or perforated, 1/8" or 1/4"*
- Measuring strip (ALMS)
- Lift-off or two piece hinged*
- One piece actuator-assisted lid, 20-60 gal. (ALACT-M)
- Single basket 20-40 gal. (ALSBI-M)
- Tri-basket insert (ALTBI-S)
- Nylon bag insert with spreader ring (ALNBI)
- 3" draw off valve optional

* Call AccuTemp for additional information

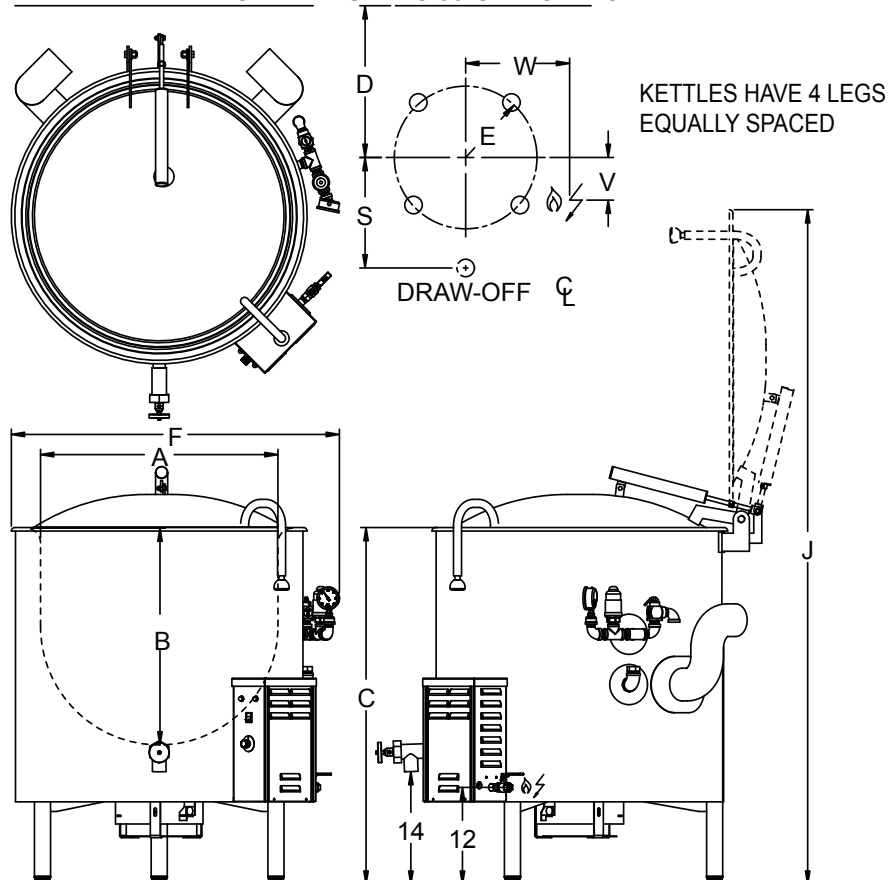


Model ALLGB-40 shown with included tangent draw off valve and lid

| Gal. | BTU RATING | | Natural | Propane | Electrical |
|------|------------|---------|--|---|--|
| | Natural | Propane | | | |
| 20 | 63,200 | 59,600 | Supply Piping: 1/2" IPS | Supply Piping: 1/2" IPS | 120 volt (standard) 208/240 volt (optional) 50/60 Hz 1 Phase 1 Amp |
| 25 | 66,700 | 67,800 | | | |
| 30 | 66,700 | 67,800 | | | |
| 40 | 79,900 | 83,100 | Supply Piping: 3/4" IPS | Supply Piping: 3/4" IPS | |
| 50 | 106,800 | 108,500 | | | |
| 60 | 106,800 | 108,500 | Supply Pressure: 5-7" W.C. (nominal) | Supply Pressure: 12-14" W.C. (nominal) | |
| 80 | 131,400 | 131,100 | | | |
| 100 | 154,800 | 149,200 | | | |
| 125 | 154,800 | 149,200 | Outlet Pressure Factory Setting: 3.5" W.C. | Outlet Pressure Factory Setting: 10.0" W.C. | |

| MODEL ALLGB DIMENSIONS | | | | | | | | | | |
|------------------------|------|------|------|------|------|------|------|------|------|------|
| Gal. | A | B | C | D | E | F | J | S | V | W |
| 20 | 22.0 | 16.0 | 32.0 | 24.1 | 12.9 | 34.4 | 64.0 | 17.2 | 9.1 | 16.2 |
| 25 | 23.0 | 17.8 | 34.4 | 24.6 | 13.4 | 35.4 | 67.4 | 17.7 | 9.4 | 16.5 |
| 30 | 23.0 | 20.3 | 37.1 | 24.6 | 13.4 | 35.4 | 70.1 | 17.7 | 9.4 | 16.5 |
| 40 | 25.5 | 22.3 | 42.0 | 25.8 | 14.6 | 37.1 | 77.5 | 18.9 | 10.3 | 17.4 |
| 50 | 29.5 | 21.8 | 38.4 | 27.8 | 16.6 | 41.1 | 77.9 | 20.9 | 11.8 | 18.8 |
| 60 | 29.5 | 25.0 | 41.7 | 27.8 | 16.6 | 41.1 | 81.2 | 20.9 | 11.8 | 18.8 |
| 80 | 32.5 | 27.6 | 45.1 | 29.3 | 18.1 | 44.1 | 87.6 | 22.4 | 12.8 | 19.9 |
| 100 | 39.0 | 25.9 | 43.4 | 32.6 | 21.4 | 50.6 | 92.4 | 25.7 | 15.1 | 22.2 |
| 125 | 44.0 | 26.4 | 43.3 | 35.1 | 23.9 | 55.6 | 97.3 | 28.2 | 16.9 | 24.0 |

DRAWING REPRESENTS 60 GALLON MODEL



MM6262-1906