



Project _____
 Item # _____
 Quantity _____

SPECTRUM

Heavy Duty Commercial Microwaves with Touch Controls

Models: EMW-1800AT | EMW-2100BT

Heavy Duty commercial microwaves that are designed to meet the needs of high-volume foodservice operations. These stackable and powerful microwaves are essential for Chain Restaurants, Healthcare, Concessions, Supermarkets, Convenience Stores, Corrections and more. Attractive, easy-to-clean stainless steel interior and exterior deliver performance with the push of a button .

Standard Features

- ◆ 1800W or 2100W output with 5 power levels, dual magnetron and top & bottom rotating antennas
- ◆ Stackable stainless steel ovens with cleanable air intake filter, glass door, LED display and end of cycle audible alert
- ◆ Stainless steel interior with cleanable ceiling splatter shield and ceramic bottom deck and light
- ◆ Large capacity 1.2 cubic ft (34L) accommodates a 14" (356mm) platter or 6" (153mm) tall pan
- ◆ Manual time and power option plus 2X multiple quantity button for numerous portions
- ◆ 10 pre-programmed cooking options, storing up to 100 cooking programs
- ◆ 3 stage cooking with one-touch programming
- ◆ One year parts and labor warranty



EMW-1800AT
 EMW-2100AT

Options & Accessories

PTW-7K	Tortilla Warmer
PH-8N	Neoprene Pot Holder
PFS-1	Face Shield
PPCR-Series	Plate Covers

For California Customers
WARNING: Cancer and Reproductive Harm - www.P65Warnings.ca.gov

Headquarters: 888-946-2682
Showroom: 786-536-4656

equipsales@wincous.com

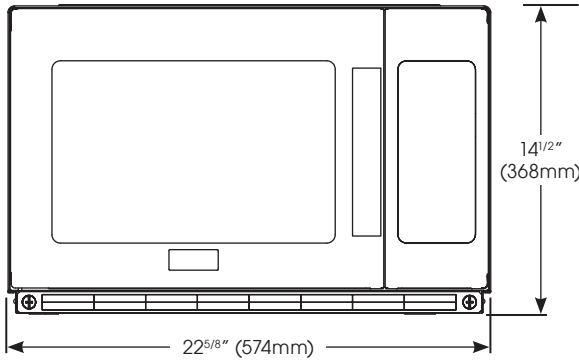
www.wincous.com

• Lodi, New Jersey
 • Miami, Florida
 • Las Vegas, Nevada

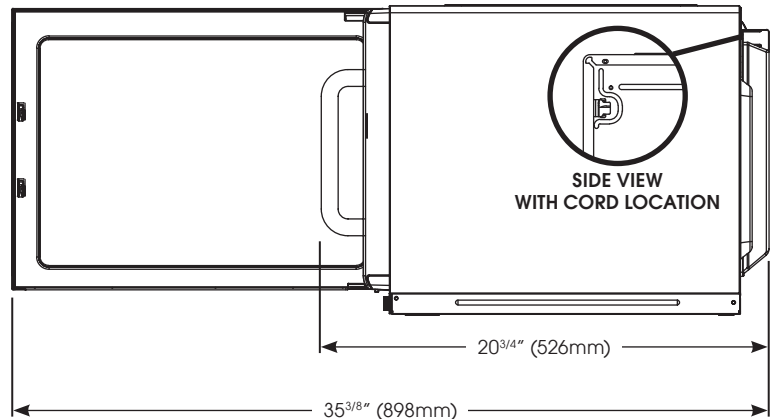


Heavy Duty Commercial Microwaves with Touch Controls

Models: EMW-1800AT | EMW-2100BT



FRONT VIEW



SIDE VIEW WITH DOOR OPEN

Specifications

MODEL	DESCRIPTION	OVERALL DIMENSIONS			VOLTS	HZ/PH	WATTS	AMPS	PLUG	SHIP WEIGHT
		LENGTH	DEPTH	HEIGHT						
EMW-1800AT	Heavy Duty Commercial Microwave with Touch Controls	22-5/8" (574mm)	20-3/4" (526mm)	14-1/2" (368mm)	208/230	60~1Ph	1800	18	NEMA 6-20P	76.1 lbs (34.5 kgs)
INTERIOR DIMENSIONS										
EMW-2100BT		14-1/8" (360mm)	16-1/8" (409mm)	8-7/8" (225mm)			2100			

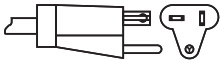
*Note: Minimum clearance Top 12"(300mm), Sides 4"(100mm), Back 4"(100mm)

Cord Location

On back top right rear

Plug Configuration

NEMA 6-20P



Product Specs

Heavy Duty Commercial Microwaves with Touch Controls

The Touch Control Microwave models EMW-1800AT and EMW-2100BT as manufactured by Winco®, Lodi, NJ 07644.

Heavy Duty Commercial Microwave with Touch Controls model EMW-1800AT shall be rated at 1800 Watts and EMW-2100BT shall be rated at 2100 Watts output with 5 power levels, dual magnetron and top & bottom rotating antenna, selectable 208/230V~60Hz~1ph power supply setting with NEMA 6-20P plug. Units shall be stackable with stainless steel exterior, cleanable air intake filter, glass door, LED display, end of cycle audible alert, Stainless steel interior with cleanable ceiling splatter shield, ceramic bottom deck and light

Cavity shall have a capacity 1.2 cubic ft (34L) and accommodates a 14" (356mm) platter or 6"(152.4mm) tall pan. Oven shall have a capacity to store up to 100 auto items programs with 3 stage cooking options. Touch control pad shall contain quick-buttons for 10 pre-programmed items, 5 power levels, manual cooking time and X2 multiple quantity portion cooking.

cULus and ETL Sanitation listed.

Warranty consists of one year parts and labor.

Headquarters: 888-946-2682
Showroom: 786-536-4656

equipsales@wincous.com

www.wincous.com

• Lodi, New Jersey
• Miami, Florida
• Las Vegas, Nevada