



VEGETABLE PREPARATION MACHINE CA-3V

Commercial vegetable preparation. Production up to 1,000 lbs./hour.



SALES DESCRIPTION

Variable speed motor block + universal head.
Equipped with “brushless” technology.

Equipped with “brushless” technology: powerful and efficient motors.

- ✓ Maximum efficiency: maintain the torque throughout the speed range.
- ✓ Exclusive “force control system”: guarantee of a uniform and high quality cut.
- ✓ Lightweight and compact design: they weigh less, they occupy less space.
- ✓ Improved air/water-tightness since no ventilation is required.
- ✓ They generate less noise: improved workplace environment.

A perfect cut

- ✓ High precision adjustments to obtain a uniform and excellent-quality cut.
- ✓ It can be fitted with a wide range of discs and grids of the highest cutting quality. Combining these accessories together to obtain more than 70 different types of cuts and grating grades.
- ✓ Exclusive “Force Control System” to optimise and standardise the cutting of each product: acoustic warning when the motor exceeds the pre-established force.

Built to last

- ✓ Made from stainless steel and food-grade materials of the highest quality: stainless steel motor block and food-grade aluminium head.

Maximum comfort for the user

- ✓ Ergonomic design: product sliced in one single movement.
- ✓ Lateral product output: requires less space on the worktop and guides the product, avoiding splashes.
- ✓ Advanced control panel that is very intuitive to use and offers all the information at a glance.

Maintenance, safety, hygiene

- ✓ Lever and lid easily removable for cleaning purposes.
- ✓ Combination of safety systems: head, cover, power switch.
- ✓ Appliance certified by NSF International (regulations on hygiene, cleaning and materials suitable for contact with foods).
- ✓ 100% tested.

INCLUDES

- ✓ Variable speed motor block.
- ✓ Universal head.

ACCESSORIES

- | | |
|---|--|
| <input type="checkbox"/> FCC Curved Slicing Discs | <input type="checkbox"/> Disc and Grid Packs |
| <input type="checkbox"/> FCO Rippled Slicing Discs | <input type="checkbox"/> Disc and Grid Holder |
| <input type="checkbox"/> FFC Chipping Grids | <input type="checkbox"/> Stand-trolley |
| <input type="checkbox"/> FMC Dicing Grids | <input type="checkbox"/> Grid Cleaning Kit |
| <input type="checkbox"/> FCE Julienne Discs | <input type="checkbox"/> FC-D Slicing Discs |
| <input type="checkbox"/> FR Shredding & Grating Discs | <input type="checkbox"/> SH Shredding & Grating Discs ::
NEW: Detachable without tools
& dishwasher safe |
| <input type="checkbox"/> Long vegetable attachment | |



sammic | www.sammic.us
Food Service Equipment Manufacturer

usa@sammic.com
1225 Hartrey Avenue
60202-1056 Evanston, IL

phone +1 (224) 307-2232
toll free +1 844 275 3848



Project	Date
Item	Qty
Approved	

product sheet
updated 11/29/21

DYNAMIC PREPARATION
COMMERCIAL VEGETABLE PREPARATION MACHINES



VEGETABLE PREPARATION MACHINE CA-3V

Commercial vegetable preparation. Production up to 1,000 lbs./hour.



SPECIFICATIONS

Hourly production (pieces): 300 lbs. - 1000 lbs.

Inlet opening: 21 in2

Disc diameter: 8 "

Motor speed:300-1000 rpm

Total loading: 3 Hp

Noise level (1m.): <70 dB(A)

Background noise: 32 dB(A)

External dimensions (WxDxH)

Width: 15.4 "

Depth: 16.1 "

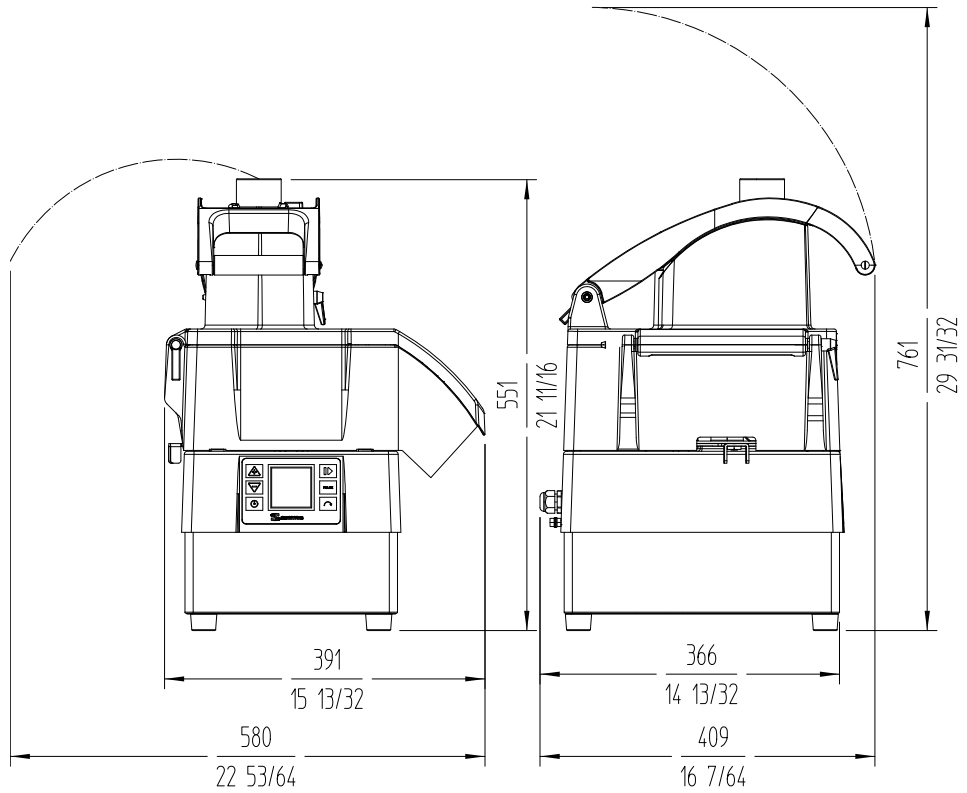
Height: 21.7 "

Crated dimensions

17.1 x 16.9 x 23.6 "

Volume Packed: 0.11 m³

Gross weight: 61.7 lbs.





DYNAMIC PREPARATION
COMMERCIAL VEGETABLE PREPARATION MACHINES

AVAILABLE MODELS

1050787 Vegetable preparation machine CA-3V 120/50-60/1

* Ask for special versions availability

 sammic www.sammic.us Food Service Equipment Manufacturer usa@sammic.com phone +1 (224) 307-2232 1225 Hartrey Avenue toll free +1 844 275 3848 60202-1056 Evanston, IL		Project	Date
		Item	Qty
		Approved	

product sheet
updated 11/29/21