



The Signature of Quality®

FEDERAL INDUSTRIES

A Standex Company

215 Federal Avenue
Belleville, Wisconsin 53508-9201

Phone: 800-356-4206

Fax: 608-424-3234

Email: Geninfo@Federalind.com

Website: Federalind.com

Project Name: _____

Item #: _____

Model #: _____ Qty: _____

Approval: _____

AIA #

SIS #

VISION SERIES - High Profile Self-Serve Refrigerated Merchandiser - 60"

Designed with impulse sales in mind. Get maximum return from an attention-grabbing merchandiser and increase profits.



Model VRSS4878S Shown
Optional shelf lights & roll cover shown

MODEL	DIMENSIONS (Includes End Panels)
<input type="checkbox"/> VRSS3660S	36 x 33 x 60 (in) 914 x 838 x 1524 (mm)
<input type="checkbox"/> VRSS4860S	47.25 x 33 x 60 (in) 1200 x 838 x 1524 (mm)
<input type="checkbox"/> VRSS6060S	59.25 x 33x 60 (in) 1505 x 838 x 1524 (mm)
<input type="checkbox"/> VRSS7260S	71.25 x 33x 60 (in) 1810 x 838 x 1524 (mm)

STANDARD FEATURES

Model Features

- Welded powder coated steel base fabrication
- Choice of six standard laminates on exterior
- Black powder coated metal front & rear grill
- Black Trim
- Stainless steel display deck
- Glass ends or black solid ends ends
- Black interior back panel
- Moisture resistant end panel construction
- Front air intake / front & rear discharge
- Energy saving night curtain
- Adjustable Leg Levelers
- Cord & Plug

Refrigeration

- Electronic temperature control with on demand defrost
- Refrigeration controls maintain 38°-40°F (3.3°-4.4°C) Note: Case temperature will vary if the air curtain is disrupted.
- Thermometer
- R449a refrigerant

Shelving

- Two tiers of adjustable black metal shelves with black price tag molding. Shelves can be flat or slanted downwards at 10°

Lighting

- 3500K LED top light

Agency Approvals

- UL, C-UL and UL Sanitation listed to NSF-7, Type II conditions
- DOE 2017 compliant

OPTIONAL ACCESSORIES

- | | |
|--|---|
| <input type="checkbox"/> Special External Laminate Finish | <input type="checkbox"/> LED Lights Below Shelves |
| <input type="checkbox"/> White Interior (Including Shelving) | <input type="checkbox"/> 2 1/2" recessed (63.5mm) or 4" (101.6mm) Casters (Self Contained Models Only) |
| <input type="checkbox"/> Stainless Steel Interior Back (Including Shelves) | <input type="checkbox"/> Legs, 6", (152mm) |
| <input type="checkbox"/> Stainless Steel Exterior Finish | <input type="checkbox"/> Skirt with Casters or Legs |
| <input type="checkbox"/> Reflective End Glass | <input type="checkbox"/> Joining Kit for Continuous Line-Ups |
| <input type="checkbox"/> Additional Lighted (LED) Shelf | <input type="checkbox"/> Condensate Evaporator Assembly (Field Install) (Separate 120V, 20A Circuit Required) (Remote Only) |
| <input type="checkbox"/> Deli Meat Pegs | <input type="checkbox"/> Remote Refrigeration With Condensate Pump (R449a Refrigerant, EEV Included) |
| <input type="checkbox"/> Sliding Rear Access Doors | <input type="checkbox"/> Front Cart Bumper |
| <input type="checkbox"/> Roll-up Security Cover (Square End Profile) | <input type="checkbox"/> Reversing Condenser Coil Fan |
| <input type="checkbox"/> Removable Security Cover | |
| <input type="checkbox"/> Solid Right/Left End Panels (mirrored) | |

*Additional options available on the website and price list.



WARRANTY*
One year Parts and Labor
2nd thru 5th year part only
service compressor
(U.S.A. and Canada)

Note: Information is subject to change at any time. Visit www.federalind.com for the most current specs.

AIA #	VISION SERIES - High Profile Self-Serve Refrigerated Merchandiser - 60"
SIS #	Product Specifications

Intended Environment: Type II (Self Contained and Remote) - Designed to operate in maximum ambient conditions of 80°F (24°C) and 55% relative humidity.		
Zone	Intended Product To Be Displayed	Avg Prod Temp °F/°C
All	Packaged Refrigerated Products	38°F / [3.3°C]

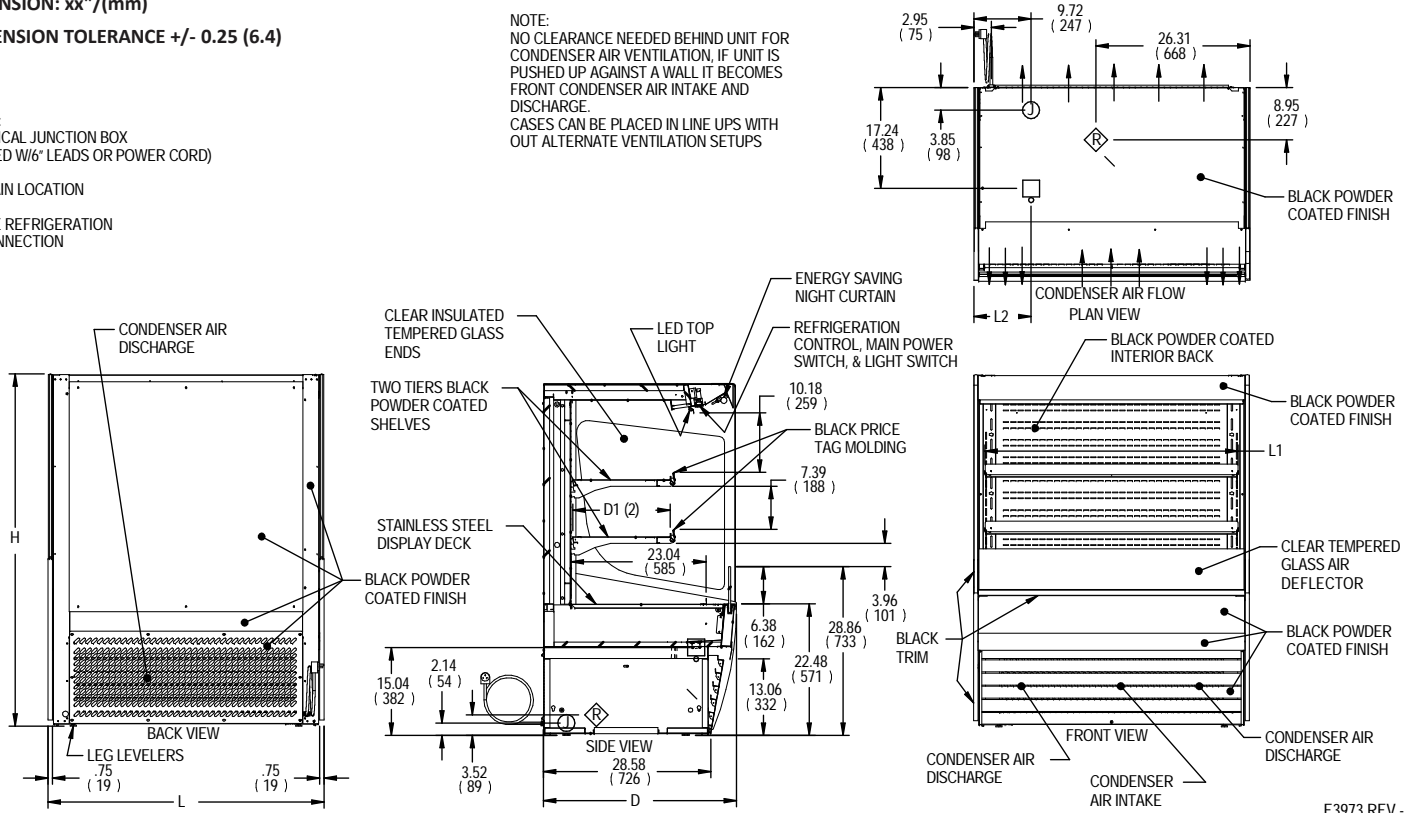
DIMENSION: xx"/(mm)
DIMENSION TOLERANCE +/- 0.25 (6.4)

SYMBOL KEY:
 ELECTRICAL JUNCTION BOX (SUPPLIED W/6' LEADS OR POWER CORD)

TUB DRAIN LOCATION

REMOTE REFRIGERATION LINE CONNECTION

NOTE:
 NO CLEARANCE NEEDED BEHIND UNIT FOR CONDENSER AIR VENTILATION, IF UNIT IS PUSHED UP AGAINST A WALL IT BECOMES FRONT CONDENSER AIR INTAKE AND DISCHARGE.
 CASES CAN BE PLACED IN LINE UPS WITH OUT ALTERNATE VENTILATION SETUPS



E3973 REV -

MODEL	DIMENSIONS			TUB DRAIN	SHELVING		INTERIOR VOLUME CU FT	STANDARD CONNECTION CORD & PLUG				REFRIGERANT	C.U. HP	REMOTE					
	L	D	H	L2	# OF TIERS	L1		D1	ELECTRICAL					FREON	BTU'S @ +20°	SHIP WHT			
	in	in	in	in		in		in	2 WIRE + GROUND	AMPS	MAX FUSE SIZE						NEMA CORD & PLUG	2 WIRE + GROUND	SHIP WHT
	mm	mm	mm	mm	mm	mm		mm	2 WIRE + GROUND	AMPS	MAX FUSE SIZE			NEMA CORD & PLUG	KILO	AMPS	MAX FUSE SIZE	KILO	
VRSS3660S	36	33	60	6.74	2	32.25	16.634	120/60/1	12.7	20	NEMA 5-20P	R449A	3/4	535	2.5	15	R449A	6,720	490
	914	838	1524	171		819	423							243					222
VRSS4860S	47.25	33	60	13.49	2	43.25	16.634	208-240/60/1	12.5	20	NEMA 6-20P	R449A	1	620	3.0	15	R449A	9,580	580
	1200	838	1524	343		1099	423							281					263
VRSS6060S	59.25	33	60	14.12	2	55.25	16.634	208-240/60/1	13.5	20	NEMA 6-20P	R449A	1-1/4	755	3.5	15	R449A	11,200	710
	1505	838	1524	359		1403	423							342					322
VRSS7260S	71.25	33	60	20.12	2	67.25	16.634	208-240/60/1	13.7	20	NEMA 6-20P	R449A	1-1/4	845	3.5	15	R449A	12,300	800
	1810	838	1524	511		1708	423							383					363

- Due to continuing engineering improvements, specifications are subject to change without notice.
- Case temperature will vary if the air curtain is disrupted.



FEDERAL INDUSTRIES
 A Standex Company
 215 Federal Avenue Belleville, Wisconsin 53508-9201

Phone: 800-356-4206
Fax: 608-424-3234
Email: Geninfo@Federalind.com
Website: Federalind.com