



The Signature of Quality

FEDERAL INDUSTRIES

A Standex Company

215 Federal Avenue
Belleville, Wisconsin 53508-9201

Phone: 800-356-4206

Fax: 608-424-3234

Email: Geninfo@Federalind.com

Website: Federalind.com

Project Name: _____

Item #: _____

Model #: _____ Qty: _____

Approval: _____

AIA #

SIS #

VISION SERIES - High Profile Self-Serve Non- Refrigerated Merchandiser - 78"

Designed with impulse sales in mind. Get maximum return from an attention-grabbing merchandiser and increase profits.



Model VNSS3678C Shown

| MODEL | DIMENSIONS (Includes End Panels) |
|------------------------------------|--|
| <input type="checkbox"/> VNSS3678C | 36 x 33 x 78 (in) 914 x 838 x 1981 (mm) |
| <input type="checkbox"/> VNSS4878C | 47.25 x 33 x 78 (in) 1200 x 838 x 1981 (mm) |
| <input type="checkbox"/> VNSS6078C | 59.25 x 33 x 78 (in) 1505 x 838 x 1981 (mm) |
| <input type="checkbox"/> VNSS7278C | 71.25 x 33 x 78 (in) 1810 x 838 x 1981 (mm) |

STANDARD FEATURES

Model Features

- Welded powder coated steel base fabrication
- Choice of six standard laminates on exterior
- Black powder coated metal front and rear grill
- Stainless steel display deck
- Glass ends or black solid ends
- Black interior back panel
- Moisture resistant end panel construction
- Cord & Plug
- Leveling Legs

Shelving

- Four tiers of adjustable black metal shelves with price tag molding. Shelves can be flat or slanted downwards at 10°

Lighting

- 3500K LED top light,

Agency Approvals

- UL, C-UL

OPTIONAL ACCESSORIES

- Special External Laminate Finish
- Graphics Package
- White Interior (Including Shelving)
- Stainless Steel Interior (Including Shelves)
- Stainless Steel Exterior Finish
- Stainless Steel Shelves
- Reflective End Glass
- Peg Hooks
- Sliding Rear Access Doors (hinged on 36" cases)
- Roll-up Security Cover (Square End Profile)
- LED Lights Below Shelves
- Additional Lighted (LED) Shelf
- 2 1/2" (63.5mm) recessed or 4" (101.6mm) Casters (Cord Included)
- Legs, 6", (152mm)
- Skirt with Casters or Legs
- Joining Kit for Continuous Line-Ups
- Removable Security Cover
- Solid Right/Left End Panels (mirrored)

*Additional options available on the website and price list.



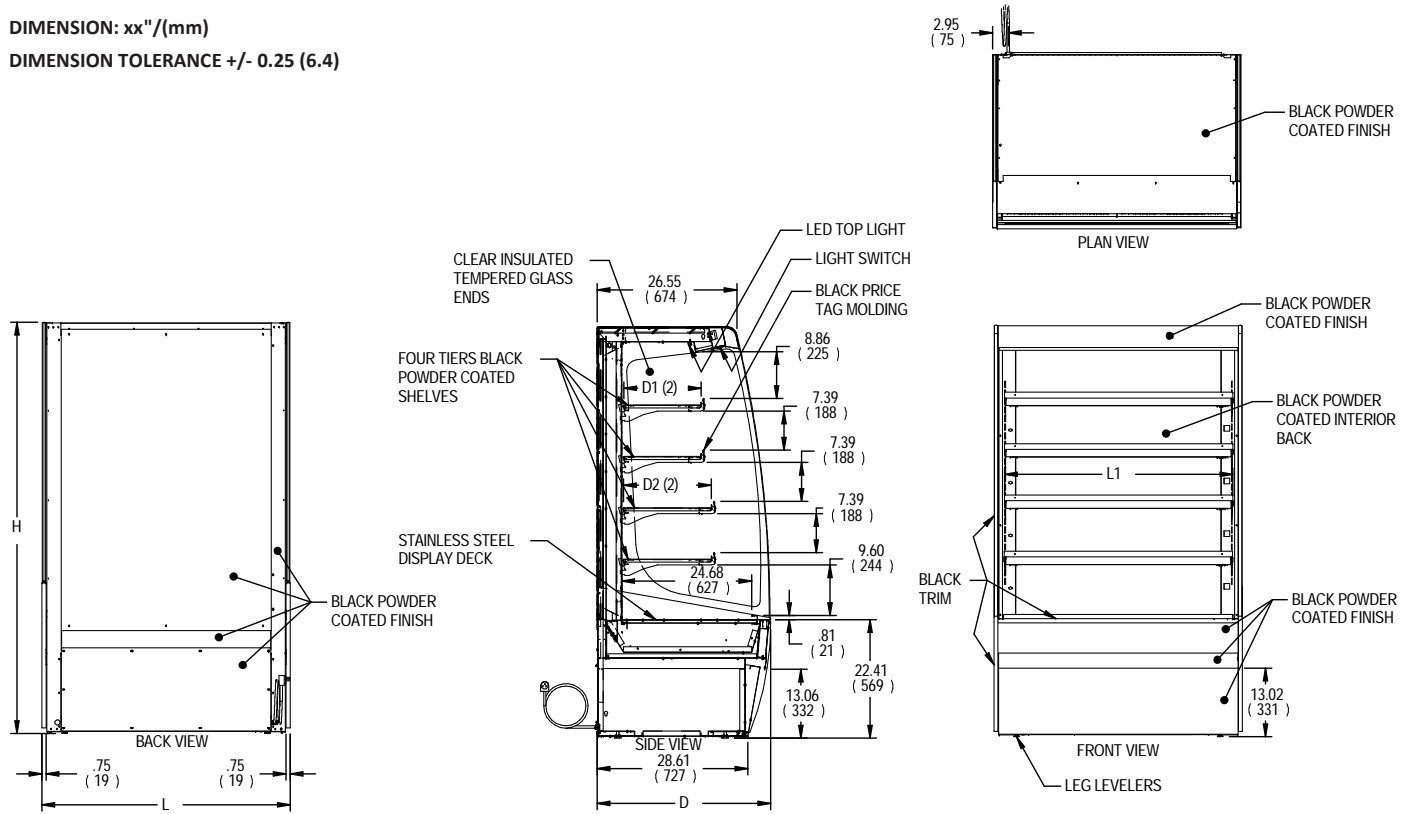
WARRANTY*
One year Parts and Labor
2nd thru 5th year part only
service compressor
(U.S.A. and Canada)

Note: Information is subject to change at any time. Visit www.federalind.com for the most current specs.

| | |
|-------|---|
| AIA # | Vision Series - Non-Refrigerated Self-Serve specialty Merchandiser - 78" |
| SIS # | Product Specifications |

| | |
|------|-----------------------------------|
| Zone | Intended Product To Be Displayed |
| All | Non-Refrigerated Package Products |

DIMENSION: xx"/(mm)
DIMENSION TOLERANCE +/- 0.25 (6.4)



E3978-1 REV -

| MODEL | DIMENSIONS | | | # OF TIERS | SHELVING | | | INTERIOR VOLUME CU FT | STANDARD CONNECTION CORD & PLUG | | | SHIP WEIGHT |
|-----------|------------|-----|------|------------|----------|--------|--------|-----------------------|---------------------------------|---------------|------------------|-------------|
| | L | D | H | | L | D1 | D2 | | 2 WIRE + GROUND | | NEMA CORD & PLUG | |
| | in | in | in | | in | in | in | | 120/60/1 | | | |
| | mm | mm | mm | | mm | mm | mm | | AMPS | MAX FUSE SIZE | | KILO |
| VNSS3678C | 36 | 33 | 78 | 4 | 32.25 | 14.634 | 16.634 | 19.47 | 1.5 | 15 | NEMA 5-15P | 655 |
| | 914 | 838 | 1981 | | 819 | 372 | 423 | | | | | 297 |
| VNSS4878C | 47.25 | 33 | 78 | 4 | 43.25 | 14.634 | 16.634 | 25.74 | 1.5 | 15 | NEMA 5-15P | 735 |
| | 1200 | 838 | 1981 | | 1099 | 372 | 423 | | | | | 333 |
| VNSS6078C | 59.25 | 33 | 78 | 4 | 55.25 | 14.634 | 16.634 | 32.58 | 2.0 | 15 | NEMA 5-15P | 940 |
| | 1505 | 838 | 1981 | | 1403 | 372 | 423 | | | | | 426 |
| VNSS7278C | 71.25 | 33 | 78 | 4 | 67.25 | 14.634 | 16.634 | 39.42 | 2.0 | 15 | NEMA 5-15P | 995 |
| | 1810 | 838 | 1981 | | 1708 | 372 | 423 | | | | | 451 |

• Due to continuing engineering improvements, specifications are subject to change without notice.



ANSI/NSF 2



FEDERAL INDUSTRIES
 A Standex Company
 215 Federal Avenue Belleville, Wisconsin 53508-9201

Phone: 800-356-4206
Fax: 608-424-3234
Email: Geninfo@Federalind.com
Website: Federalind.com