



The Signature of Quality®

FEDERAL INDUSTRIES

A Standex Company

215 Federal Avenue
Belleville, Wisconsin 53508-9201

Phone: 800-356-4206

Fax: 608-424-3234

Email: Geninfo@Federalind.com

Website: Federalind.com

Project Name: _____

Item #: _____

Model #: _____ Qty: _____

Approval: _____

AIA #

SIS #

VISION SERIES - High Profile Self-Serve Non- Refrigerated Merchandiser - 60"

Designed with impulse sales in mind. Get maximum return from an attention-grabbing merchandiser and increase profits.



Model VNSS3660S Shown

MODEL	DIMENSIONS (Includes End Panels)
<input type="checkbox"/> VNSS3660S	36 x 33 x 60 (in) 914 x 838 x 1524 (mm)
<input type="checkbox"/> VNSS4860S	47.25 x 33 x 60 (in) 1200 x 838 x 1524 (mm)
<input type="checkbox"/> VNSS6060S	59.25 x 33 x 60 (in) 1505 x 838 x 1524 (mm)
<input type="checkbox"/> VNSS7260S	71.25 x 33 x 60 (in) 1810 x 838 x 1524 (mm)

STANDARD FEATURES

Model Features

- Welded powder coated steel base fabrication
- Choice of six standard laminates on exterior
- Black powder coated metal front and rear grill
- Stainless steel display deck
- Glass ends or black solid ends
- Black interior back panel
- Moisture resistant end panel construction
- Cord & Plug
- Leveling Legs

Shelving

- Two tiers of adjustable black metal shelves with price tag molding. Shelves can be flat or slanted downwards at 10°

Lighting

- 3500K LED top light, DLC certified, IP 65 rated

Agency Approvals

- UL, C-UL

OPTIONAL ACCESSORIES

- | | |
|--|---|
| <input type="checkbox"/> Special External Laminate Finish | <input type="checkbox"/> LED Lights Below Shelves |
| <input type="checkbox"/> Graphics Package | <input type="checkbox"/> Additional Lighted (LED) Shelf |
| <input type="checkbox"/> White Interior (Including Shelving) | <input type="checkbox"/> 2 1/2" (63.5mm) recessed or |
| <input type="checkbox"/> Stainless Steel Interior (Including Shelves) | <input type="checkbox"/> 4" (101.6mm) Casters (Cord Included) |
| <input type="checkbox"/> Stainless Steel Exterior Finish | <input type="checkbox"/> Legs, 6", (152mm) |
| <input type="checkbox"/> Stainless Steel Shelves | <input type="checkbox"/> Skirt with Casters or Legs |
| <input type="checkbox"/> Reflective End Glass | <input type="checkbox"/> Joining Kit for Continuous Line-Ups |
| <input type="checkbox"/> Peg Hooks | <input type="checkbox"/> Removable Security Cover |
| <input type="checkbox"/> Sliding Rear Access Doors (hinged on 36" cases) | <input type="checkbox"/> Solid Right/Left End Panels (mirrored) |
| <input type="checkbox"/> Roll-up Security Cover (Square End Profile) | |

*Additional options available on the website and price list.



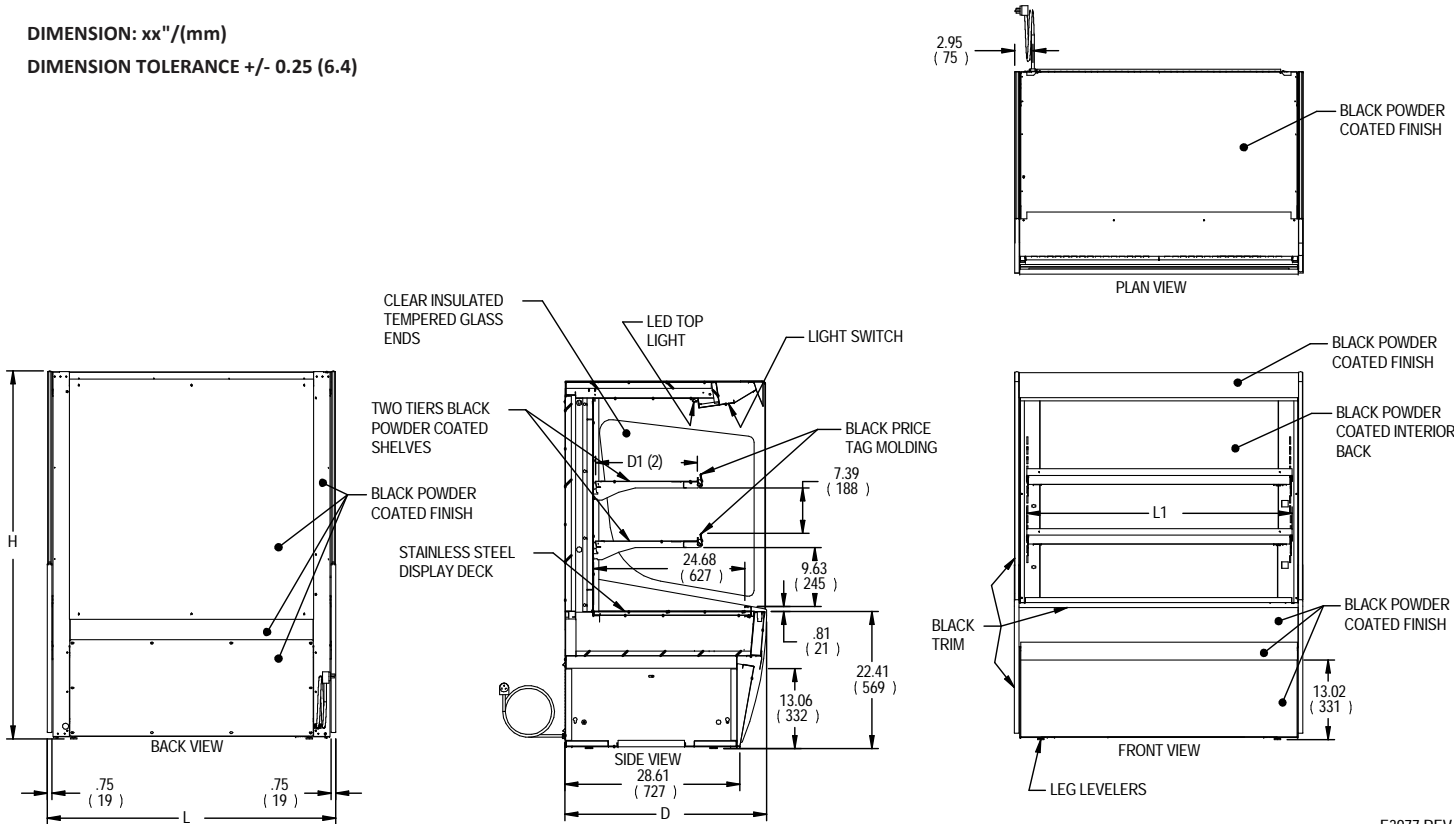
WARRANTY*
One year Parts and Labor
2nd thru 5th year part only
service compressor
(U.S.A. and Canada)

Note: Information is subject to change at any time. Visit www.federalind.com for the most current specs.

AIA #	VISION SERIES - High Profile Self-Serve Non-Refrigerated Merchandiser - 78"
SIS #	Product Specifications

Zone	Intended Product To Be Displayed
All	Non-Refrigerated Package Products

DIMENSION: xx"/(mm)
DIMENSION TOLERANCE +/- 0.25 (6.4)



E3977 REV.

MODEL	DIMENSIONS			SHELVING		INTERIOR VOLUME CU FT	STANDARD CONNECTION CORD & PLUG			SHIP WEIGHT	
	L	D	H	# OF TIERS	L1		D1	2 WIRE + GROUND			NEMA CORD & PLUG
	in	in	in		in		in	120/60/1			
	mm	mm	mm		mm		mm	AMPS	MAX FUSE SIZE		
VNSS3660S	36	33	60	2	32.25	16.634	13.98	1.5	15	NEMA 5-15P	445
	914	838	1524		819	423					202
VNSS4860S	47.25	33	60	2	43.25	16.634	18.48	1.5	15	NEMA 5-15P	535
	1200	838	1524		1099	423					243
VNSS6060S	59.25	33	60	2	55.25	16.634	23.39	2.0	15	NEMA 5-15P	665
	1505	838	1524		1403	423					302
VNSS7260S	71.25	33	60	2	67.25	16.634	28.30	2.0	15	NEMA 5-15P	755
	1810	838	1524		1708	423					342

• Due to continuing engineering improvements, specifications are subject to change without notice.



ANSI/NSF 2



FEDERAL INDUSTRIES
 A Standex Company
 215 Federal Avenue Belleville, Wisconsin 53508-9201

Phone: 800-356-4206
Fax: 608-424-3234
Email: Geninfo@Federalind.com
Website: Federalind.com