



The Signature of Quality

FEDERAL INDUSTRIES

A Standex Company

215 Federal Avenue
Belleville, Wisconsin 53508-9201

Phone: 800-356-4206

Fax: 608-424-3234

Email: Geninfo@Federalind.com

Website: Federalind.com

Project Name: _____

Item #: _____

Model #: _____ Qty: _____

Approval: _____

AIA #

SIS #

VISION SERIES - High Profile Self-Serve Non- Refrigerated Merchandiser - 78"

Designed with impulse sales in mind. Get maximum return from an attention-grabbing merchandiser and increase profits.



Model VNSS4878S Shown

MODEL	DIMENSIONS (Includes End Panels)
<input type="checkbox"/> VNSS3678S	36 x 33 x 78 (in) 914 x 838 x 1981 (mm)
<input type="checkbox"/> VNSS4878S	47.25 x 33 x 78 (in) 1200 x 838 x 1981 (mm)
<input type="checkbox"/> VNSS6078S	59.25 x 33 x 78 (in) 1505 x 838 x 1981 (mm)
<input type="checkbox"/> VNSS7278S	71.25 x 33 x 78 (in) 1810 x 838 x 1981 (mm)

STANDARD FEATURES

Model Features

- Welded powder coated steel base fabrication
- Choice of six standard laminates on exterior
- Black powder coated metal front and rear grill
- Stainless steel display deck
- Glass ends or black solid ends
- Black interior back panel
- Moisture resistant end panel construction
- Cord & Plug
- Leveling Legs

Shelving

- Four tiers of adjustable black metal shelves with price tag molding. Shelves can be flat or slanted downwards at 10°

Lighting

- 3500K LED top light

Agency Approvals

- UL, C-UL

OPTIONAL ACCESSORIES

- Special External Laminate Finish
- Graphics Package
- White Interior (Including Shelving)
- Stainless Steel Interior (Including Shelves)
- Stainless Steel Exterior Finish
- Stainless Steel Shelves
- Reflective End Glass
- Peg Hooks
- Sliding Rear Access Doors (hinged on 36" cases)
- Roll-up Security Cover (Square End Profile)
- LED Lights Below Shelves
- Additional Lighted (LED) Shelf
- 2 1/2" (63.5mm) recessed or 4" (101.6mm) Casters (Cord Included)
- Legs, 6", (152mm)
- Skirt with Casters or Legs
- Joining Kit for Continuous Line-Ups
- Removable Security Cover
- Solid Right/Left End Panels (mirrored)

*Additional options available on the website and price list.



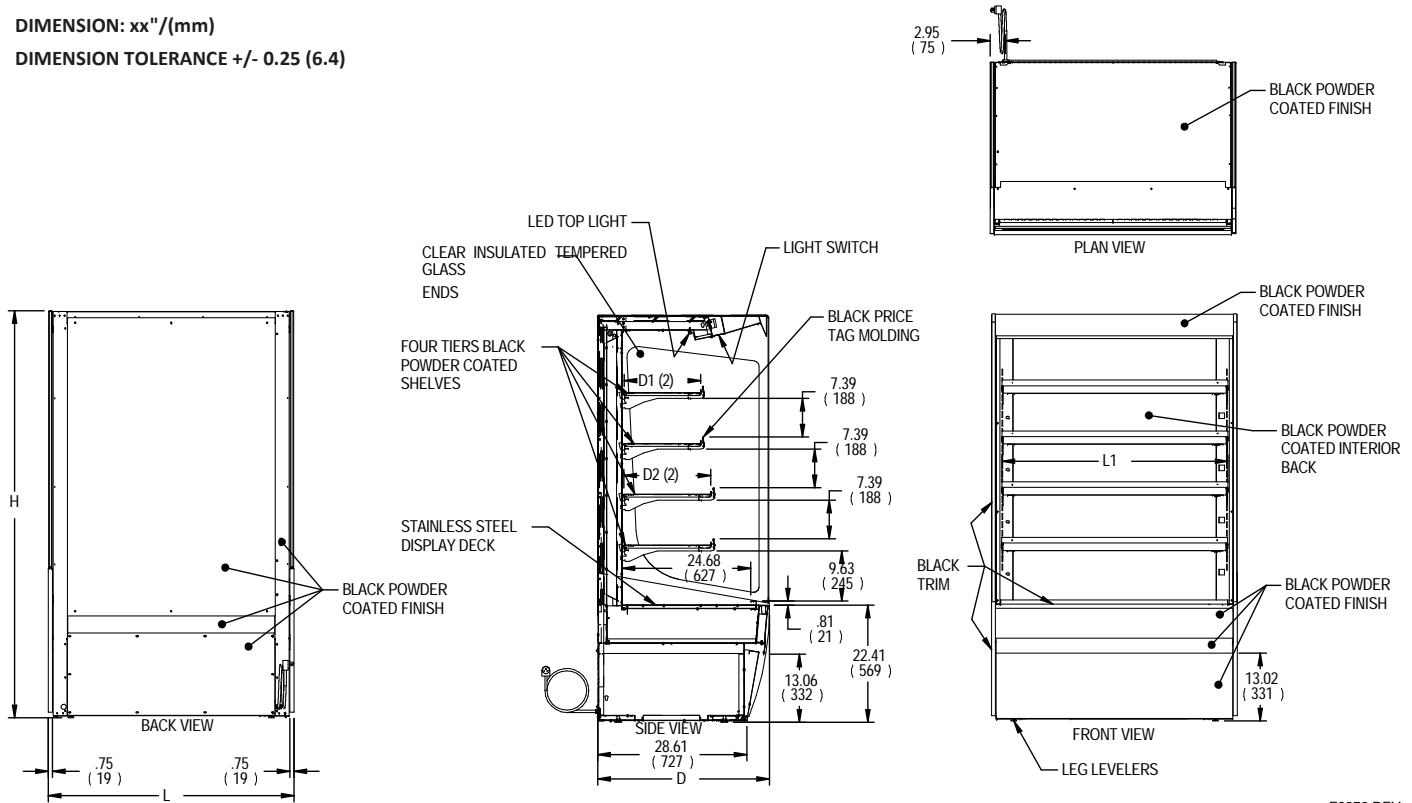
WARRANTY*
One year Parts and Labor
2nd thru 5th year part only
service compressor
(U.S.A. and Canada)

Note: Information is subject to change at any time. Visit www.federalind.com for the most current specs.

AIA #	VISION SERIES - High Profile Self-Serve Non-Refrigerated Merchandiser - 78"
SIS #	Product Specifications

Zone	Intended Product To Be Displayed	
All	Non-Refrigerated Package Products	

DIMENSION: xx"/(mm)
DIMENSION TOLERANCE +/- 0.25 (6.4)



E3978 REV -

MODEL	DIMENSIONS			# OF TIERS	SHELVING			INTERIOR VOLUME CU FT	STANDARD CONNECTION CORD & PLUG			SHIP WEIGHT
	L	D	H		L	D1	D2		2 WIRE + GROUND		NEMA CORD & PLUG	
	in	in	in		in	in	in		120/60/1			
	mm	mm	mm		mm	mm	mm		AMPS	MAX FUSE SIZE		KILO
VNSS3678S	36	33	78	4	32.25	14.634	16.634	19.47	1.5	15	NEMA 5-15P	655
	914	838	1981		819	372	423					297
VNSS4878S	47.25	33	78	4	43.25	14.634	16.634	25.74	1.5	15	NEMA 5-15P	735
	1200	838	1981		1099	372	423					333
VNSS6078S	59.25	33	78	4	55.25	14.634	16.634	32.58	2.0	15	NEMA 5-15P	940
	1505	838	1981		1403	372	423					426
VNSS7278S	71.25	33	78	4	67.25	14.634	16.634	39.42	2.0	15	NEMA 5-15P	995
	1810	838	1981		1708	372	423					451

• Due to continuing engineering improvements, specifications are subject to change without notice.



ANSI/NSF 2



FEDERAL INDUSTRIES
 A Standex Company
 215 Federal Avenue Belleville, Wisconsin 53508-9201

Phone: 800-356-4206
Fax: 608-424-3234
Email: Geninfo@Federalind.com
Website: Federalind.com