



The Signature of Quality®

FEDERAL INDUSTRIES

A Standex Company

215 Federal Avenue
Belleville, Wisconsin 53508-9201

Phone: 800-356-4206

Fax: 608-424-3234

Email: Geninfo@Federalind.com

Website: Federalind.com

Project Name: _____

Item #: _____

Model #: _____ Qty: _____

Approval: _____

AIA #

SIS #

Vision Series - Straight End Self-Serve Heated Merchandiser - 78"

Designed for customers looking to increase grab and go sales of hot packaged products or to complement refrigerated offering.



Model VHSS3678S

MODEL	DIMENSIONS (Includes End Panels)
<input type="checkbox"/> VHSS2478S	24 x 33 x 78 (in) 610 x 838 x 1981 (mm)
<input type="checkbox"/> VHSS3678S	36 x 33 x 78 (in) 914 x 838 x 1981 (mm)

STANDARD FEATURES

Model Features

- Matches profile of the VRSS & VNSS models
- Independently controlled heated shelves, and deck, for different menu items
- Stainless steel heated display deck, stainless steel interior sides and back panel
- Top LED light for maximum merchandising appeal and long life
- Powder coated base frame
- Tempered glass ends or solid ends (Moisture resistant end panel construction)
- End base comes Black Standard or Choice of six standard color laminates
- Adjustable Leg Levelers
- Cord & Plug

Heating System

- Easy front access microprocessor digital temperature controls
- Individually heated shelves that are easily adjusted or replaced
- Holds product up to average temperature of 160°F (71°C)

Shelving

- Four heated tiers of adjustable stainless-steel shelves with price tag rails on 1 5/8" centers. Shelves can be flat or slanted downwards at 10°
- Removable heated deck

Lighting

- 3500K LED Top Light

Base

- Leg levelers
- (6"/1829mm) Cord and plug

Agency Approvals

- UL and NSF

OPTIONAL ACCESSORIES

- | | |
|---|--|
| <input type="checkbox"/> Special Exterior Laminate Finish | <input type="checkbox"/> Legs, 6" (152mm) |
| <input type="checkbox"/> Graphics Package | <input type="checkbox"/> 2 1/2" (63.5 mm) recessed or 4" (101.6mm) casters |
| <input type="checkbox"/> Stainless Steel Exterior | <input type="checkbox"/> Front Cart Bumper |
| <input type="checkbox"/> Solid Right/Left End Panels (mirrored) | <input type="checkbox"/> Sliding Rear Doors |
| <input type="checkbox"/> Reflective End Glass | <input type="checkbox"/> LED Lights Below Shelves |
| | <input type="checkbox"/> Replacement Shelves and Deck |
| | <input type="checkbox"/> Joining kit for continuous line-ups |

*Additional options available on the website and price list.



WARRANTY*
One year Parts and Labor
(U.S.A. and Canada)

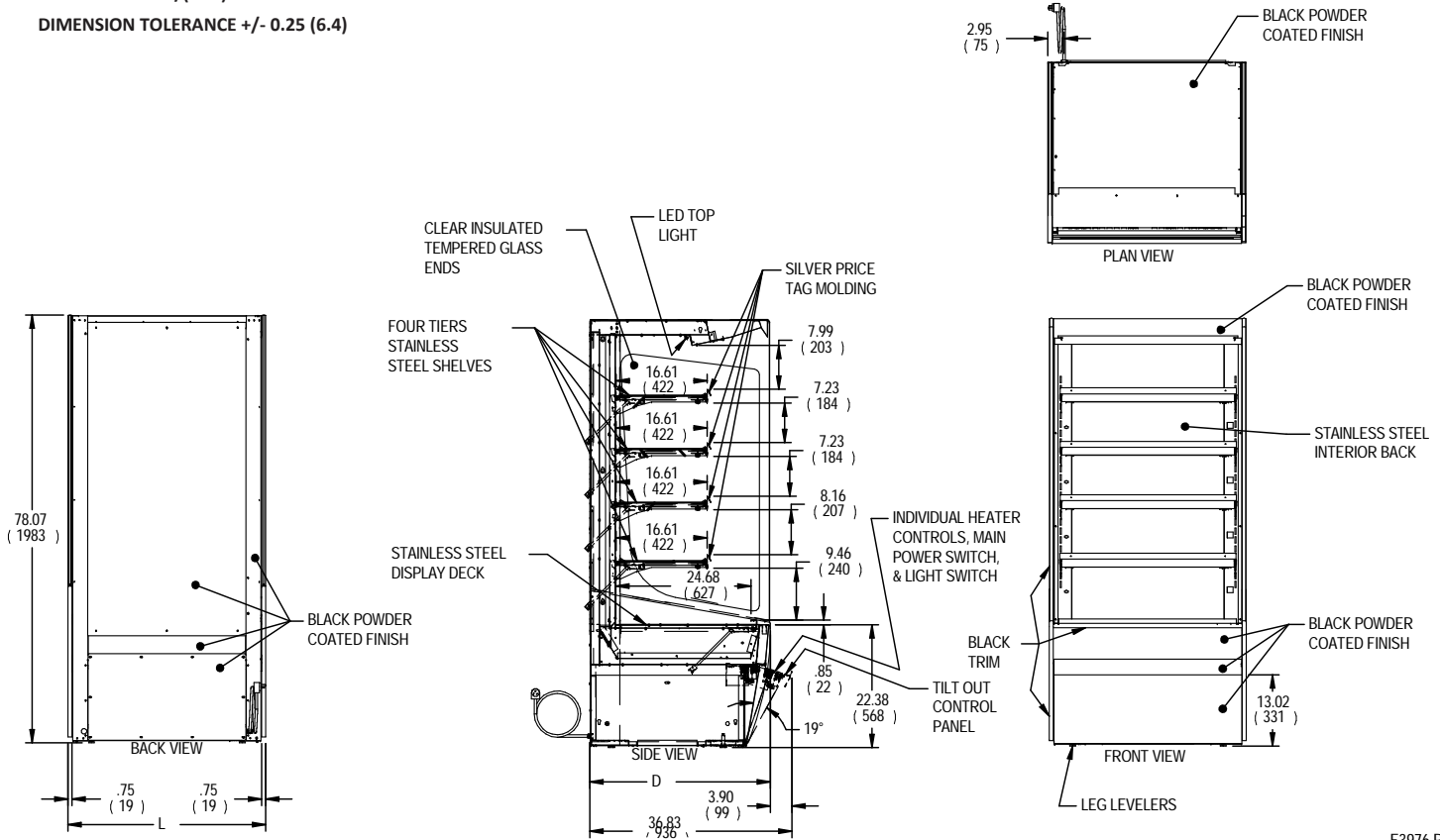
Note: Information is subject to change at any time. Visit www.federalind.com for the most current specs.

AIA #	Vision Series - Straight End Self-Serve Heated Merchandiser - 78"
SIS #	Product Specifications

	Intended Product to Be Displayed	Warmest Avg Prod Temp °F/°C
All	Zone Intended Product To Be Displayed Packaged Refrigerated Products	160°F/(71.1C)

DIMENSION: xx"/(mm)

DIMENSION TOLERANCE +/- 0.25 (6.4)



E3976 REV

MODEL	DIMENSIONS			SHELVING		INTERIOR VOLUME CU FT	STANDARD CONNECTION CORD & PLUG			SHIP WEIGHT	
	L	D	H	# OF TIERS	L		D	2 WIRE + GROUND			NEMA CORD & PLUG
	in	in	in		in		in	208-240/60/1			
	mm	mm	mm		mm		mm	AMPS	MAX FUSE SIZE	KILO	
VHSS2478S	24	33	78	4	32.25	16.61	12.64	8.6	15	NEMA 6-15P	510
	610	838	1981		819	422					231
VHSS3678S	36	33	78	4	43.25	16.61	19.47		20	NEMA 6-20P	555
	914	838	1981		1099	422					252

- Packaged food products placed in case must be pre-heated before placing in case.
- Due to continuing engineering improvements, specifications are subject to change without notice.



FEDERAL INDUSTRIES
 A Standex Company
 215 Federal Avenue, Belleville, Wisconsin 53508-9201

Phone: 800-356-4206
Fax: 608-424-3234
Email: Geninfo@Federalind.com
Website: Federalind.com