



The Signature of Quality

FEDERAL INDUSTRIES

A Standex Company

215 Federal Avenue
Belleville, Wisconsin 53508-9201

Phone: 800-356-4206

Fax: 608-424-3234

Email: Geninfo@Federalind.com

Website: Federalind.com

Project Name: _____

Item #: _____

Model #: _____ Qty: _____

Approval: _____

AIA #

SIS #

Vision Series - Straight End Self-Serve Heated Merchandiser - 60"

Designed for customers looking to increase grab and go sales of hot packaged products or to complement refrigerated offering.



Model VHSS3660S

MODEL	DIMENSIONS (Includes End Panels)
<input type="checkbox"/> VHSS2460S	24 x 33 x 60 (in) 610 x 838 x 1524 (mm)
<input type="checkbox"/> VHSS3660S	36 x 33 x 60 (in) 914 x 838 x 1524 (mm)
<input type="checkbox"/> VHSS4860S	47.25 x 33 x 60 (in) 1200 x 838 x 1524 (mm)

STANDARD FEATURES

Model Features

- Matches profile of the VRSS & VNSS models
- Independently controlled heated shelves, and deck, for different menu items
- Stainless steel heated display deck, stainless steel interior sides and back panel
- Top LED light for maximum merchandising appeal and long life
- Powder coated base frame
- Tempered glass end inserts with choice of six standard color laminates on exterior. Black standard.
- Adjustable Leg Levelers
- Cord & Plug

Heating System

- Easy front access microprocessor digital temperature controls
- Individually heated shelves that are easily adjusted or replaced
- Holds product up to average temperature of 160°F (71°C)

Shelving

- Three heated tiers of adjustable stainless-steel shelves with price tag rails on 1 5/8" centers. Shelves can be flat or slanted downwards at 10°
- Removable heated deck

Lighting

- 3500K LED Top Light

Base

- Leg levelers
- (6"/1829mm) Cord and plug

Agency Approvals

- UL and NSF

OPTIONAL ACCESSORIES

- Special Exterior Laminate Finish
- Graphics Package
- Stainless Steel Exterior
- Solid Right/Left End Panels (mirrored)
- Reflective End Glass
- Legs, 6" (152mm)
- 2 1/2" (63.5 mm) recessed or 4" (101.6mm) casters
- Front Cart Bumper
- Sliding Rear Doors
- LED Lights Below Shelves
- Replacement Shelves and Deck
- Joining kit for continuous line-ups

*Additional options available on the website and price list.



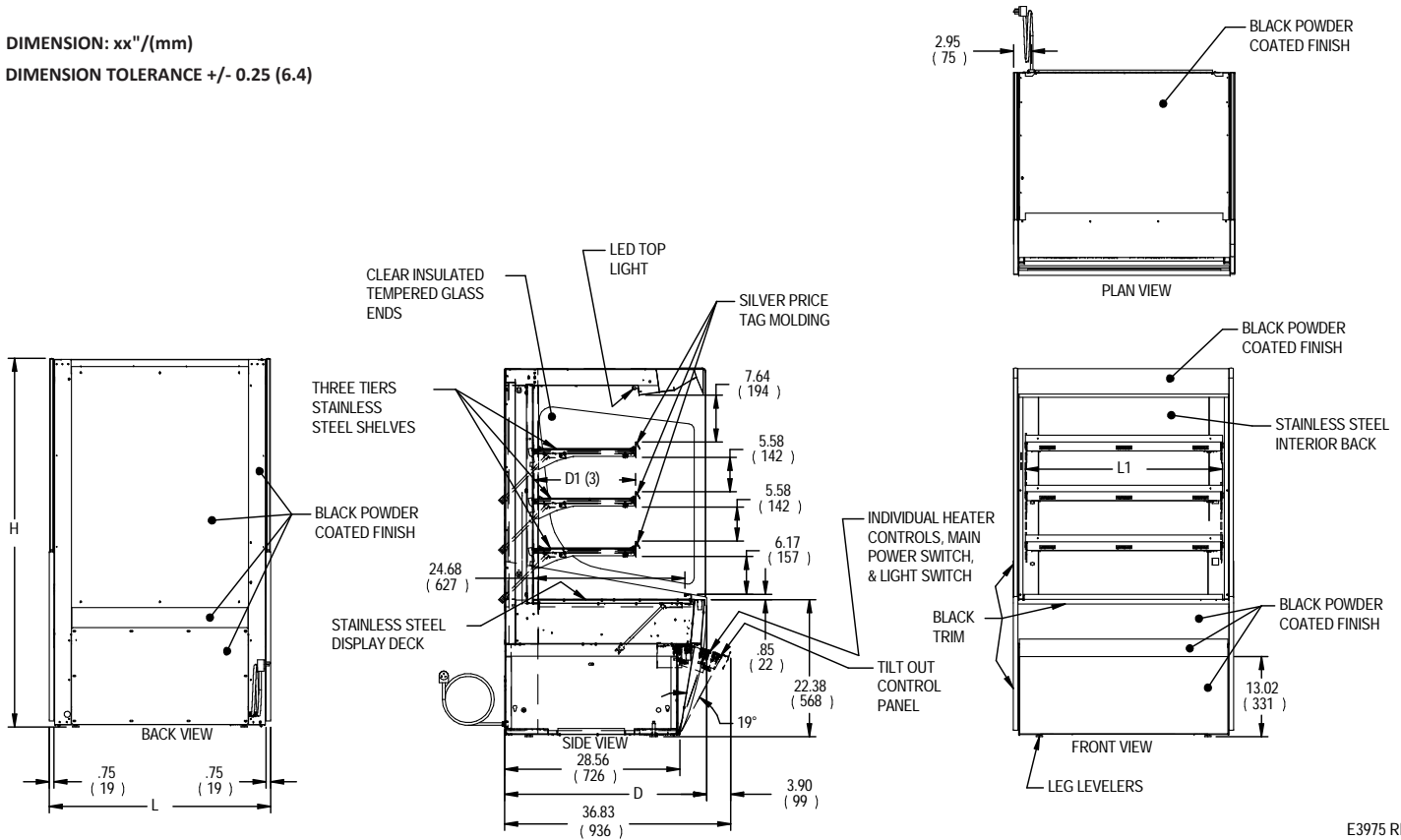
WARRANTY*
One year Parts and Labor
(U.S.A. and Canada)

Note: Information is subject to change at any time. Visit www.federalind.com for the most current specs.

AIA #	Vision Series - Straight End Self-Serve Heated Merchandiser - 60"
SIS #	Product Specifications

	Intended Product to Be Displayed	Warmest Avg Prod Temp °F/°C
All	Zone Intended Product To Be Displayed Packaged Refrigerated Products	160°F/(71.1°C)

DIMENSION: xx"/(mm)
DIMENSION TOLERANCE +/- 0.25 (6.4)



E3975 REV

MODEL	DIMENSIONS			SHELVING		INTERIOR VOLUME CU FT	STANDARD CONNECTION CORD & PLUG			SHIP WEIGHT	
	L	D	H	# OF TIERS	L1		D1	2 WIRE + GROUND			NEMA CORD & PLUG
	in	in	in		in		in	AMPS	MAX FUSE SIZE		
	mm	mm	mm		mm		mm			208-240/60/1	
VHSS2460S	24	33	60	3	32.25	16.61	9.07	6.9	15	NEMA 6-15P	310
	610	838	1524		819	422					141
VHSS3660S	36	33	60	3	43.25	16.61	13.98	11.1	15	NEMA 6-15P	355
	914	838	1524		1099	422					161
VHSS4860S	47.25	33	60	3	55.25	16.61	18.48	15.4	20	NEMA 6-20P	490
	1200	838	1524		1403	422					222

- Packaged food products placed in case must be pre-heated before placing in case.
- Due to continuing engineering improvements, specifications are subject to change without notice.



FEDERAL INDUSTRIES
 A Standex Company
 215 Federal Avenue, Belleville, Wisconsin 53508-9201

Phone: 800-356-4206
Fax: 608-424-3234
Email: Geninfo@Federalind.com
Website: Federalind.com