



The Signature of Quality

### FEDERAL INDUSTRIES

A Standex Company  
215 Federal Avenue  
Belleville, WI 53508-9201

Phone: 800-356-4206  
Fax: 608-424-3234  
Email: geninfo@federalind.com  
Website: www.federalind.com

Project Name: \_\_\_\_\_

Item #: \_\_\_\_\_

Model #: \_\_\_\_\_ Qty: \_\_\_\_\_

Approval: \_\_\_\_\_

AIA#

SIS#

## VERSATILE SERVICE TOP OVER REFRIGERATED SELF-SERVE COUNTER CASE

Designed for those customers looking for up-market styling for maximum visual appeal that will drive product sales. Height 32.625" for service counter installation.

\*Model SSRVS3633  
Shown with Optional  
Squared Ends and  
Stainless Steel  
Exterior For Under  
Counter Installation



Under Counter  
Installation Shown



Model SSRVS-3633 with standard Cured Front and optional shelf.

MODEL	DIMENSIONS ( Includes End Panels )
<input type="checkbox"/> SSRVS3633	36 x 34 x 32.625 (in) 914 x 864 x 838 (mm)
<input type="checkbox"/> SSRVS5033	50 x 34 x 32.625 (in) 1270 x 864 x 838 (mm)
<input type="checkbox"/> SSRVS5933	59 x 34 x 32.625 (in) 1499 x 864 x 838 (mm)
<input type="checkbox"/> SSRVS7733	77 x 34 x 32.625 (in) 1956 x 864 x 838 (mm)

### STANDARD FEATURES

#### Model Features

- All-steel base construction with black laminate exterior. Other finishes optional
- Black interior, glass end panels
- Easily accessible light and power switch
- Rear access to refrigeration system for quick and easy service
- Stainless steel top service area
- Adjustable leg levelers
- Black step riser

#### Refrigeration

- On-Demand PTC condensate evaporator provided for a totally self-contained system
- Electronic temperature controls maintain 38°-40°F
- Easy clean, rustproof insulated evaporator coil compartment
- Rear condensing unit air intake & discharge
- R449a refrigerant
- Thermometer

#### Shelving

- Two tiers adjustable metal shelves

#### Lighting

- LED top light

#### Agency Approvals

- UL and UL Sanitation listed
- DOE 2017 Compliant

### OPTIONAL ACCESSORIES

#### For Self-Service Refrigerated Base

- Special Exterior Finish
- Glass Shelf
- White or Stainless Interior (Including Shelves)
- Energy Saving Night Curtain
- Reflective End Glass
- Security Night Cover
- Front Condensing Unit Air Intake & Discharge
- Solid End Panels with Mirrored Interior
- Remote Refrigeration (R449a Refrigerant, EEV Included)

- Condensate Pump
- Recessed Casters
- Front Non-Refrigerated Display Merchandiser
- Cord & Plug
- Legs
- Squared Ends

#### Required Options for Under Counter Use:

- Recessed Casters
- Solid End Panels with Mirrored Interior
- Cord & Plug
- Squared Ends



WARRANTY\*  
One year Parts and Labor  
2nd thru 5th year part  
only service compressor  
(U.S.A and Canada)



Note: Information is subject to change at any time.  
Visit [www.federalind.com](http://www.federalind.com) for the most current specs.

Revised 02/18/2020

AIA#

# VERSATILE SERVICE TOP OVER REFRIGERATED SELF-SERVE COUNTER CASE

SIS#

## Product Specifications

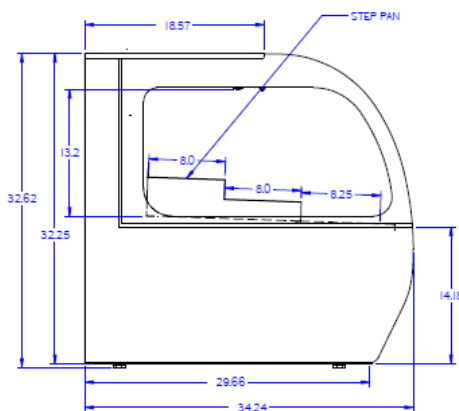
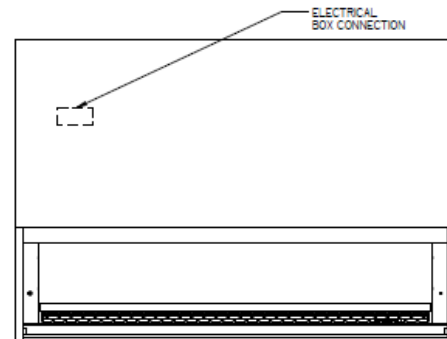
Intended Environment: Type I - Designed to operate in maximum ambient conditions of 75°F (24°C) and 55% relative humidity unless noted otherwise in system information below.

Zone	Intended Product To Be Displayed	Avg Prod Temp °F/°C
All	Packaged Refrigerated Products	38°F / (3.3°C)

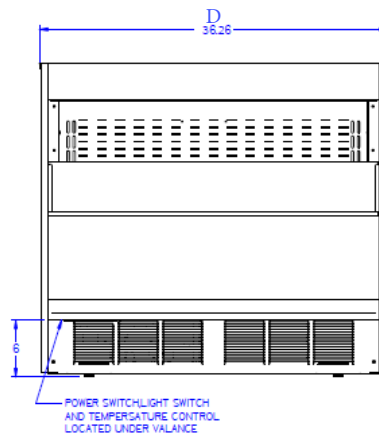
DIMENSION: xx"/(mm)

DIMENSION TOLERANCE +/- 0.25 (6.4)

Plan View



Side View



Back View



Front View

MODEL	DIMENSIONS				SHIPPING WHT		*SELF CONTAINED			OPTIONAL NEMA PLUG	*REMOTE WITH	
	L	D	H1	UNITS	LBS	KILO	VOLTAGE	AMPS	H.P.	CONFIG (SC)	VOLTAGE	AMPS
SSRVS3632	36	34	32.625	in.	450	204	120/60/1	14.3 AMPS	1/3 HP	NEMA 5-20P	120/60/1	8.5 AMPS
	914	864	829	mm.								
SSRVS5032	50	34	32.625	in.	620	281	120/60/1	14.3 AMPS	1/3 HP	NEMA 5-20P	120/60/1	8.5 AMPS
	1270	864	829	mm.								
SSRVS5932	59	34	32.625	in.	750	340	208-240/60/1	14.5 AMPS	3/4 HP	NEMA 6-20P	120/60/1	13 AMPS
	1499	864	829	mm.								
SSRVS7732	77	34	32.625	in.	980	445	208-240/60/1	14.5 AMPS	3/4 HP	NEMA 6-20P	120/60/1	13.5 AMPS
	1956	864	829	mm.								

- Refrigerated cases are designed to operate in a maximum of 75°F (24°C) ambient and 55% relative humidity.
- Due to continuing engineering improvements, specifications are subject to change without notice.



The Signature of Quality®

**FEDERAL INDUSTRIES**

A Standex Company

215 Federal Avenue, Belleville, Wisconsin 53508-9201

Phone: 800-356-4206

Fax: 608-424-3234

Email: [Geninfo@Federalind.com](mailto:Geninfo@Federalind.com)

Website: [Federalind.com](http://Federalind.com)