



*The Signature of Quality*

### FEDERAL INDUSTRIES

A Standex Company  
215 Federal Avenue  
Belleville, WI 53508-9201

Phone: 800-356-4206  
Fax: 608-424-3234  
Email: geninfo@federalind.com  
Website: www.federalind.com

Project Name: \_\_\_\_\_

Item #: \_\_\_\_\_

Model #: \_\_\_\_\_ Qty: \_\_\_\_\_

Approval: \_\_\_\_\_

AIA#

SIS#

## SERIES '90 REFRIGERATED DELI CASE

Series '90. The ultimate merchandiser with advanced styling for maximum visual appeal. Designed for continuous case line-ups.



SN6CD Shown

MODEL	DIMENSIONS ( Includes End Panels )
<input type="checkbox"/> SN4CD	48-1/4 x 37.75 x 48.50 (in) 1226 x 959 x 1232 (mm)
<input type="checkbox"/> SN6CD	72-1/4 x 37.75 x 48.50 (in) 1835 x 959 x 1232 (mm)
<input type="checkbox"/> SN8CD	96-1/4 x 37.75 x 48.50 (in) 2445 x 959 x 1232 (mm)

### STANDARD FEATURES

#### Model Features

- Lift-up pneumatic, cylinder-assisted, double-curve tempered front glass.
- Adjustable Leg Levelers
- Removable sliding rear doors and mezzanine shelf.
- Glass ends and rear doors. Rear doors are sloped for product access.
- All-welded base construction with a choice of six standard laminates on base. Other finishes optional.
- Easily accessible control panel with main power switch, light switch, digital thermometer, and adjustable temperature control.
- Base trim: specify white, black, or stainless.
- End glass trim: specify white or black.
- Double-bend tempered front glass reduces glare from outside lighting
- Case height is only 48" high allowing better interaction between the customer and the sales clerk.
- White display deck and mezzanine shelf. On the four and six-foot model, one full-length mezzanine shelf is provided. The eight-foot model comes with two four foot shelves.
- Rear wrapping board.
- General purpose receptacle provided on the back of the case for a cash register, scale, or slicer (Separate 15 Amp circuit required).

### OPTIONAL ACCESSORIES

- |  |   |
|--|---|
| <input type="checkbox"/> Special Base Finish                             | <input type="checkbox"/> Reflective End Glass                           |
| <input type="checkbox"/> Base Trim Specify White, Black, or Stainless    | <input type="checkbox"/> Mirrored Interior Ends With Laminated Exterior |
| <input type="checkbox"/> End Glass Trim Specify White or Black           | <input type="checkbox"/> Reflective Rear Doors                          |
| <input type="checkbox"/> Black or Stainless Steel Interior               | <input type="checkbox"/> Front Glass and Rear Door Locks                |
| <input type="checkbox"/> Glass or Stainless Steel Mezzanine Shelf        | <input type="checkbox"/> Top Service Shelf (Stainless Steel or Glass)   |
| <input type="checkbox"/> Additional Mezzanine Shelf With Light           | <input type="checkbox"/> Step Pan Holder or Riser                       |
| <input type="checkbox"/> Casters (includes cord)                         | <input type="checkbox"/> Scale Stand                                    |
| <input type="checkbox"/> Legs  | <input type="checkbox"/> Fish Case Package (Includes Ice Pan and Drain) |
| <input type="checkbox"/> LED Top Light & Below Mezzanine Shelf           | <input type="checkbox"/> Condensate Pump                                |
| <input type="checkbox"/> Cord and Plug (Six Foot)                        |   |
| <input type="checkbox"/> Front Package Shelf With or Without Light below |   |

#### Refrigeration

- Condensate evaporator for a totally self-contained system.
- Average case temperature of 38° to 40°F is maintained without condensation on the front glass.
- Over-sized coil and low-velocity fan system maintains high humidity and product freshness.
- Pull-out condensing unit for quick and easy service.
- R513a Refrigerant.

#### Lighting

- Fluorescent top light and mezzanine shelf lights. Lights are shielded and independently wired.

#### Agency Approvals

- UL Safety and UL Sanitation listed
- DOE 2017 Compliant



**WARRANTY\***  
One year Parts and Labor  
2nd thru 5th year part  
only service compressor  
(U.S.A and Canada)

Note: Information is subject to change at any time. Visit [www.federalind.com](http://www.federalind.com) for the most current specs.

AIA#

# SERIES '90 REFRIGERATED DELI CASE

SIS#

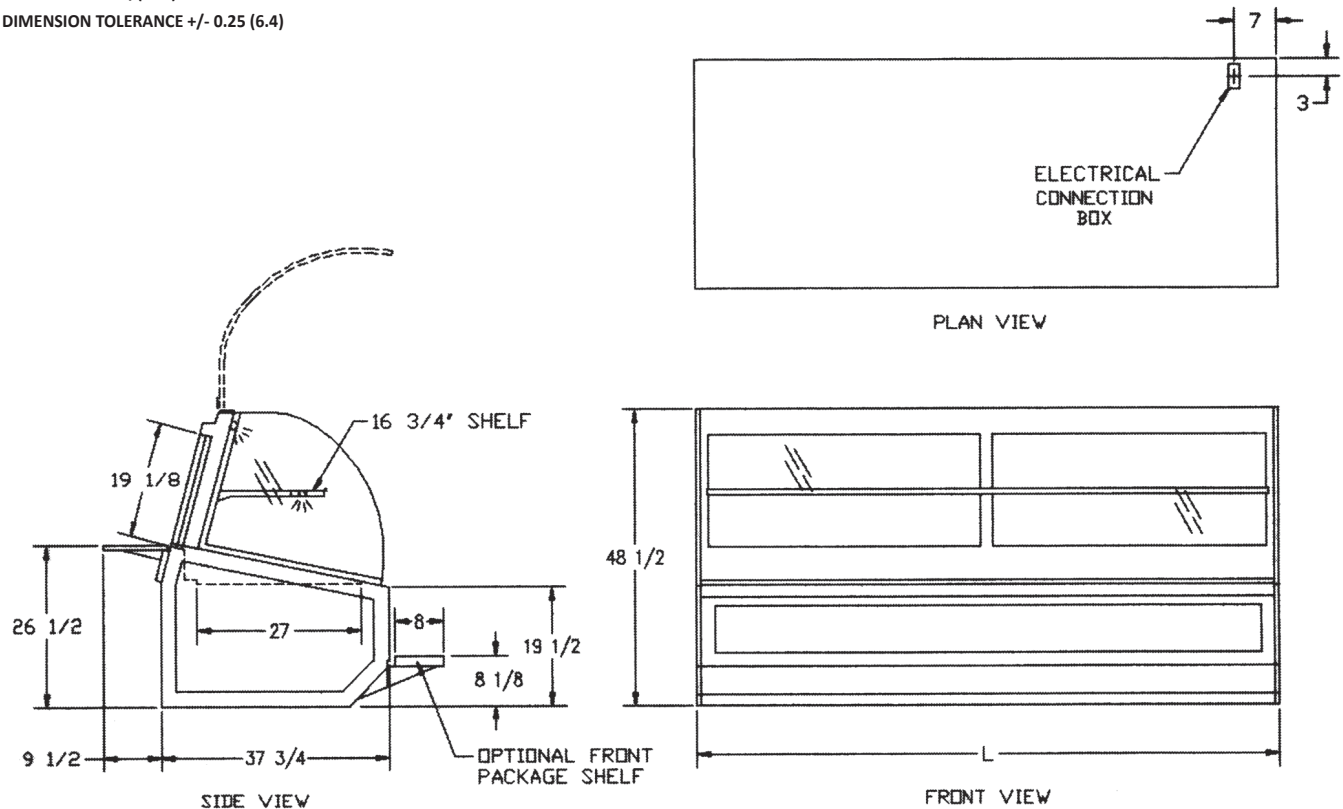
## Product Specifications

Intended Environment: Type I - Designed to operate in maximum ambient conditions of 75°F (24°C) and 55% relative humidity unless noted otherwise in system information below.

Zone	Intended Product To Be Displayed	Avg Prod Temp °F/°C
All	Packaged Refrigerated Products	38°F / (3.3°C)

DIMENSION: xx"/(mm)

DIMENSION TOLERANCE +/- 0.25 (6.4)



MODEL	DIMENSIONS				SHIPPING WHT		CAPACITY (STEP PANS)	*SELF CONTAINED 120/60/1 Permanently Connected	NEMA PLUG
	L	D	H	UNITS	LBS	KILO			
SN4CD	48.25	37.75	48.50	in.	770	349	3	1/2 HP - 12 AMPS	NEMA 5-15P
	1226	959	1232	mm.					
SN6CD	72.25	34.25	48.50	in.	1000	454	5	3/4 HP - 16 AMPS	NEMA 5-20P
	1835	959	1232	mm.					
SN8CD	96.5	34.25	48.50	in.	1265	574	7	3/4 HP - 16 AMPS	NEMA 5-20P
	2445	959	1232	mm.					

- If a GFCI circuit is required, a GFCI Breaker Must be used instead of GFCI receptacle.
- Refrigerated cases are designed to operate in a maximum of 75°F (24°C) ambient and 55% relative humidity.
- Due to continuing engineering improvements, specifications are subject to change without notice.  
\* Plus general purpose receptacle 120V, 15AMP. (Not provided with caster option.)



The Signature of Quality®

**FEDERAL INDUSTRIES**

A Standex Company

215 Federal Avenue, Belleville, Wisconsin 53508-9201

Phone: 800-356-4206

Fax: 608-424-3234

Email: Geninfo@Federalind.com

Website: Federalind.com